

# 8-bit latched/registered/pass-thru Futurebus+ universal interface transceiver

**FB2033**

## FEATURES

- 8-bit transceivers
- Latched, registered or straight through in either A to B or B to A path
- Drives heavily loaded backplanes with equivalent load impedances down to 10Ω.
- High drive 100mA BTL Open Collector drivers on B-port
- Allows incident wave switching in heavily loaded backplane buses
- Reduced BTL voltage swing produces less noise and reduces power consumption
- Built-in precision band-gap reference provides accurate receiver thresholds and improved noise immunity
- Compatible with IEEE Futurebus+ or proprietary BTL backplanes
- Each BTL driver has a dedicated Bus GND for a signal return
- Controlled output ramp and multiple GND pins minimize ground bounce
- Glitch-free power up/power down operation
- Low I<sub>CC</sub> current
- Tight output skew
- Supports live insertion

## QUICK REFERENCE DATA

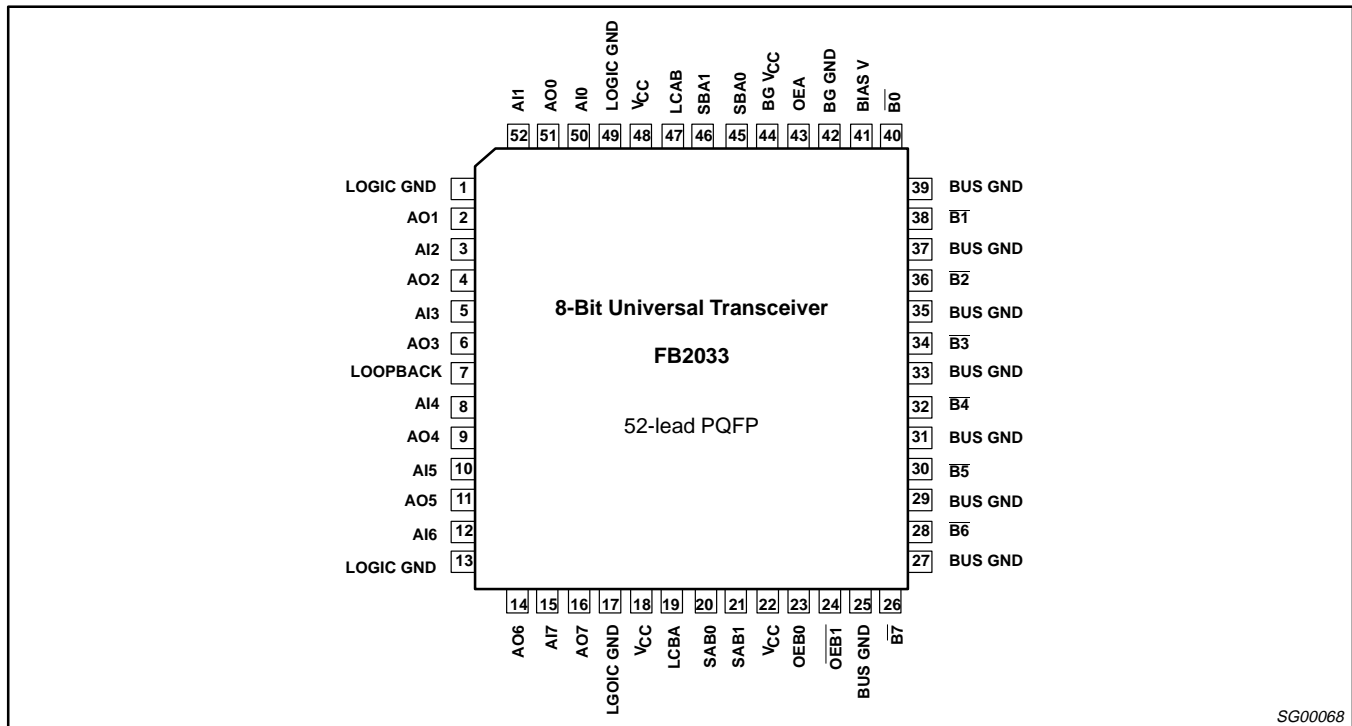
SYMBOL	PARAMETER	TYPICAL	UNIT
t <sub>PLH</sub> t <sub>PHL</sub>	Propagation delay A <sub>n</sub> to B <sub>n</sub>	3.0 3.0	ns
t <sub>PLH</sub> t <sub>PHL</sub>	Propagation delay B <sub>n</sub> to A <sub>On</sub>	4.3 4.1	ns
C <sub>OB</sub>	Output capacitance (B <sub>0</sub> – B <sub>n</sub> only)	6	pF
I <sub>OL</sub>	Output current (B <sub>0</sub> – B <sub>n</sub> only)	100	mA
I <sub>CC</sub>	Supply current	A <sub>n</sub> to B <sub>n</sub> (outputs Low or High)	24
		B <sub>n</sub> to A <sub>On</sub> (outputs Low)	45
		B <sub>n</sub> to A <sub>On</sub> (outputs High)	22

## ORDERING INFORMATION

PACKAGES	COMMERCIAL RANGE V <sub>CC</sub> = 5V±10%; T <sub>amb</sub> = 0°C to +70°C	DRAWING NUMBER
52-pin Plastic Quad Flat Pack (QFP)	FB2033BB	SOT379-1

NOTE: Thermal mounting or forced air is recommended

## PIN CONFIGURATION



SG00068

# 8-bit latched/registered/pass-thru Futurebus+ universal interface transceiver

FB2033

## DESCRIPTION

The FB2033 is an 8-bit transceiver featuring a split input (AI) and output (AO) bus on the TTL-level side.

The common I/O, open collector B port operates at BTL signal levels. The logic element for data flow in each direction is controlled by two pairs of mode select inputs (SBA0 and SBA1 for B-to-A, SAB0 and SAB1 for A-to-B). It can be configured as a buffer, a register, or a D-type latch.

When configured in the buffer mode, the inverse of the input data appears at the output port. In the flip-flop mode, data is stored on the rising edge of the appropriate clock input (LCAB or LCBA). In the latch mode, clock pins serve as transparent-High latch enables. Regardless of the mode, data is inverted from input to output.

Data flow in the B-to-A direction, regardless of the logic element selected, is further controlled by the Loopback input. When the Loopback input is High the output of the selected A-to-B logic element (not inverted) becomes the B-to-A input.

The 3-State AO port is enabled by asserting a High level on OEA. The B port has two output enables, OEB0 and  $\overline{\text{OEB1}}$ . Only when OEB0 is High and  $\overline{\text{OEB1}}$  is Low is the output enabled. When either OEB0 is Low or  $\overline{\text{OEB1}}$  is High, the B-port is inactive and is pulled to the level of the pull-up voltage. New data can be entered in the flip-flop and latched modes or can be retained while the associated outputs are in 3-State (AO port) or inactive (B port).

The B-port drivers are Low-capacitance open collectors with controlled ramp and are designed to sink 100mA. Precision band gap references on the B-port ensure very good noise margins by limiting the switching threshold to a narrow region centered at 1.55V.

The B-port interfaces to "Backplane Transceiver Logic" (see the IEEE 1194.1 BTL standard). BTL features low power consumption

by reducing voltage swing (1V p-p, between 1V and 2V) and reduced capacitive loading by placing an internal series diode on the drivers. BTL also provides incident wave switching, a necessity for high performance backplanes.

Output clamps are provided on the BTL outputs to further reduce switching noise. The " $V_{OH}$ " clamp reduces inductive ringing effects during a Low-to-High transition. The " $V_{OH}$ " clamp is always active. The other clamp, the "trapped reflection" clamp, clamps out ringing below the BTL 0.5V  $V_{OL}$  level. This clamp remains active for approximately 100ns after a High-to-Low transition.

To support live insertion, OEB0 is held Low during power on/off cycles to ensure glitch-free B port drivers. Proper bias for B port drivers during live insertion is provided by the BIAS V pin when at a 5V level while  $V_{CC}$  is Low. The BIAS V pin is a low current input which will reverse-bias the BTL driver series Schottky diode, and also bias the B port output pins to a voltage between 1.62V and 2.1V. This bias function is in accordance with IEEE BTL Standard 1194.1. If live insertion is not a requirement, the BIAS V pin should be tied to a  $V_{CC}$  pin.

The LOGIC GND and BUS GND pins are isolated inside the package to minimize noise coupling between the BTL and TTL sides. These pins should be tied to a common ground external to the package.

Each BTL driver has an associated BUS GND pin that acts as a signal return path and these BUS GND pins are internally isolated from each other. In the event of a ground return fault, a "hard" signal failure occurs instead of a pattern dependent error that may be very infrequent and impossible to trouble-shoot.

As with any high power device thermal considerations are critical. It is recommended that airflow (300lfpm) and/or thermal mounting be used to ensure proper junction temperature.

## PIN DESCRIPTION

SYMBOL	PIN NUMBER	TYPE	NAME AND FUNCTION
AI0 – AI7	50, 52, 3, 5, 8, 10, 12, 15	Input	Data inputs (TTL)
AO0 – AO7	51, 2, 4, 6, 9, 11, 14, 16	Output	3-State outputs (TTL)
$\overline{\text{B0}} - \overline{\text{B7}}$	40, 38, 36, 34, 32, 30, 28, 26	I/O	Data inputs/Open Collector outputs, High current drive (BTL)
OEB0	23	Input	Enables the B outputs when High
$\overline{\text{OEB1}}$	24	Input	Enables the B outputs when Low
OEA	43	Input	Enables the AO outputs when High
BUS GND	39, 37, 35, 33, 31, 29, 27, 25	GND	Bus ground (0V)
LOGIC GND	1, 13, 17, 49	GND	Logic ground (0V)
$V_{CC}$	18, 22, 48	Power	Positive supply voltage
BIAS V	41	Power	Live insertion pre-bias pin
BG $V_{CC}$	44	Power	Band Gap threshold voltage reference
BG GND	42	GND	Band Gap threshold voltage reference ground
SABn	20, 21	Input	Mode select from AI to $\overline{\text{B}}$
SBA $\overline{\text{n}}$	45, 46	Input	Mode select from $\overline{\text{B}}$ to AO
LCAB	47	Input	A-to-B clock/latch enable (transparent latch when High)
LCBA	19	Input	B-to-A clock/latch enable (transparent latch when High)
Loopback	7	Input	Enables loopback function when High (from AI $\overline{\text{n}}$ to AO $\overline{\text{n}}$ )

# 8-bit latched/registered/pass-thru Futurebus+ universal interface transceiver

FB2033

**FUNCTION TABLE**

MODE	INPUTS									OUTPUTS	
	AIn	$\overline{Bn}^*$	OEB0	$\overline{OEB1}$	OEA	LCAB	LCBA	SAB <sub>0</sub>	SBA <sub>0</sub>	AOn	$\overline{Bn}$
AIn to $\overline{Bn}$ thru mode	L	—	H	L	L	X	X	LL	XX	Z	H**
	H	—	H	L	L	X	X	LL	XX	Z	L
AIn to $\overline{Bn}$ transparent latch	L	—	H	L	L	H	X	HX	XX	Z	H**
	H	—	H	L	L	H	X	HX	XX	Z	L
AIn to $\overline{Bn}$ latch and read	l	—	H	L	L	↓	X	HX	XX	Z	H**
	h	—	H	L	L	↓	X	HX	XX	Z	L
AIn to $\overline{Bn}$ register	L	—	H	L	L	↑	X	LH	XX	Z	H**
	H	—	H	L	L	↑	X	LH	XX	Z	L
$\overline{Bn}$ outputs latched and read (preconditioned latch)	X	—	H	L	L	L	X	HX	XX	Z	latched data
$\overline{Bn}$ to AOn thru mode	X	L	L	H	H	X	X	XX	LL	H	input
	X	H	L	H	H	X	X	XX	LL	L	input
$\overline{Bn}$ to AOn transparent latch	X	L	L	H	H	X	H	XX	HX	H	input
	X	H	L	H	H	X	H	XX	HX	L	input
$\overline{Bn}$ to AOn latch and read	X	l	L	H	H	X	↓	XX	HX	H	input
	X	h	L	H	H	X	↓	XX	HX	L	input
$\overline{Bn}$ to AOn register	X	L	L	H	H	X	↑	XX	LH	H	input
	X	H	L	H	H	X	↑	XX	LH	L	input
AOn outputs latched and read (preconditioned latch)	X	X	L	H	H	X	L	XX	HX	latched data	X
Disable $\overline{Bn}$ outputs	X	X	L	X	X	X	X	XX	XX	X	H**
	X	X	X	H	X	X	X	XX	XX	X	H**
Disable AOn outputs	X	X	X	X	L	X	X	XX	XX	Z	X

**FUNCTION SELECT TABLE**

MODE SELECTED	SXX1	SXX0
Thru mode	L	L
Register mode	L	H
Latch mode	H	X

**NOTES:**

H = High voltage level

L = Low voltage level

h = High voltage level one set-up time prior to the High-to-Low LCXX transition

l = Low voltage level one set-up time prior to the High-to-Low LCXX transition

X = Don't care

Z = High-impedance (OFF) state

— = Input not externally driven

↑ = Low-to-High transition

↓ = High-to-Low transition

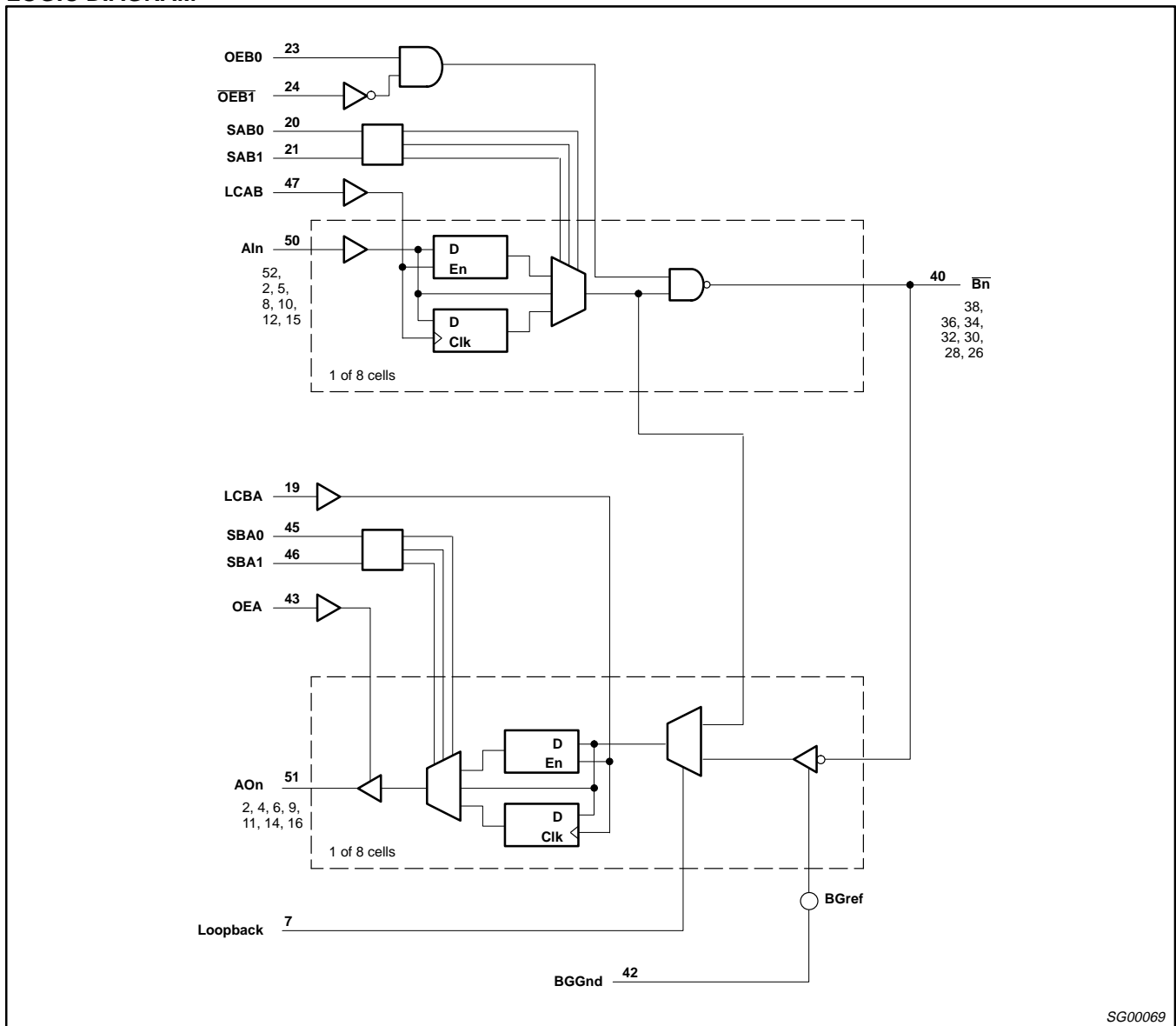
H\*\* = Goes to level of pull-up voltage

 $\overline{Bn}^*$  = Precaution should be taken to ensure B inputs do not float. If they do, they are equal to Low state.**NOTE:** In Loopback mode (Loopback = High), AIn inputs are routed to the AOn outputs. The  $\overline{Bn}$  inputs are blocked out.

# 8-bit latched/registered/pass-thru Futurebus+ universal interface transceiver

FB2033

## LOGIC DIAGRAM



SG00069

# 8-bit latched/registered/pass-thru Futurebus+ universal interface transceiver

FB2033

## ABSOLUTE MAXIMUM RATINGS

Operation beyond the limits set forth in this table may impair the useful life of the device. Unless otherwise noted these limits are over the operating free-air temperature range.

SYMBOL	PARAMETER		RATING	UNIT
$V_{CC}$	Supply voltage		-0.5 to +7.0	V
$V_{IN}$	Input voltage	All inputs except $\overline{B0} - \overline{Bn}$	-1.2 to +7.0	V
		$\overline{B0} - \overline{Bn}$	-1.2 to +3.5	
$I_{IN}$	Input current		-40 to +5.0	mA
$V_{OUT}$	Voltage applied to output in High output state		-0.5 to + $V_{CC}$	V
$I_{OUT}$	Current applied to output in Low output state	A00 – AOn	48	mA
		$\overline{B0} - \overline{Bn}$	200	
$T_{STG}$	Storage temperature		-65 to +150	°C

## RECOMMENDED OPERATING CONDITIONS

SYMBOL	PARAMETER	LIMITS			UNIT
		MIN	NOM	MAX	
$V_{CC}$	Supply voltage	4.5	5.0	5.5	V
$V_{IH}$	High-level input voltage	Except $\overline{B0} - \overline{Bn}$	2.0		V
		$\overline{B0} - \overline{Bn}$	1.62	1.55	
$V_{IL}$	Low-level input voltage	Except $\overline{B0} - \overline{Bn}$		0.8	V
		$\overline{B0} - \overline{Bn}$		1.47	
$I_{IK}$	Input clamp current	Except $\overline{B0} - \overline{Bn}$		-40	mA
		$\overline{B0} - \overline{Bn}$		-50	
$I_{OH}$	High-level output current	A00 – AOn		-3	mA
$I_{OL}$	Low-level output current	A00 – AOn		24	mA
		$\overline{B0} - \overline{Bn}$		100	
$I_{IA}$	Off device input current	Except $\overline{B0} - \overline{Bn}$ , $V_I = 0$ to 5.5V, $V_{CC} = 0V$		100	μA
$C_{OB}$	Output capacitance of B port		6	7	pF
$T_{amb}$	Operating free-air temperature range		0	+70	°C

# 8-bit latched/registered/pass-thru Futurebus+ universal interface transceiver

FB2033

## DC ELECTRICAL CHARACTERISTICS

Over recommended operating free-air temperature range unless otherwise noted.

SYMBOL	PARAMETER		TEST CONDITIONS <sup>1</sup>	LIMITS			UNIT
				MIN	TYP <sup>2</sup>	MAX	
$I_{OH}$	High level output current	$\overline{B0} - \overline{Bn}$	$V_{CC} = \text{MAX}, V_{IL} = \text{MAX}, V_{IH} = \text{MIN}, V_{OH} = 1.9\text{V}$			100	$\mu\text{A}$
$I_{OFF}$	Power-off output current	$\overline{B0} - \overline{Bn}$	$V_{CC} = 0.0\text{V}, V_{IL} = \text{MAX}, V_{IH} = \text{MIN}, V_{OH} = 1.9\text{V}$			100	$\mu\text{A}$
$V_{OH}$	High-level output voltage	$A00 - AOn$ <sup>4</sup>	$V_{CC} = \text{MIN}, V_{IL} = \text{MAX}, V_{IH} = \text{MIN}, I_{OH} = -3\text{mA}$	2.5	2.85		V
$V_{OL}$	Low-level output voltage	$A00 - AOn$ <sup>4</sup>	$V_{CC} = \text{MIN}, V_{IL} = \text{MAX}, V_{IH} = \text{MIN}, I_{OL} = 24\text{mA}$			0.5	V
		$\overline{B0} - \overline{Bn}$	$V_{CC} = \text{MIN}, V_{IL} = \text{MAX}, V_{IH} = \text{MIN}, I_{OL} = 100\text{mA}$	.75	1.0	1.15	
			$V_{CC} = \text{MIN}, V_{IL} = \text{MAX}, V_{IH} = \text{MIN}, I_{OL} = 4\text{mA}$	0.5			
$V_{IK}$	Input clamp voltage	Except $\overline{B0} - \overline{Bn}$	$V_{CC} = \text{MIN}, I_I = I_{IK}$			-0.5	V
		$\overline{B0} - \overline{Bn}$	$V_{CC} = \text{MIN}, I_I = I_{IK}$ <sup>6</sup>	0.3			
			$V_{CC} = \text{MIN}, I_I = -18\text{mA}$			-1.2	
$I_I$	Input current at maximum input voltage	Except $\overline{B0} - \overline{Bn}$	$V_{CC} = \text{MAX}, V_I = 0.0\text{V}$ or $5.5\text{V}$			$\pm 50$	$\mu\text{A}$
$I_{IH}$	High-level input current	Except $\overline{B0} - \overline{Bn}$	$V_{CC} = \text{MAX}, V_I = 2.7\text{V}, \overline{Bn} = AIn = 0\text{V}$			20	$\mu\text{A}$
		$\overline{B0} - \overline{Bn}$	$V_{CC} = \text{MAX}, V_I = 1.9\text{V}$			100	
			$V_{CC} = \text{MAX}, V_I = 3.5\text{V}$ <sup>5</sup>	100			mA
$I_{IL}$	Low-level input current	Except $\overline{B0} - \overline{Bn}$	$V_{CC} = \text{MAX}, V_I = 0.5\text{V}$			-20	$\mu\text{A}$
		$\overline{B0} - \overline{Bn}$	$V_{CC} = \text{MAX}, V_I = 0.75\text{V}$			-100	
$I_{OZH}$	Off-state output current	$A00 - AOn$	$V_{CC} = \text{MAX}, V_O = 2.7\text{V}$			50	$\mu\text{A}$
$I_{OZL}$	Off-state output current	$A00 - AOn$	$V_{CC} = \text{MAX}, V_O = 0.5\text{V}$			-50	$\mu\text{A}$
$I_{OS}$	Short-circuit output current <sup>3</sup>	$A00 - AOn$ only	$V_{CC} = \text{MAX}, V_O = 0.0\text{V}$	-45		-150	mA
$I_{CC}$	Supply current (total)	$AIn$ to $\overline{Bn}$	$V_{CC} = \text{MAX}$ , outputs Low or High		24	50	mA
		$\overline{Bn}$ to $AOn$	$V_{CC} = \text{MAX}$ , outputs Low		45	75	
		$\overline{Bn}$ to $AOn$	$V_{CC} = \text{MAX}$ , outputs High		22	44	

### NOTES:

- For conditions shown as MIN or MAX, use the appropriate value specified under recommended operation conditions for the applicable type.
- All typical values are at  $V_{CC} = 5\text{V}$ ,  $T_{amb} = 25^\circ\text{C}$ .
- Not more than one output should be shorted at a time. For testing  $I_{OS}$ , the use of high-speed test apparatus and/or sample-and-hold techniques are preferable in order to minimize internal heating and more accurately reflect operational values. Otherwise, prolonged shorting of a High output may raise the chip temperature well above normal and thereby cause invalid readings in other parameter tests. In any sequence of parameter tests,  $I_{OS}$  tests should be performed last.
- Due to test equipment limitations, actual test conditions are  $V_{IH} = 1.8\text{V}$  and  $V_{IL} = 1.3\text{V}$  for the B side.
- For B port input voltage between 3 and 5 volts  $I_{IH}$  will be greater than  $100\mu\text{A}$ , but the parts will continue to function normally.
- $\overline{B0} - \overline{B7}$  clamps remain active for a minimum of 80ns following a High-to-Low transition.

# 8-bit latched/registered/pass-thru Futurebus+ universal interface transceiver

FB2033

## LIVE INSERTION SPECIFICATIONS

SYMBOL	PARAMETER	LIMITS			UNIT
		MIN	NOM	MAX	
V <sub>BIASV</sub>	Bias pin voltage	V <sub>CC</sub> = 0 to 5.25V, $\overline{Bn}$ = 0 to 2.0V			V
I <sub>BIASV</sub>	Bias pin DC current	V <sub>CC</sub> = 0 to 4.75V, $\overline{Bn}$ = 0 to 2.0V, Bias V = 4.5 to 5.5V			mA
		V <sub>CC</sub> = 4.5 to 5.5V, $\overline{Bn}$ = 0 to 2.0V, Bias V = 4.5 to 5.5V			μA
V $\overline{Bn}$	Bus voltage during pre-bias	$\overline{B0} - \overline{B8} = 0V$ , Bias V = 5.0V			V
I <sub>LM</sub>	Fall current during pre-bias	$\overline{B0} - \overline{B8} = 2V$ , Bias V = 4.5 to 5.5V			μA
I <sub>HM</sub>	Rise current during pre-bias	$\overline{B0} - \overline{B8} = 1V$ , Bias V = 4.5 to 5.5V			μA
I $\overline{Bn}$ PEAK	Peak bus current during insertion	V <sub>CC</sub> = 0 to 5.25V, $\overline{B0} - \overline{B8} = 0$ to 2.0V, Bias V = 4.5 to 5.5V, OEBO = 0.8V, t <sub>r</sub> = 2ns			mA
I <sub>OLOFF</sub>	Power up current	V <sub>CC</sub> = 0 to 5.25V, OEBO = 0.8V			μA
		V <sub>CC</sub> = 0 to 2.2V, OEBO = 0 to 5V			100
t <sub>GR</sub>	Input glitch rejection	V <sub>CC</sub> = 5.0V			ns

## AC ELECTRICAL CHARACTERISTICS

SYMBOL	PARAMETER	TEST CONDITION	A PORT LIMITS					UNIT
			T <sub>amb</sub> = +25°C, V <sub>CC</sub> = 5V, C <sub>L</sub> = 50pF, R <sub>L</sub> = 500Ω			T <sub>amb</sub> = 0 to 70°C, V <sub>CC</sub> = 5V±10%, C <sub>L</sub> = 50pF, R <sub>L</sub> = 500Ω		
			MIN	TYP	MAX	MIN	MAX	
f <sub>MAX</sub>	Maximum clock frequency	Waveform 4	100	150		100		MHz
t <sub>PLH</sub> t <sub>PHL</sub>	Propagation delay (thru mode) $\overline{Bn}$ to AOn	Waveform 1, 2	2.2 2.0	4.3 4.1	6.0 6.0	2.0 1.8	7.0 7.0	ns
t <sub>PLH</sub> t <sub>PHL</sub>	Propagation delay (transparent latch) $\overline{Bn}$ to AOn	Waveform 1, 2	1.5 2.4	4.5 4.4	6.5 6.5	1.0 2.0	7.5 7.5	ns
t <sub>PLH</sub> t <sub>PHL</sub>	Propagation delay LCBA to AOn	Waveform 1, 2	2.0 2.2	3.8 4.3	5.5 6.0	1.8 1.7	6.0 6.5	ns
t <sub>PLH</sub> t <sub>PHL</sub>	Propagation delay SBAn to AOn	Waveform 1, 2	1.4 1.4	2.9 3.1	5.0 5.5	1.0 1.0	6.0 6.5	ns
t <sub>PLH</sub> t <sub>PHL</sub>	Propagation delay (Loopback mode) AIn to AOn	Waveform 1, 2	2.0 2.0	3.8 3.9	6.0 6.0	2.8 2.3	7.0 7.0	ns
t <sub>PLH</sub> t <sub>PHL</sub>	Propagation delay (Loopback mode) Loopback to AOn	Waveform 1, 2	1.2 1.2	3.4 3.2	5.0 5.5	1.0 1.0	6.0 6.5	ns
t <sub>PZH</sub> t <sub>PZL</sub>	Output enable time from High or Low OEA to AOn	Waveform 5, 6	1.0 2.6	3.1 4.0	5.1 5.5	1.0 2.4	5.5 5.8	ns
t <sub>PHZ</sub> t <sub>PLZ</sub>	Output disable time to High or Low OEA to AOn	Waveform 5, 6	1.0 1.0	3.5 3.3	5.0 4.6	1.7 1.7	5.6 5.2	ns
t <sub>TLH</sub> t <sub>THL</sub>	Output transition time, AOn Port 10% to 90%, 90% to 10%	Test Circuit and Waveforms				2.0 2.0	5.0 5.0	ns
t <sub>SK(o)</sub>	Output to output skew, A port <sup>1</sup>	Waveform 3		0.5	1.0		1.5	ns
t <sub>SK(p)</sub>	Pulse skew 2  t <sub>PHL</sub> - t <sub>PLH</sub>   <sub>MAX</sub>	Waveform 2		0.3	1.0		1.5	ns

### NOTES:

- $\overline{Bn}$  to AOn propagation delays are extended for 5 nanoseconds following B port excursions above 3.1 volts.
- |t<sub>PNactual</sub> - t<sub>PMactual</sub>| for any data input to output path compared to any other data input to output path where N and M are either LH or HL. Skew times are valid only under same test conditions (temperature, V<sub>CC</sub>, loading, etc.).
- t<sub>SK(p)</sub> is used to quantify duty cycle characteristics. In essence it compares the input signal duty cycle to the corresponding output signal duty cycle (50MHz input frequency and 50% duty cycle, tested on data paths only).

8-bit latched/registered/pass-thru  
Futurebus+ universal interface transceiver

FB2033

AC ELECTRICAL CHARACTERISTICS (Continued)

SYMBOL	PARAMETER	TEST CONDITION	B PORT LIMITS					UNIT
			T <sub>amb</sub> = +25°C, V <sub>CC</sub> = 5V, C <sub>D</sub> = 30pF, R <sub>U</sub> = 9Ω			T <sub>amb</sub> = 0 to 70°C, V <sub>CC</sub> = 5V±10%, C <sub>D</sub> = 30pF, R <sub>U</sub> = 9Ω		
			MIN	TYP	MAX	MIN	MAX	
t <sub>PLH</sub> t <sub>PHL</sub>	Propagation delay (thru mode) AIn to Bn	Waveform 1, 2	1.2 1.0	2.9 2.9	4.3 4.4	1.0 1.0	4.8 4.6	ns
t <sub>PLH</sub> t <sub>PHL</sub>	Propagation delay (transparent latch) AIn to Bn	Waveform 1, 2	1.4 1.0	3.1 3.3	4.5 4.8	1.0 1.0	5.1 5.1	ns
t <sub>PLH</sub> t <sub>PHL</sub>	Propagation delay LCAB to Bn	Waveform 1, 2	2.7 2.2	4.4 5.1	5.7 6.6	2.4 2.0	6.4 7.1	ns
t <sub>PLH</sub> t <sub>PHL</sub>	Propagation delay SABn to Bn	Waveform 1, 2	1.8 1.0	3.6 3.3	5.0 4.9	1.4 1.0	5.7 5.2	ns
t <sub>PZH</sub> t <sub>PZL</sub>	Enable/disable time OEB0 or OEB1 to Bn	Waveform 1, 2	1.4 1.0	3.0 3.1	4.5 5.0	1.0 1.0	5.0 5.6	ns
ΔV/Δt	Output transition rate, Bn Port 20% to 80%, 80% to 20%	Test Circuit and Waveforms				0.4	1.2	V/ns
t <sub>SK(o)</sub>	Output to output skew, B port <sup>1</sup>	Waveform 3		0.8	1.5		2.0	ns
t <sub>SK(p)</sub>	Pulse skew <sup>2</sup>  t <sub>PHL</sub> - t <sub>PLH</sub>   <sub>MAX</sub>	Waveform 2		0.3	1.5			ns
SYMBOL	PARAMETER	TEST CONDITION	R <sub>U</sub> = 16.5Ω			R <sub>U</sub> = 16.5Ω		UNIT
t <sub>PLH</sub> t <sub>PHL</sub>	Propagation delay (thru mode) AIn to Bn	Waveform 1, 2	1.2 1.0	3.0 3.0	4.4 4.5	1.0 1.0	4.9 4.7	ns
t <sub>PLH</sub> t <sub>PHL</sub>	Propagation delay (transparent latch) AIn to Bn	Waveform 1, 2	1.4 1.0	3.2 3.4	4.6 4.9	1.0 1.0	5.2 5.2	ns
t <sub>PLH</sub> t <sub>PHL</sub>	Propagation delay LCAB to Bn	Waveform 1, 2	2.7 2.2	4.5 5.2	5.8 6.7	2.4 2.0	6.5 7.2	ns
t <sub>PLH</sub> t <sub>PHL</sub>	Propagation delay SABn to Bn	Waveform 1, 2	1.8 1.0	3.7 3.4	5.1 5.0	1.4 1.0	5.8 5.3	ns
t <sub>PZH</sub> t <sub>PZL</sub>	Enable/disable time OEB0 or OEB1 to Bn	Waveform 1, 2	1.4 1.0	3.1 3.2	4.6 5.1	1.0 1.0	5.1 5.7	ns
ΔV/Δt	Output transition rate, Bn Port 20% to 80%, 80% to 20%	Test Circuit and Waveforms				0.2	0.6	V/ns
t <sub>SK(o)</sub>	Output to output skew, B port <sup>1</sup>	Waveform 3		0.5	1.0		1.5	ns
t <sub>SK(p)</sub>	Pulse skew <sup>2</sup>  t <sub>PHL</sub> - t <sub>PLH</sub>   <sub>MAX</sub>	Waveform 2		0.3	1.0		1.5	ns

NOTES:

1. |t<sub>PN</sub>actual - t<sub>PM</sub>actual| for any data input to output path compared to any other data input to output path where N and M are either LH or HL. Skew times are valid only under same test conditions (temperature, V<sub>CC</sub>, loading, etc.).
2. t<sub>SK(p)</sub> is used to quantify duty cycle characteristics. In essence it compares the input signal duty cycle to the corresponding output signal duty cycle (50MHz input frequency and 50% duty cycle, tested on data paths only).



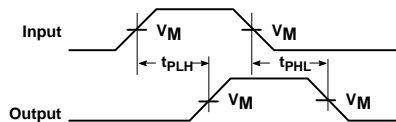
# 8-bit latched/registered/pass-thru Futurebus+ universal interface transceiver

FB2033

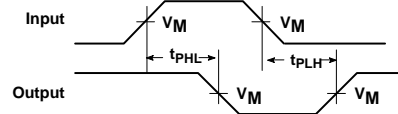
## AC SETUP REQUIREMENTS

SYMBOL	PARAMETER	TEST CONDITION	LIMITS					UNIT
			$T_{amb} = +25^{\circ}\text{C}, V_{CC} = 5\text{V}$			$T_{amb} = 0 \text{ to } 70^{\circ}\text{C}, V_{CC} = 5\text{V} \pm 10\%$		
			$C_L = 50\text{pF (A side)} / C_D = 30\text{pF (B side)}$ $R_L = 500\Omega \text{ (A side)} / R_U = 9\Omega \text{ (B side)}$					
			MIN	TYP	MAX	MIN	MAX	
$t_s(H)$ $t_s(L)$	Setup time AIn to LCAB or $\overline{Bn}$ to LCBA	Waveform 4	3.0 3.0			4.0 4.0	ns	
$t_h(H)$ $t_h(L)$	Hold time AIn to LCAB or $\overline{Bn}$ to LCBA	Waveform 4	1.0 1.0			1.3 1.3	ns	
$t_w(H)$ $t_w(L)$	Pulse width, High or Low LCAB or LCBA	Waveform 4	3.0 3.0			4.0 4.0	ns	
SYMBOL	PARAMETER	TEST CONDITION	$C_L = 50\text{pF (A side)} / C_D = 30\text{pF (B side)}$ $R_L = 500\Omega \text{ (A side)} / R_U = 16.5\Omega \text{ (B side)}$					UNIT
$t_s(H)$ $t_s(L)$	Setup time AIn to LCAB or $\overline{Bn}$ to LCBA	Waveform 4	3.0 3.0			4.0 4.0	ns	
$t_h(H)$ $t_h(L)$	Hold time AIn to LCAB or $\overline{Bn}$ to LCBA	Waveform 4	1.0 1.0			1.3 1.3	ns	
$t_w(H)$ $t_w(L)$	Pulse width, High or Low LCAB or LCBA	Waveform 4	3.0 3.0			4.0 4.0	ns	

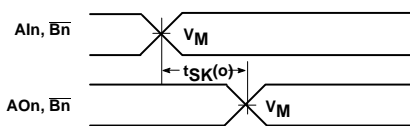
## AC WAVEFORMS



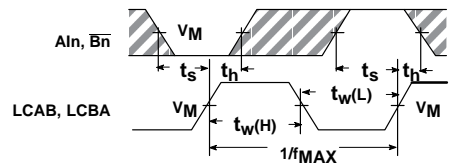
Waveform 1. Propagation Delay for Data or Output Enable to Output



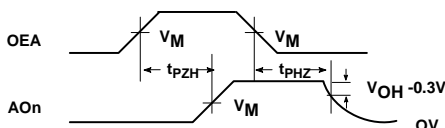
Waveform 2. Propagation Delay for Data or Output Enable to Output



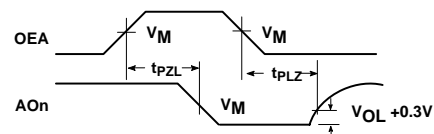
Waveform 3. Output to Output Skew



Waveform 4. Setup and Hold Times, Pulse Widths and Maximum Frequency



Waveform 5. 3-State Output Enable Time to High Level and Output Disable Time from High Level



Waveform 6. 3-State Output Enable Time to Low Level and Output Disable Time from Low Level

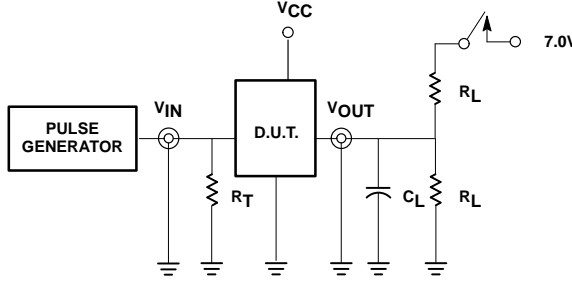
NOTE: The shaded areas indicate when the input is permitted to change for predictable output performance.

SG00070

# 8-bit latched/registered/pass-thru Futurebus+ universal interface transceiver

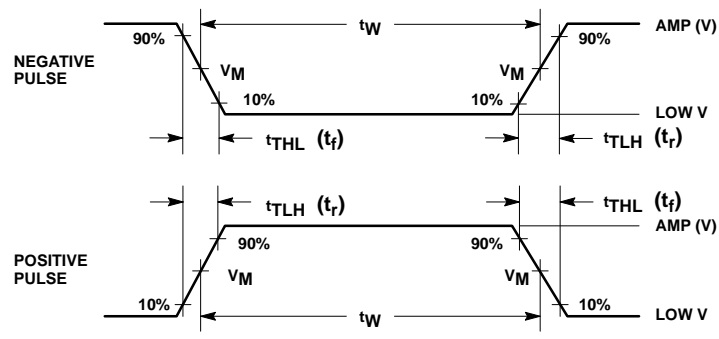
FB2033

## TEST CIRCUIT AND WAVEFORMS



**Test Circuit for 3-State Outputs on A Port**

The circuit shows a Pulse Generator connected to the input (VIN) of a D.U.T. through a termination resistor (RT). The output (VOUT) is connected to a load resistor (RL) and a load capacitor (CL). A switch is connected to the output through another load resistor (RL) and is controlled by a 7.0V signal. The supply voltage is VCC.



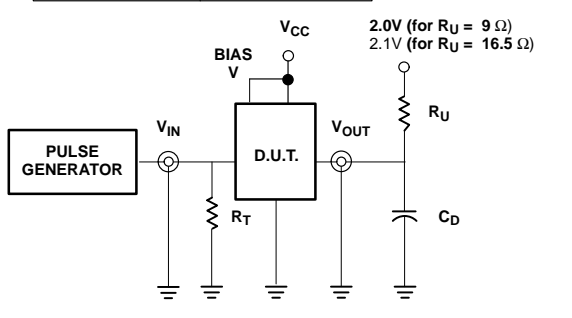
**Input Pulse Definitions**

VM = 1.55V for  $\overline{Bn}$ , VM = 1.5V for all others.

The waveforms show a negative pulse (top) and a positive pulse (bottom). Key parameters are labeled: tW (pulse width), tTHL (tr) (fall time), tTLH (tr) (rise time), and VM (voltage levels at 10% and 90% points).

**SWITCH POSITION**

TEST	SWITCH
tPLZ, tPZL	closed
All other	open



**Test Circuit for Outputs on B Port**

The circuit shows a Pulse Generator connected to the input (VIN) of a D.U.T. through a termination resistor (RT). The output (VOUT) is connected to a pull-up resistor (RU) and a load capacitor (CD). A BIAS V signal is applied to the D.U.T. The supply voltage is VCC. Specific values for RU are provided: 2.0V for RU = 9Ω and 2.1V for RU = 16.5Ω.

Family FB+	INPUT PULSE REQUIREMENTS					
	Amplitude	Low V	Rep. Rate	tW	tTLH	tTHL
A Port	3.0V	0.0V	1MHz	500ns	2.5ns	2.5ns
B Port	2.0V	1.0V	1MHz	500ns	2.0ns	2.0ns

**DEFINITIONS:**  
 RL = Load Resistor; see AC CHARACTERISTICS for value.  
 CL = Load capacitance includes jig and probe capacitance; see AC CHARACTERISTICS for value.  
 RT = Termination resistance should be equal to ZOUT of pulse generators.  
 CD = Load capacitance includes jig and probe capacitance; see AC CHARACTERISTICS for value.  
 RU = Pull up resistor; see AC CHARACTERISTICS for value.

SG00063