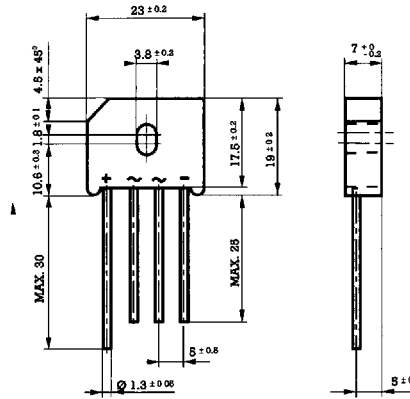


## FAGOR ELECTRONICS

## 4 Amp. Silicon Bridge Rectifiers in Plastic Case

T-23-05

<p>Dimensions in mm.</p> 	<p>Voltage 50 to 1.000 V.</p>
	<p>Current 4.0 A.</p> <ul style="list-style-type: none"> <li>• In process of evaluation UL 1449</li> <li>• Low Cost</li> <li>• Terminals: Radial in-line</li> <li>• Lead and polarity identifications</li> <li>• Ideal for printed circuit board (P.C.B.)</li> <li>• Case: Molded Plastic</li> <li>• The plastic material carries U/L recognition 94 V-0</li> </ul>

## Maximum Ratings, in accordance with IEC publication No. 134

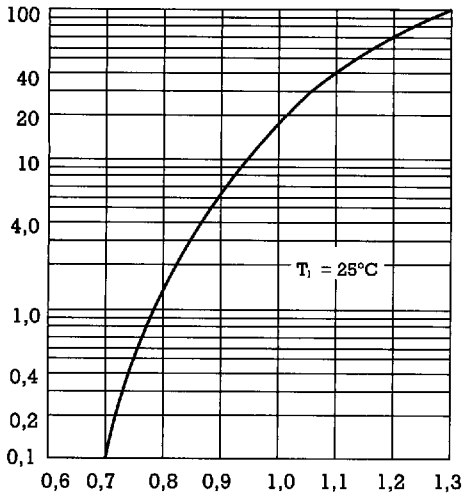
		FBU 4A	FBU 4B	FBU 4D	FBU 4G	FBU 4J	FBU 4K	FBU 4M
$V_{RRM}$	Peak recurrent reverse voltage (V)	50	100	200	400	600	800	1000
$I_{F(AV)}$	Forward current at $T_{amb} = 100\text{ }^{\circ}\text{C}$	4.0 A						
$I_{FSM}$	10 ms. peak forward surge current	200 A						
$T_j$	Max. operating temperature	+ 150 $^{\circ}\text{C}$						
$T_{stg}$	Storage temperature range	- 55 to + 150 $^{\circ}\text{C}$						

Electrical Characteristics at  $T_{amb} = 25\text{ }^{\circ}\text{C}$ 

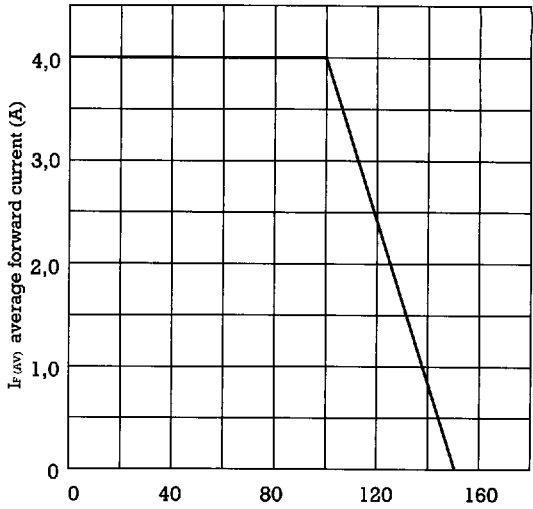
$V_F$	Max. forward voltage drop per element at $I_F = 4\text{ A}$	1 V
$I_R$	Max. reverse current per element at $V_{RRM}$	10 $\mu\text{A}$
$R_{th(j-a)}$	Thermal resistance junction-ambient on PCB	20 $^{\circ}\text{C/W}$
$R_{th(j-c)}$	Thermal resistance junction-case	8 $^{\circ}\text{C/W}$

FAGOR ELECTRONICS

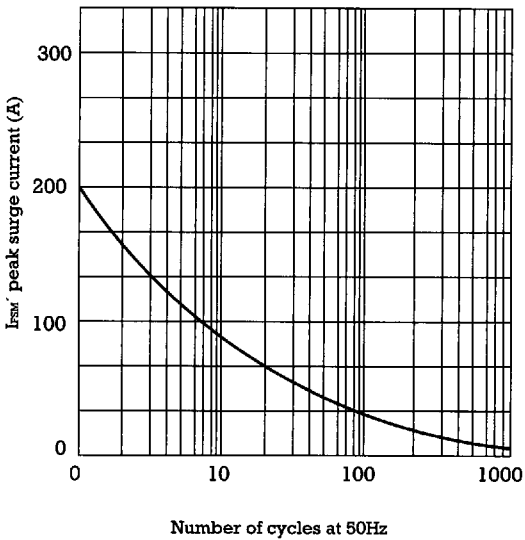
Characteristic Curves



$V_f$ : instantaneous forward voltage (V)



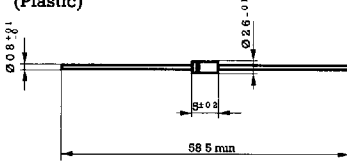
$T_{amb}$ , ambient temperature ( $^\circ\text{C}$ )



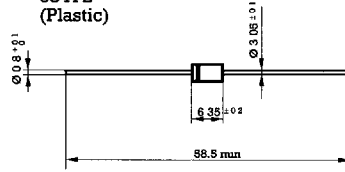
**Package Outlines**

Dimensions in mm.

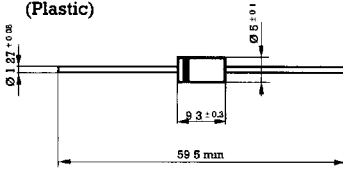
**1** DO-41  
(Plastic)



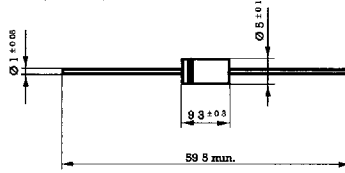
**2** DO-15  
F-126  
58 A 2  
(Plastic)



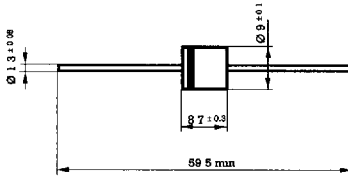
**3** DO-27 A  
DO-201 AD  
(Plastic)



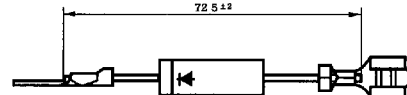
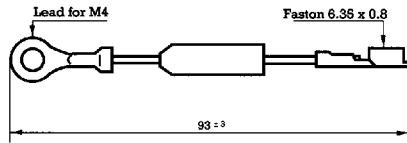
**4** DO-201 AE  
(Plastic)



**5** P-6  
(Plastic)

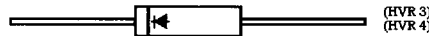
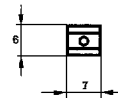
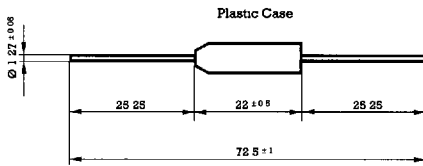


**7**

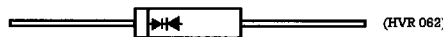


Suffix E1

**6**

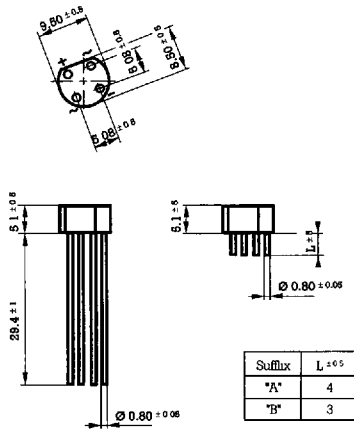


(HVR 3)  
(HVR 4)

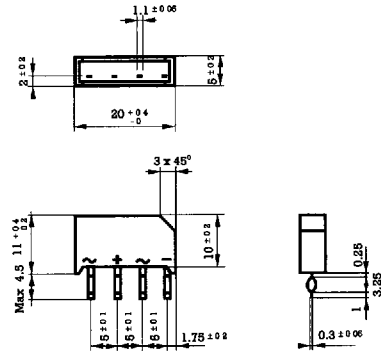


(HVR 062)

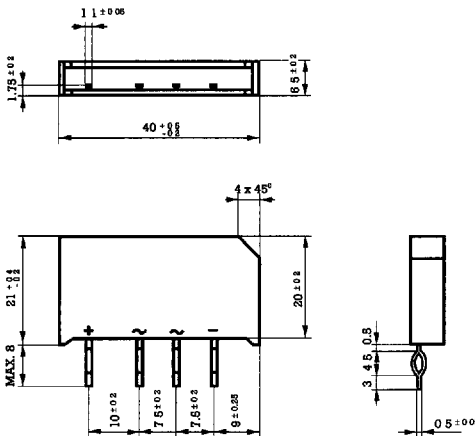
8



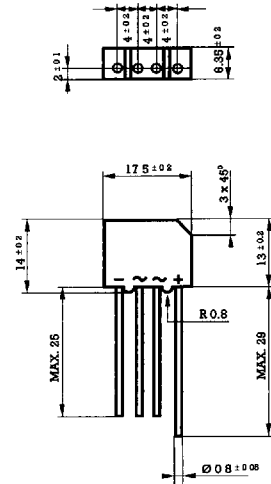
9



10



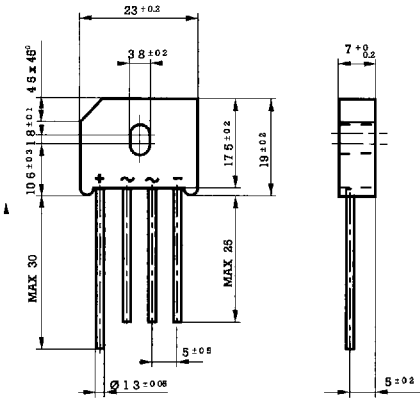
11



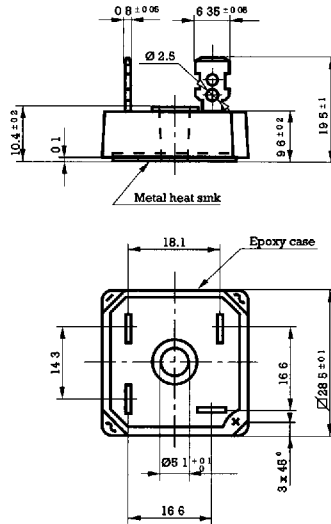
Package Outlines

Dimensions in mm.

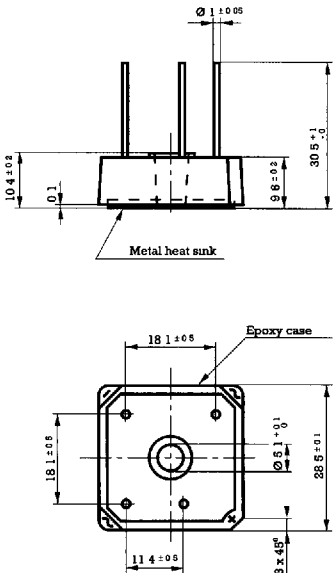
12



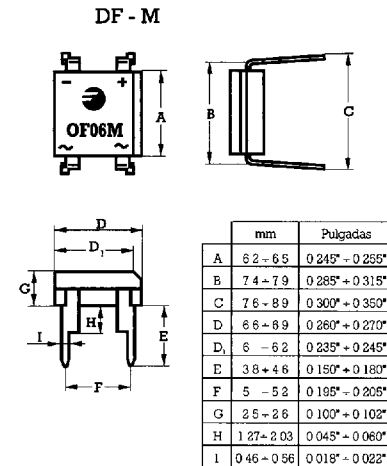
13



14



15

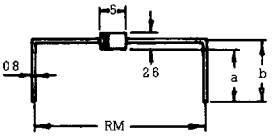
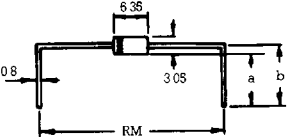
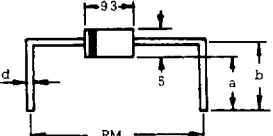
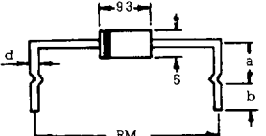
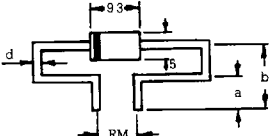
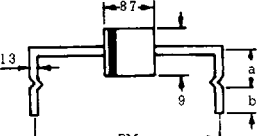




**Standard lead forming specifications**

**Dimensions in mm.**

Plastic Cases

DO-41 	Type	Dimensions				
		a	b	RM		
		C2-3	3 ± 0.5	43 ± 0.5	10 ± 0.5	
		C2-5	10 ± 0.5	113 ± 0.5	10 ± 0.5	
	C2-8	4 ± 0.5	53 ± 0.5	10 ± 0.5		
DO-15 	Type	Dimensions				
		a	b	RM		
		C2-3	3 ± 0.5	45 ± 0.5	10 ± 0.5	
		C2-5	10 ± 0.5	115 ± 0.5	10 ± 0.5	
	C2-8	4 ± 0.5	55 ± 0.5	10 ± 0.5		
DO-201AD DO-27A (d = 1.27) 	DO-201AE (d = 1)	Type	Dimensions			
			a	b	RM	
			C2-1	35 ± 0.5	6 ± 0.5	15 ± 0.5
			C2-2	4 ± 0.5	65 ± 0.5	15 ± 0.5
			C2-4	7.5 ± 0.3	10 ± 0.3	17.8 ± 0.15
			C2-6	3.5 ± 0.5	6 ± 0.5	17.5 ± 0.5
			C2-7	4.5 ± 0.5	7 ± 0.5	21 ± 0.5
			C2-11	4.5 ± 0.5	7 ± 0.5	17.5 ± 0.5
			C2-12	12.5 ± 0.5	15 ± 0.5	17.5 ± 0.5
			C2-13	16 ± 0.5	18.5 ± 0.5	15.2 ± 0.5
			C2-14	7.5 ± 0.5	10 ± 0.5	15 ± 0.5
			C2-17	4 ± 0.5	8.5 ± 0.5	20 ± 0.5
			DO-201AD DO-27A (d = 1.27) 	DO-201AE (d = 1)	Type	Dimensions
a	b	RM				
C6-1	10 ± 0.5	5 ± 0.5				15.2 ± 0.5
C6-2	10 ± 0.5	5 ± 0.5				17.5 ± 0.5
C6-3	7 ± 0.5	5 ± 0.5				21 ± 0.5
C6-4	13.5 ± 0.5	5 ± 0.5				15.2 ± 0.5
	C6-5	10 ± 0.5	5 ± 0.5	20 ± 0.5		
DO-201AD DO-27A (d = 1.27) 	DO-201AE (d = 1)	Type	Dimensions			
			a	b	RM	
	C4-2	4.5 ± 0.3	10.5 ± 0.3	7.5 ± 0.5		
P-6 	Type	Dimensions				
		a	b	RM		
		C6-1	10 ± 0.5	5 ± 0.5	15.2 ± 0.5	
		C6-2	10 ± 0.5	5 ± 0.5	17.5 ± 0.5	
		C6-3	7 ± 0.5	5 ± 0.5	21 ± 0.5	
	C6-4	13.5 ± 0.5	5 ± 0.5	15.2 ± 0.5		