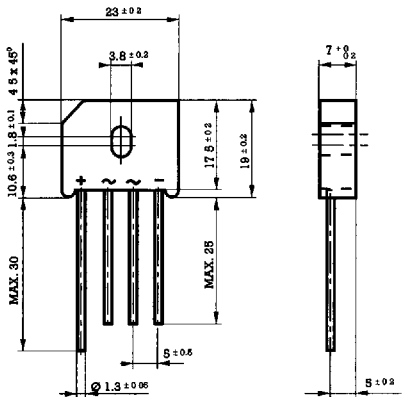


Dimensions in mm.



Voltage
50 to 1.000 V.

Current
8.0 A.

- In process of evaluation UL 1449
- Low Cost
- Terminals: Radial in-line
- Lead and polarity identifications
- Ideal for printed circuit board (P.C.B.)
- Case: Molded Plastic
- The plastic material carries U/L recognition 94 V-0

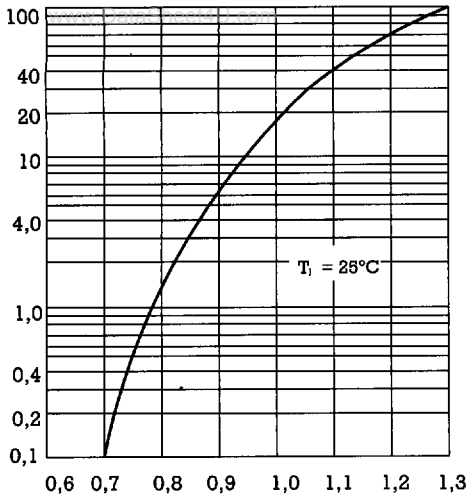
Maximum Ratings, in accordance with IEC publication No. 134

		FBU 8A	FBU 8B	FBU 8D	FBU 8G	FBU 8J	FBU 8K	FBU 8M
V_{RRM}	Peak recurrent reverse voltage (V)	50	100	200	400	600	800	1000
$I_{F(AV)}$	Forward current at $T_{amb} = 100^\circ C$	8.0 A						
I_{FSM}	10 ms. peak forward surge current	300 A						
T_j	Max. operating temperature	+ 150 °C						
T_{stg}	Storage temperature range	- 55 to + 150 °C						

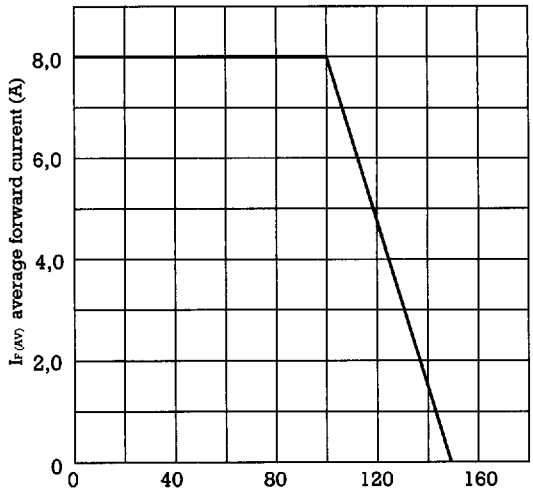
Electrical Characteristics at $T_{amb} = 25^\circ C$

V_F	Max forward voltage drop per element at $I_F = 8 A$	1 V
I_R	Max. reverse current per element at V_{RRM}	10 μA
$R_{th(j-c)}$	Thermal resistance from junction to case	5 °C/W

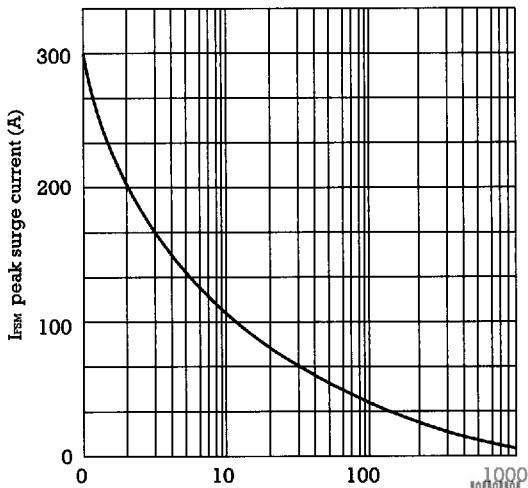
Characteristic Curves



V_F instantaneous forward voltage (V)

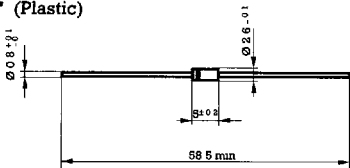


T_{amb} , ambient temperature (°C)

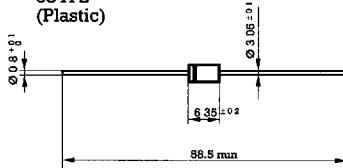


Number of cycles at 50Hz

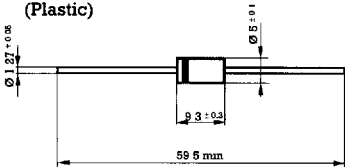
1 DO-41
(Plastic)



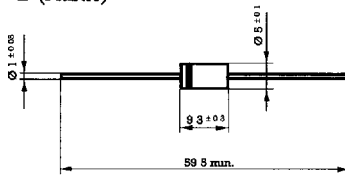
2 DO-15
F-126
58 A 2
(Plastic)



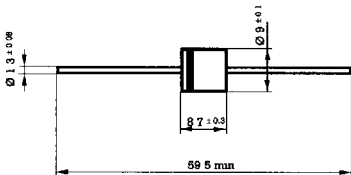
3 DO-27 A
DO-201 AD
(Plastic)



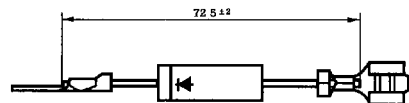
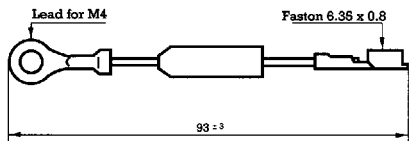
4 DO-201 AE
(Plastic)



5 P-6
(Plastic)

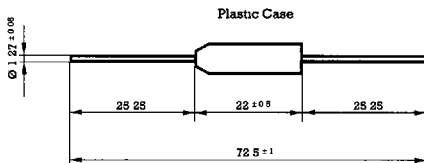


7

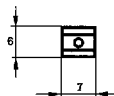


Suffix E1

6



Plastic Case

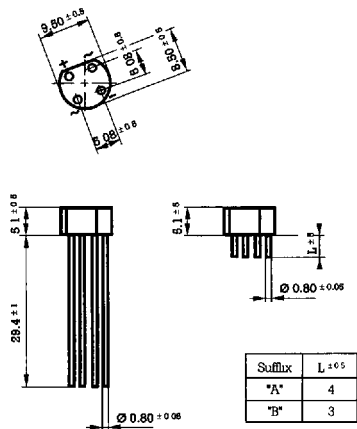


(HVR 3)
(HVR 4)

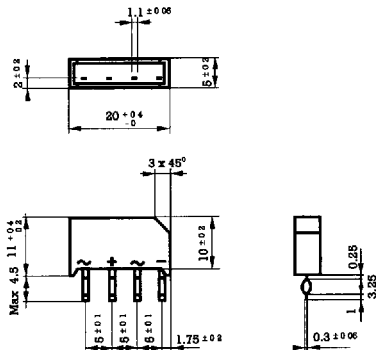


(HVR 082)

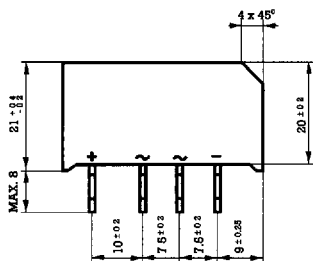
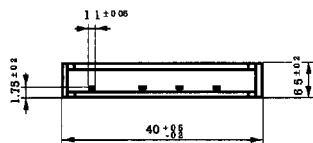
8



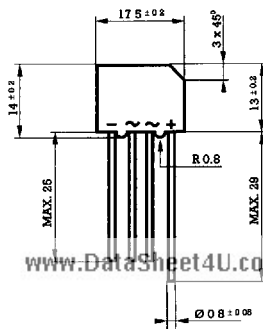
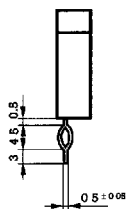
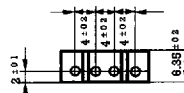
9



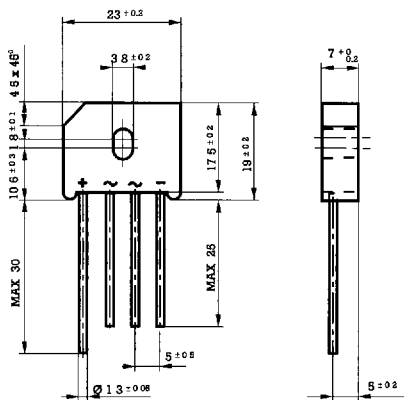
10



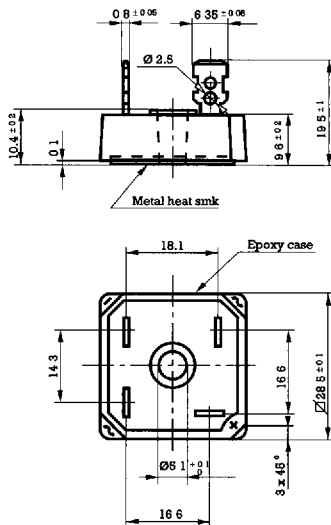
11



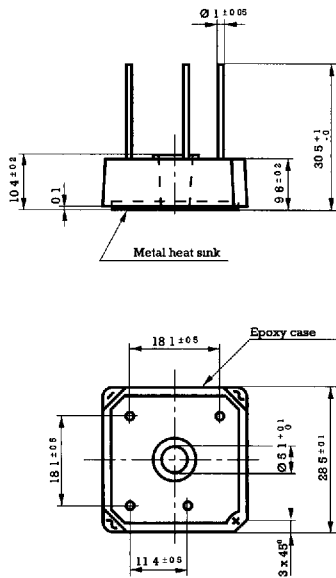
12 www.DataSheet4U.com



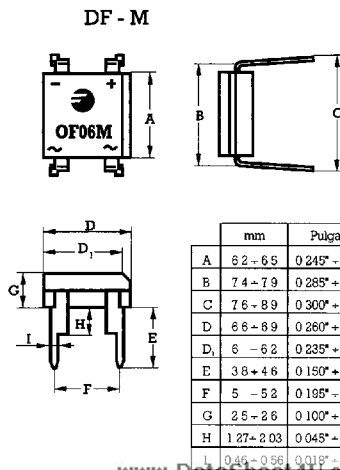
13



14



15



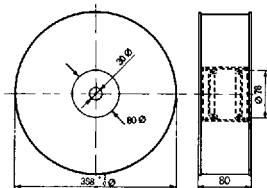
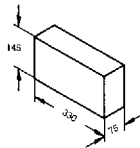
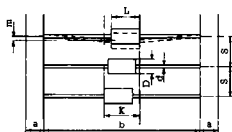
Packaging specifications

Dimensions in mm.

www.DataSheet4U.com
 REEL PACKAGING (Under IEC-CEI 286-1 and RS-296 D)

CASE TYPE (OUTLINE)	REEL DIMENSIONS					UNITS PER REEL	APROX GROSS WEIGHT PER REEL PACKED
	K	b	S	m	a		
(1) DO41 (Plastic)	6 4	53 ±2	5 ±0.5	1 2	6 ±1	6000	2.5 kg (5.52 Lbs)
(2) DO15 (Plastic)	7 85	53 ±2	5 ±0.5	1 2	6 ±1	5000	2.3 kg (5.07 Lbs)
(3) DO201AD (Plastic) (4) DO201AE (Plastic)	11	53 ±2	10 ±0.5	1.2	6 ±1	1500	2 kg. (4.41 Lbs)
(5) P-6 (Plastic)	11 27	53 ±2	10 ±0.5	1.2	6 ±1	1000	3 kg (6.61 Lbs)

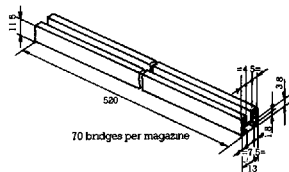
REEL PACKAGING



AMMO BOX PACKAGING (SUFFIX "AMP")

OUTLINES	BOX SIZE	UNITS PER BOX	APROX GROSS WEIGHT PER REEL PACKED
DO-41 (Plastic)	330 x 75 x 145	6000	2.20 kg (4.85 Lbs)
DO-15 (Plastic)	330 x 75 x 145	5000	2.20 kg (4.85 Lbs)
DO-201AD (Plastic)	330 x 75 x 145	1500	1.85 kg (4.08 Lbs)
DO-201ED (Plastic)	330 x 75 x 145	1500	1.85 kg (4.08 Lbs)
P-600	330 x 75 x 145	500	1.2 kg (2.65 Lbs)

DIL PACKAGING ANTISTATIC PLASTIC TUB



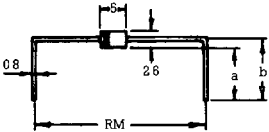
BOX PACKAGING

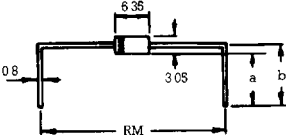
DEVICE TYPE (OUTLINE)	BOX SIZE	UNITS PER BOX	APROX GROSS WEIGHT
(6) (7) HVR3, HVR4 HVR062 (7) = Suffix E1	70 x 105 x 205	(6) 250 (7) 200	0.710 kg (1.560 Lbs)
(8) B C800, C1000, C1500 R, WL F, WF / ("A")	70 x 105 x 205	500 / (1.500)	0.650 kg (1.430 Lbs)
(9) B C1500/1000, C2000/1500	70 x 105 x 205	500	1.100 kg (2.425 Lbs)
(10) B. C3700/2200	70 x 105 x 205	100	1.100 kg (2.425 Lbs)
(10) B. C500/3300, C5000/3300-400	70 x 105 x 205	100	1.100 kg (2.425 Lbs)
(11) FBP, 2FBP	215 x 85 x 335	500	2.10 kg (4.62 Lbs)
(12) FBU 4 - 6 - 8	270 x 90 x 400	500	4.20 kg (9.23 Lbs)
(13) FB 10 - 15 - 25 - 35 - 50 B 10 - 15 - 25 - 35 - 50	70 x 105 x 205	50	0.850 kg (1.872 Lbs)
(14) FB 10L - 15L - 25L B 10L - 15L - 25L	35 x 135 x 205	20	0.350 kg (0.770 Lbs)
DF - M	540 x 145 x 110	5 600	4.0 kg (8.82 Lbs.)

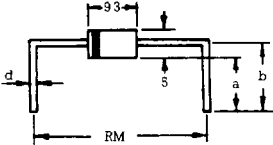
Standard lead forming specifications

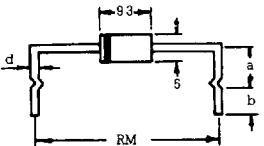
Dimensions in mm.

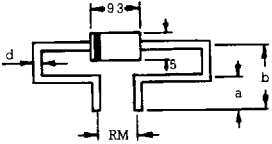
Plastic Cases
DataSheet4U.com

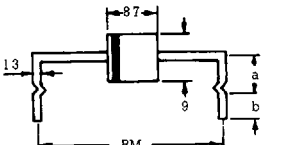
DO-41		Dimensions		
		a	b	RM
C2-3		3 ± 0.5	43 ± 0.5	10 ± 0.5
C2-5		10 ± 0.5	113 ± 0.5	10 ± 0.5
C2-8		4 ± 0.5	53 ± 0.5	10 ± 0.5

DO-15		Dimensions		
		a	b	RM
C2-3		3 ± 0.5	45 ± 0.5	10 ± 0.5
C2-5		10 ± 0.5	115 ± 0.5	10 ± 0.5
C2-8		4 ± 0.5	55 ± 0.5	10 ± 0.5

DO-201AD DO-27A (d = 1.27)	DO-201AE (d = 1)		Dimensions		
			a	b	RM
C2-1			3.5 ± 0.5	6 ± 0.5	15 ± 0.5
C2-2			4 ± 0.5	6.5 ± 0.5	15 ± 0.5
C2-4			7.5 ± 0.3	10 ± 0.3	17.8 ± 0.15
C2-6			3.5 ± 0.5	6 ± 0.5	17.5 ± 0.5
C2-7			4.5 ± 0.5	7 ± 0.5	21 ± 0.5
C2-11			4.5 ± 0.5	7 ± 0.5	17.5 ± 0.5
C2-12			12.5 ± 0.5	15 ± 0.5	17.5 ± 0.5
C2-13			16 ± 0.5	18.5 ± 0.5	15.2 ± 0.5
C2-14			7.5 ± 0.5	10 ± 0.5	15 ± 0.5
C2-17			4 ± 0.5	6.5 ± 0.5	20 ± 0.5

DO-201AD DO-27A (d = 1.27)	DO-201AE (d = 1)		Dimensions		
			a	b	RM
C6-1			10 ± 0.5	5 ± 0.5	15.2 ± 0.5
C6-2			10 ± 0.5	5 ± 0.5	17.5 ± 0.5
C6-3			7 ± 0.5	5 ± 0.5	21 ± 0.5
C6-4			13.5 ± 0.5	5 ± 0.5	15.2 ± 0.5
C6-5			10 ± 0.5	5 ± 0.5	20 ± 0.5

DO-201AD DO-27A (d = 1.27)	DO-201AE (d = 1)		Dimensions		
			a	b	RM
C4-2			4.5 ± 0.3	10.9 ± 0.3	7.5 ± 0.5

P-6		Dimensions		
		a	b	RM
C6-1		10 ± 0.5	5 ± 0.5	15.2 ± 0.5
C6-2		10 ± 0.5	5 ± 0.5	17.5 ± 0.5
C6-3		7 ± 0.5	5 ± 0.5	21 ± 0.5
C6-4		13.5 ± 0.5	5 ± 0.5	15.2 ± 0.5