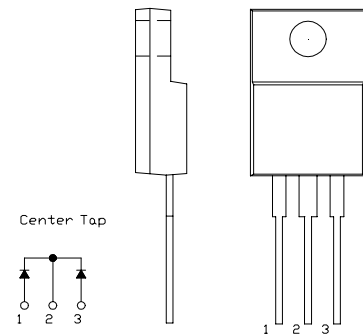


FRD Type : FCF16A60

OUTLINE DRAWING

FEATURES

- * Fully Molded Isolation
- * Dual Diodes – Cathode Common
- * Ultra – Fast Recovery
- * Low Forward Voltage Drop
- * High Surge Capability
- * 200 Volts thru 600 Volts Types Available



Maximum Ratings

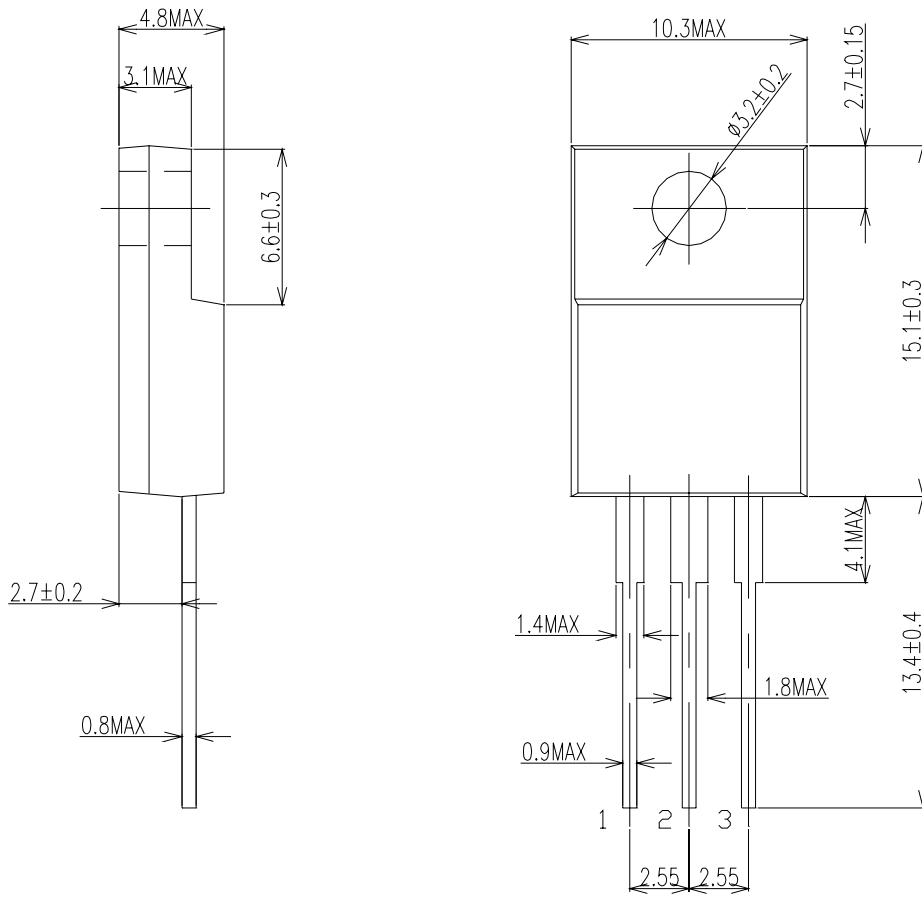
Approx Net Weight:1.75g

Rating	Symbol	FCF16A60		Unit
Repetitive Peak Reverse Voltage	V_{RRM}	600		V
Average Rectified Output Current	I_O	16	$T_c=94^{\circ}\text{C}$ 50 Hz, Full Sine Wave Resistive Load	A
RMS Forward Current	$I_{F(RMS)}$	18		A
Surge Forward Current	I_{FSM}	120	50 Hz Full Sine Wave, 1 cycle Non-repetitive	A
Operating Junction Temperature Range	T_{jw}	- 40 to + 150		$^{\circ}\text{C}$
Storage Temperature Range	T_{stg}	- 40 to + 150		$^{\circ}\text{C}$
Mounting torque		0.5	Recommended value	N•m

Electrical • Thermal Characteristics

Characteristics	Symbol	Conditions	Min.	Typ.	Max.	Unit
Peak Reverse Current	I_{RM}	$T_j=25^{\circ}\text{C}, V_{RM}=V_{RRM}$ per Arm	-	-	30	μA
Peak Forward Voltage	V_{FM}	$T_j=25^{\circ}\text{C}, I_{FM}=8\text{A}$ per Arm	-	-	1.7	V
Reverse Recovery Time	t_{rr}	$I_{FM}=8\text{A}$, $-di/dt=50\text{A}/\mu\text{s}$, $T_a=25^{\circ}\text{C}$	-	-	50	ns
Thermal Resistance	$R_{th(j-c)}$	Junction to Case	-	-	2	$^{\circ}\text{C}/\text{W}$
	$R_{th(c-f)}$	Case to Fin	-	-	1.5	

FCF16A60 OUTLINE DRAWING (Dimensions in mm)



Center Tap

