

Schottky Barrier Rectifier

FCH10A20

FEATURES

- Plastic material used carriers Underwriter Laboratory
- Metal silicon junction, majority carrier conduction
- Low Power Loss,high Efficiency
- Guard ring for overvoltage protection
- High Surge Capability,High Current Capability
- Minimum Lot-to-Lot variations for robust device performance and reliable operation

APPLICATIONS

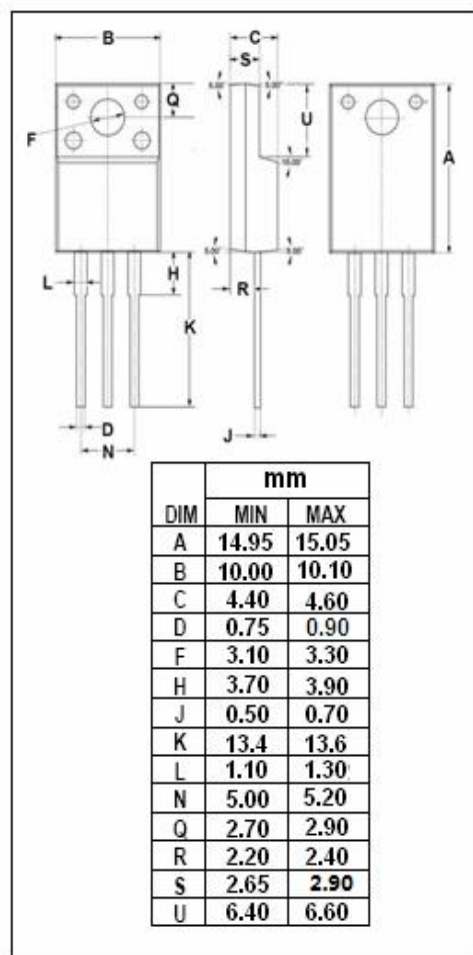
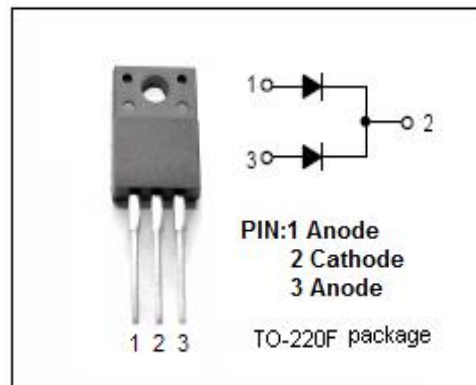
- For use in low voltage,high frequency inverters,free wheeling and polarity protection applications.

ABSOLUTE MAXIMUM RATINGS(Ta=25°C)

SYMBOL	PARAMETER	VALUE	UNIT
V _{RRM} V _{RWM} V _R	Peak Repetitive Reverse Voltage Working Peak Reverse Voltage DC Blocking Voltage	200	V
I _{F(AV)}	Average Rectified Forward Current	10	A
I _{FSM}	Non-repetitive Peak Surge Current	100	A
T _J	Junction Temperature	-40~150	°C
T _{stg}	Storage Temperature Range	-40~150	°C
dv/dt	Voltage Rate of Change (Rated V _R)	10000	V/μs

THERMAL CHARACTERISTICS

SYMBOL	PARAMETER	MAX	UNIT
R _{th(j-c)}	Thermal Resistance,Junction to Case	3.0	°C/W



Schottky Barrier Rectifier**FCH10A20****ELECTRICAL CHARACTERISTICS** (Pulse Test: Pulse Width=300 μ s, Duty Cycle \leq 1%)

SYMBOL	PARAMETER	CONDITIONS	MAX	UNIT
V _F	Maximum Instantaneous Forward Voltage	I _F = .5A ; T _J = 25°C	0.9	V
I _R	Maximum Instantaneous Reverse Current	V _R = V _{RRM} ; T _J = 25°C	0.2	mA

**NOTICE:**

ISC reserves the rights to make changes of the content herein the datasheet at any time without notification. The information contained herein is presented only as a guide for the applications of our products.

ISC products are intended for usage in general electronic equipment. The products are not designed for use in equipment which require specialized quality and/or reliability, or in equipment which could have applications in hazardous environments, aerospace industry, or medical field. Please contact us if you intend our products to be used in these special applications.

ISC makes no warranty or guarantee regarding the suitability of its products for any particular purpose, nor does ISC assume any liability arising from the application or use of any products, and specifically disclaims any and all liability, including without limitation special, consequential or incidental damages.