



60x60x10mm

- Airflow: 17.3~23.3 CFM
- Static Pressure: 2.1~4.0 mm-H₂O
- Blade / Housing: Plastic Material UL 94V-0 P.B.T.
- Lead Wire: UL1007 #26 AWG
- Weight: 26.0 g

Model No.	Bearing	Rated Voltage	Operating Voltage Range	Speed	Max. Airflow	Max. Static Pressure	Current	Power Consumption	Life at 40°C L10	P-Q Curve	Noise Level
		VDC	VDC	RPM	CFM	mm-H ₂ O	mA	W	Hour		dB(A)
FD056010LB	2B	05	4~5.5	3800	17.3	2.1	260	1.30	80000	3	33.0
FD126010LS	S	12	7~13.2	3800	17.3	2.1	140	1.68	30000	3	37.5
FD126010MS	S		7~13.2	4500	21.0	3.0	170	2.04	30000	2	38.0
FD126010HS	S		7~13.2	5200	23.3	4.0	240	2.88	25000	1	41.0
FD126010LB	2B		7~13.2	3800	17.3	2.1	140	1.68	80000	3	33.0
FD126010MB	2B		7~13.2	4500	21.0	3.0	170	2.04	80000	2	38.0
FD126010HB	2B		7~13.2	5200	23.3	4.0	240	2.88	75000	1	41.0

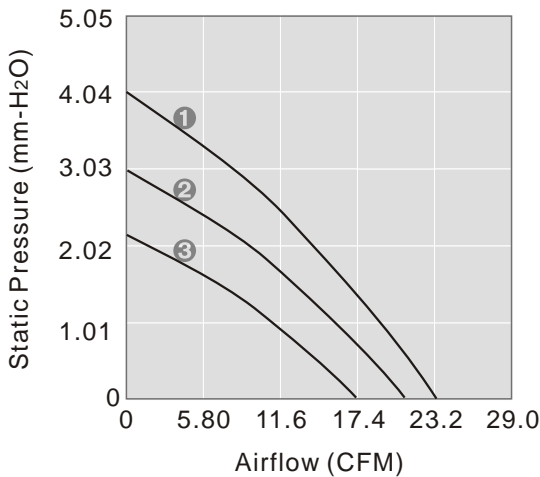
2B: 2-ball bearing L: sintetico bearing S: sleeve bearing

Voltage Available
05 12 24 48

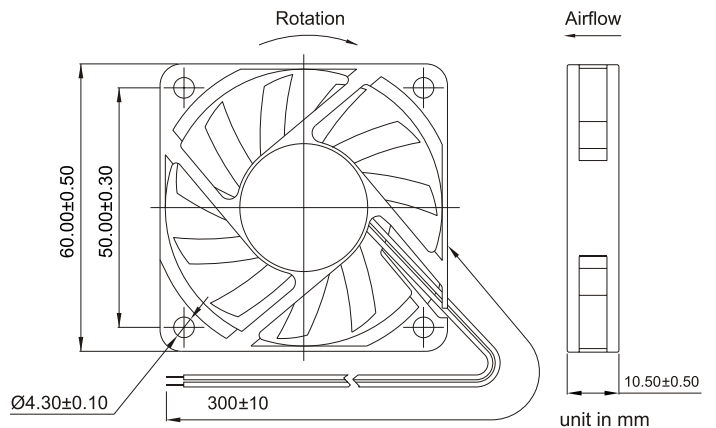
Bearing System Available
2B L S

Function Available
N A I F R Q S T M V C P D W U

PERFORMANCE P-Q CURVE



OUTLINE DIMENSIONS



Please refer to Model Numbering System for bearing, function and speed level indication. Specifications are subject to changes without notice. Please refer to the formally issued product specification via contacting Y.S. TECH sales department. Visit Y.S. TECH web site at <http://www.ystech.com.tw> for updated information. Customized Specifications are designed accordingly