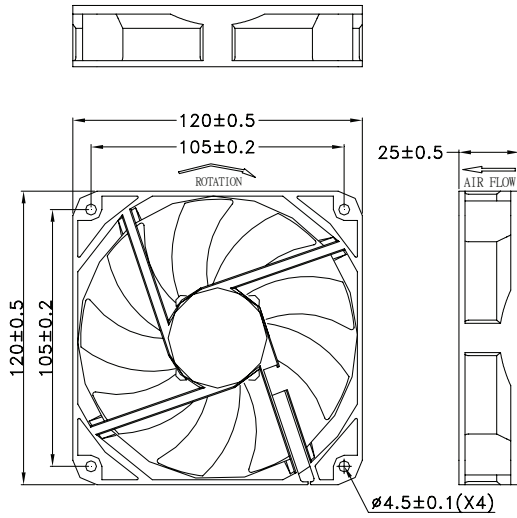


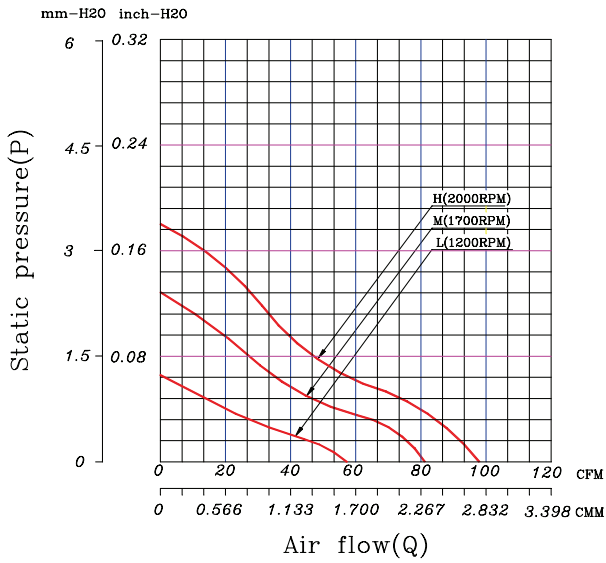
**120 x 120 x 25 mm Series**

**Dimensions**



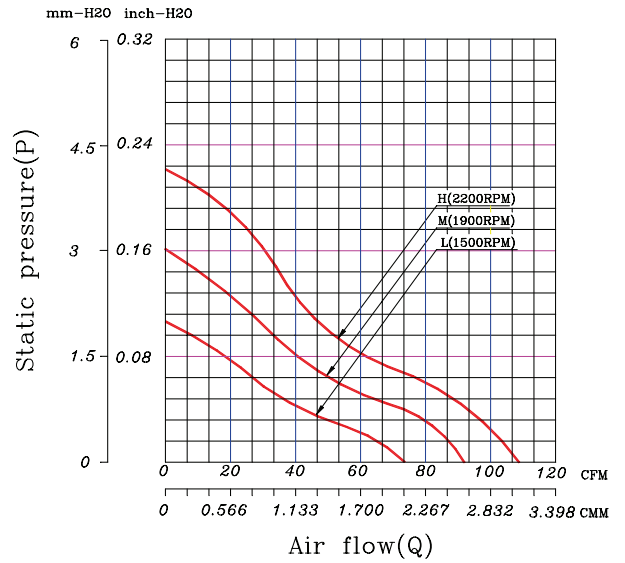
**Rev V**

**Performance Curves**



**Rev VI**

**Performance Curves**



**Specifications**

Model	TYPE	Rated Voltage (VDC)	Rated Current (Amp)	Input Power (Watts)	Nominal Speed (RPM)	Airflow (CFM)	Static Pressure (inch-H2O)	Noise Level (dBA)
FD1212-AL4XXE	V	12	0.41	4.92	2000	97.29	0.13	40.00
FD1212-A14XXE	V	12	0.37	4.44	2000	97.29	0.13	40.00
FD1212-A24XXE	V	12	0.23	2.76	1700	81.27	0.09	35.40
FD1212-A34XXE	V	12	0.09	1.08	1200	57.53	0.05	23.50
FD1212-AP5XXE	VI	12	0.46	5.52	2200	108.78	0.16	42.80
FD1212-A15XXE	VI	12	0.46	5.52	2200	108.78	0.16	42.80
FD1212-A25XXE	VI	12	0.31	3.72	1900	92.01	0.12	38.40
FD1212-A35XXE	VI	12	0.18	2.16	1500	73.44	0.08	30.50