



DC fan – 120x120x25mm Series

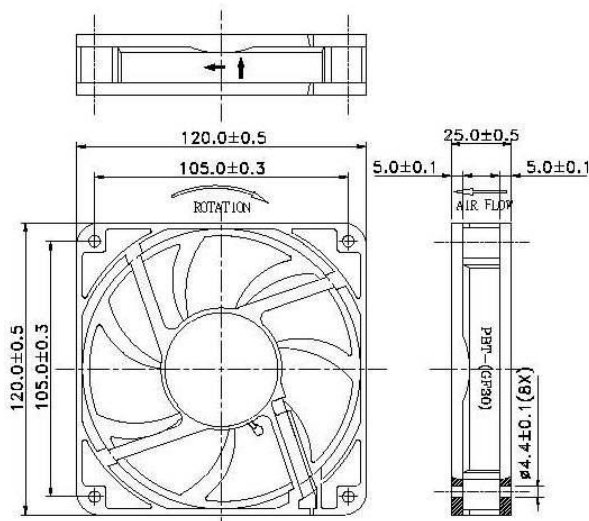
Technical options:

- Frequency generator (tachometer output)
- Temperature / speed control
- Locked wire, fan failure output
- Pulse width modulation
- IP coating

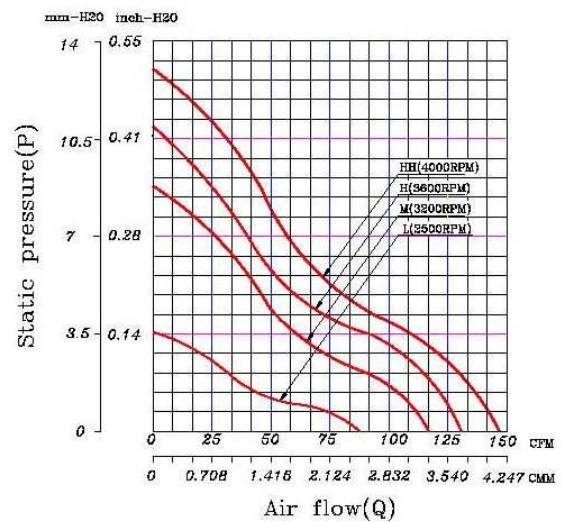
120 x 120 x 25 mm Series

Rev III

Dimensions



Performance Curves



* All fans are with electronic protection against reverse polarity. The fan only operates when the polarity is correct.



Brushless DC Motor	Bearing Types
Housing: PBT 94V0	CeraDyna A (partial ceramic)
Impeller: PBT 94V0	CeraDyna C (full ceramic)
Weight: 200g	Ball bearing
Impedance protected	Sleeve
Lead wire UL 1007 AWG	1 Ball – 1 Sleeve

Specifications:

Model	Rated Voltage (VDC)	Rated Current (Amp)	Input Power (Watts)	Nominal Speed (RPM)	Airflow (CFM)	Static Pressure (inch-H2O)	Noise Level (dBA)
FD1212-AP2XXE	12	0.85	10.2	4000	146.97	0.51	52.2
FD1212-A02XXE	12	0.85	10.2	4000	146.97	0.51	52.2
FD1212-A12XXE	12	0.67	8.04	3600	131.03	0.43	49.9
FD1212-A22XXE	12	0.45	5.4	3200	117.05	0.35	48.3
FD1212-A32XXE	12	0.29	3.48	2500	87.8	0.14	42
FD2412-AP2XXE	24	0.47	11.28	4000	146.97	0.51	52.2
FD2412-A02XXE	24	0.47	11.28	4000	146.97	0.51	52.2
FD2412-A12XXE	24	0.33	7.92	3600	131.03	0.43	49.9
FD2412-A22XXE	24	0.27	6.48	3200	117.05	0.35	48.3
FD2412-A32XXE	24	0.17	4.08	2500	87.8	0.14	42

How to read the DC Fan part number

ACT-RX Technology Corporation

