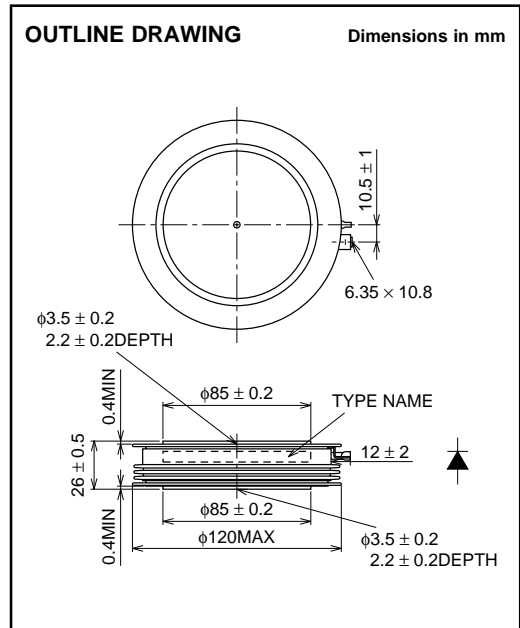
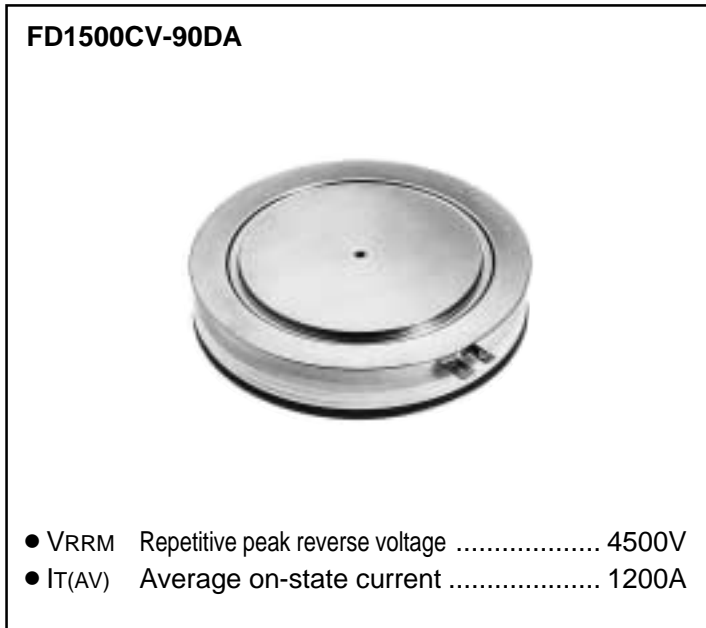


**PRELIMINARY**  
 Notice: This is not a final specification.  
 Some parametric limits are subject to change.

MITSUBISHI SOFT RECOVERY DIODE

**FD1500CV-90DA**

HIGH POWER, HIGH FREQUENCY  
 PRESS PACK TYPE



**APPLICATION**

- High-power inverters
- Fly-hwheel diode for GCT Thyristor
- Power supplies as high frequency rectifiers

**MAXIMUM RATINGS**

Symbol	Parameter	Conditions	Voltage class	Unit
VRRM	Repetitive peak reverse voltage	—	4500	V
VRSM	Non-repetitive peak reverse voltage	—	4500	V
VR(DC)	DC reverse voltage	—	3600	V
V(LTDS)	Long term DC stability voltage	—	3000	V

Symbol	Parameter	Conditions	Ratings	Unit
IF(RMS)	RMS forward current	Applied for all condition angles	1900	A
IF(AV)	Average forward current	f = 60Hz, sinewave θ = 180°, Tr = 74°C	1200	A
IFSM	Surge forward current	One half cycle at 60Hz, Tj = 125°C start	26	kA
I <sup>2</sup> t	Current-squared, time integration		2.8 × 10 <sup>6</sup>	A <sup>2</sup> s
di/dt	Critical rate of rise of reverse recovery current	IFM = 1500A, VR = 2250V, Tj = 25/125°C Cc = 6μF, Lc = 0.3μH (See Fig. 1, 2)	1000	A/μs
Tj	Operation junction temperature		-40 ~ 125	°C
Tstg	Storage temperature		-40 ~ 150	°C
—	Mounting force required	(Recommended value 47kN)	39 ~ 55	kN
—	Weight	Typical value 1450g	—	g

**ELECTRICAL CHARACTERISTICS**

Symbol	Parameter	Test conditions	Limits			Unit
			Min.	Typ.	Max.	
VFM	Forward voltage	IFM = 3400A, Tj = 125°C	—	—	5	V
IRRM	Repetitive peak reverse current	VRM = 4500V, Tj = 125°C	—	—	150	mA
QRR	Reverse recovery charge	IFM = 1500A, di/dt = 1000A/μs, VR = 2250V, Tj = 125°C	—	—	4000	μC
Erec	Reverse recovery energy	Cc = 6μF, Lc = 0.3μH (See Fig. 1, 2)	—	—	7	J/P
Rth(j-f)	Thermal resistance	Junction to Fin	—	—	0.0071	K/W

**PRELIMINARY**  
 Notice: This is not a final specification.  
 Some parametric limits are subject to change.

**FD1500CV-90DA**

**HIGH POWER, HIGH FREQUENCY  
 PRESS PACK TYPE**

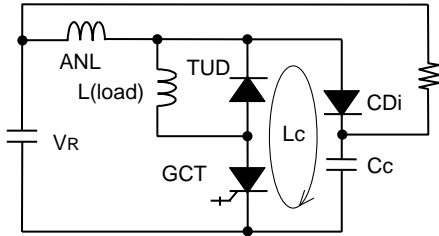


Fig. 1 Reverse recovery test circuit

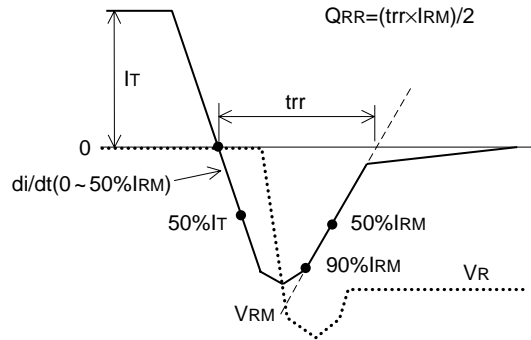


Fig. 2 Reverse recovery waveform

**PERFORMANCE CURVES**

