



DC fan – 120x120x25mm Series

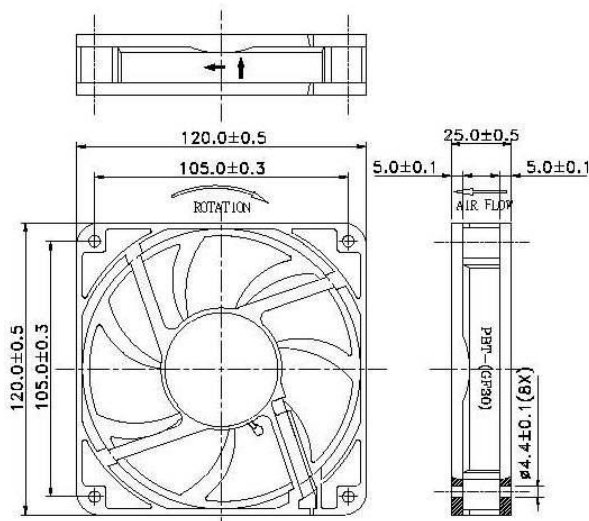
Technical options:

- Frequency generator (tachometer output)
- Temperature / speed control
- Locked wire, fan failure output
- Pulse width modulation
- IP coating

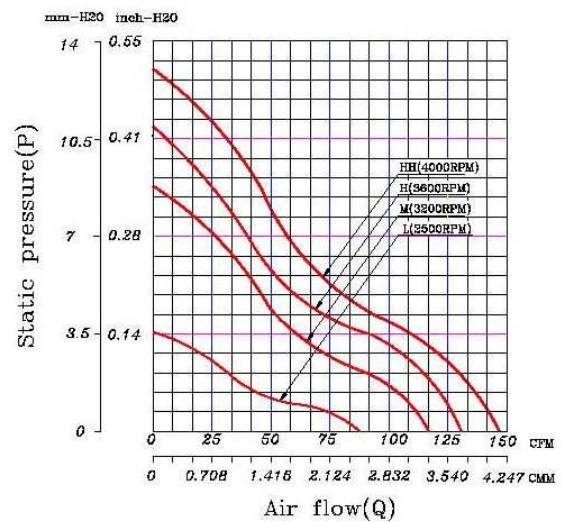
120 x 120 x 25 mm Series

Rev III

Dimensions



Performance Curves



* All fans are with electronic protection against reverse polarity. The fan only operates when the polarity is correct.



Brushless DC Motor	Bearing Types
Housing: PBT 94V0	CeraDyna A (partial ceramic)
Impeller: PBT 94V0	CeraDyna C (full ceramic)
Weight: 200g	Ball bearing
Impedance protected	Sleeve
Lead wire UL 1007 AWG	1 Ball – 1 Sleeve

Specifications:

Model	Rated Voltage (VDC)	Rated Current (Amp)	Input Power (Watts)	Nominal Speed (RPM)	Airflow (CFM)	Static Pressure (inch-H2O)	Noise Level (dBA)
FD1212-AP2XXE	12	0.85	10.2	4000	146.97	0.51	52.2
FD1212-A02XXE	12	0.85	10.2	4000	146.97	0.51	52.2
FD1212-A12XXE	12	0.67	8.04	3600	131.03	0.43	49.9
FD1212-A22XXE	12	0.45	5.4	3200	117.05	0.35	48.3
FD1212-A32XXE	12	0.29	3.48	2500	87.8	0.14	42
FD2412-AP2XXE	24	0.47	11.28	4000	146.97	0.51	52.2
FD2412-A02XXE	24	0.47	11.28	4000	146.97	0.51	52.2
FD2412-A12XXE	24	0.33	7.92	3600	131.03	0.43	49.9
FD2412-A22XXE	24	0.27	6.48	3200	117.05	0.35	48.3
FD2412-A32XXE	24	0.17	4.08	2500	87.8	0.14	42

How to read the DC Fan part number

ACT-RX Technology Corporation

FD	05	25	-	A	1	0	1	1	A
Model FD: DC Fan FW: DC Blower FH: High Performance DC Fan	Voltage 05: 5VDC 12: 12VDC 24: 24VDC 48: 48VDC	Frame Dimension 25: 25x25 mm 30: 30x30 mm 35: 35x35 mm 40: 40x40 mm 45: 45x45 mm 50: 50x50 mm or 51x51 mm 60: 60x60 mm 70: 70x70 mm 75: 75x75 mm 80: 80x80 mm 90: 92x92 mm 12: 120x120 mm 13: 127x127 mm		Bearing A: CeraDyna A C: CeraDyna C B: 1-Ball-1-Sleeve D: 2-Ball S: Sleeve	Fan Speed 0: Super High 1: High 2: Medium 3: Low 4: Super Low P: PWM L: With LED T: TC	Fan Revision 0: Rev. 1 1: Rev. 2 2: Rev. 3 3: Rev. 4 4: Rev. 5 5: Rev. 6 6: Rev. 7 7: Rev. 8		Connector 0: 4 pin daisy Chain 1: Lead wire 2: 2 pin 3: 3 pin 4: 4 pin 6: 6 pin 9: Other	Frame Thickness A: 10 mm B: 12 mm C: 15 mm D: 20 mm E: 25 mm F: 33 mm G: 38 mm M: 28 mm N: 17 mm H: 22 mm J: 09 mm
						Protecion/Function 1: Polarity protection (PP) 3: PP+3rd wire FG (Frequency Generator output) 4: PP+AR (Auto Restart) 5: PP+AR+3rd wire FG 6: PP+AR+3rd wire TC (Temperature Control) 7: PP+AR+3rd wire RD (Rotation Detection) 8: PP+AR+PWM (Pulse Width Modulation)			