



Housing/Blade: Thermoplastic PBT, UL 94V-0
 Insulation Resistance: 10MΩ, 500VDC/min between bare wire and frame
 Dielectric Strength: 5mA max. 500VAC/min between bare wire and frame
 Operation Temperature: -10°C~70°C(Humidity 35%-85%RH)
 Storage Temperature: -40°C~70°C(Humidity 35%-85%RH)
 Lead Wire: UL Type #26 AWG
 Weight: 24 g



SS

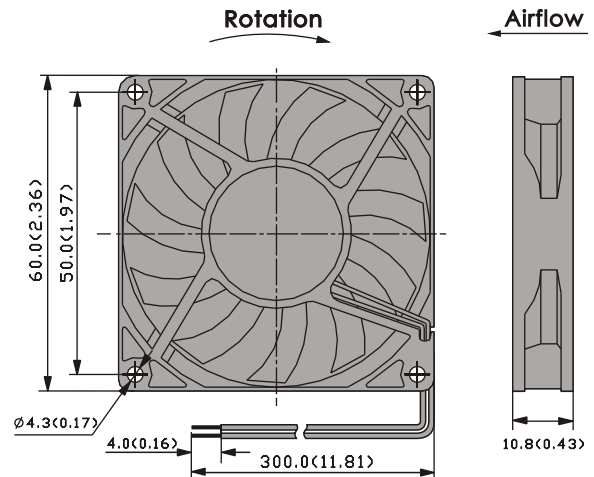
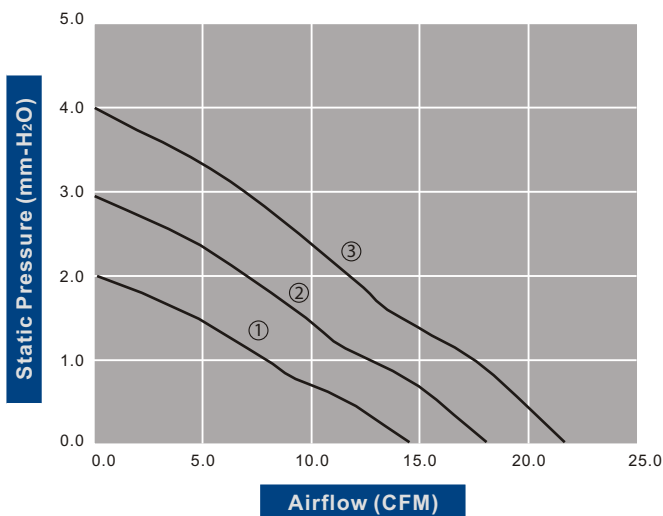
SF



Model Number	Voltage (VDC)	Op. Voltage (VDC)	Air Flow (CFM)	Static Pres. (mm-H ₂ O)	Noise (dBA)	Speed (RPM)	Current (mA)	Power (W)	Available Bearing	Additional Function (See Page 3)	Curves
FD6010B12W2-71	12	10.8~13.2	14.60	2.00	26.80	3,500	130	1.56	B,C,L,S	S	①
FD6010B12W3-71	12	10.8~13.2	18.00	2.90	31.20	4,200	170	2.04	B,C,L,S	S	②
FD6010B12W5-71	12	10.8~13.2	21.80	4.00	35.50	5,000	230	2.76	B,C,L,S	S	③

• For "One Ball & One Sleeve", "Long Life", or "Sleeve" bearing versions, change the "B" in the model number to "C", "L", or "S" respectively.

Specifications are subject to change without notice



unit: mm(inch)