

液晶之友 电话: 020-33819057
[Http://www.lcdfriends.com](http://www.lcdfriends.com)

PRODUCT SPECIFICATION

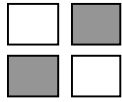
MONOCHROME LCD MODULE

PART NUMBER : FDA0802D

DESCRIPTION : 2x8 character

REVISION : Rev A

| | | | |
|--|---------------------------------|----------|------------------------------|
| | Approval for Specification only | | Approval for Sample Only |
| | Approval for Pre-production | x | Approval for Mass Production |



FDA0802D (8 CHARACTERS x 2 LINES)

FEATURES

- ◆ 5 x 7 DOTS WITH CURSOR
- ◆ BUILT-IN CONTROLLER (KS0066 OR EQUIVALENT)
- ◆ 5 V POWER SUPPLY
- ◆ 1/16 DUTY CYCLE
- ◆ 4.2 V LED FORWARD VOLTAGE

MECHANICAL DATA

| ITEM | DIMENSIONS | UNIT |
|---------------------------|--------------------------------|------|
| Module Size (W x H x T) | 48.0 x 42.0 x 8.4 (12.8 LED) | mm |
| Viewing Area (W x H) | 38.0 x 16.0 | mm |
| Character Size (W x H) | 2.96 x 5.56 | mm |
| Character Pitch (W x H) | 3.55 x 5.94 | mm |
| Dot Size (W x H) | 0.56 x 0.66 | mm |
| Dot Pitch (W x H) | 0.60 x 0.70 | mm |

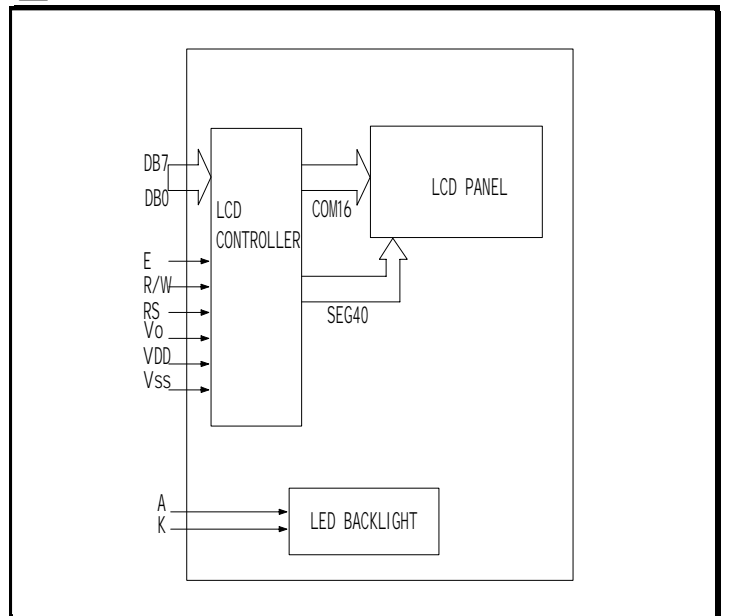
INTERFACE PIN CONNECTIONS

| NO. | SYMBOL | FUNCTION | NO. | SYMBOL | FUNCTION |
|-----|--------|----------------|-----|--------|-----------------|
| 1 | VSS | Supply Ground | 9 | A | LED Power |
| 2 | DB0 | Data Bit 0 | 10 | DB4 | Data Bit 4 |
| 3 | K | LED Power | 11 | E | Enable Signal |
| 4 | DB1 | Data Bit 1 | 12 | DB5 | Data Bit 5 |
| 5 | VDD | Supply Voltage | 13 | R/W | Read/Write |
| 6 | DB2 | Data Bit 2 | 14 | DB6 | Data Bit 6 |
| 7 | Vo | Contrast Adj. | 15 | RS | Register Select |
| 8 | DB3 | Data Bit 3 | 16 | DB7 | Data Bit 7 |

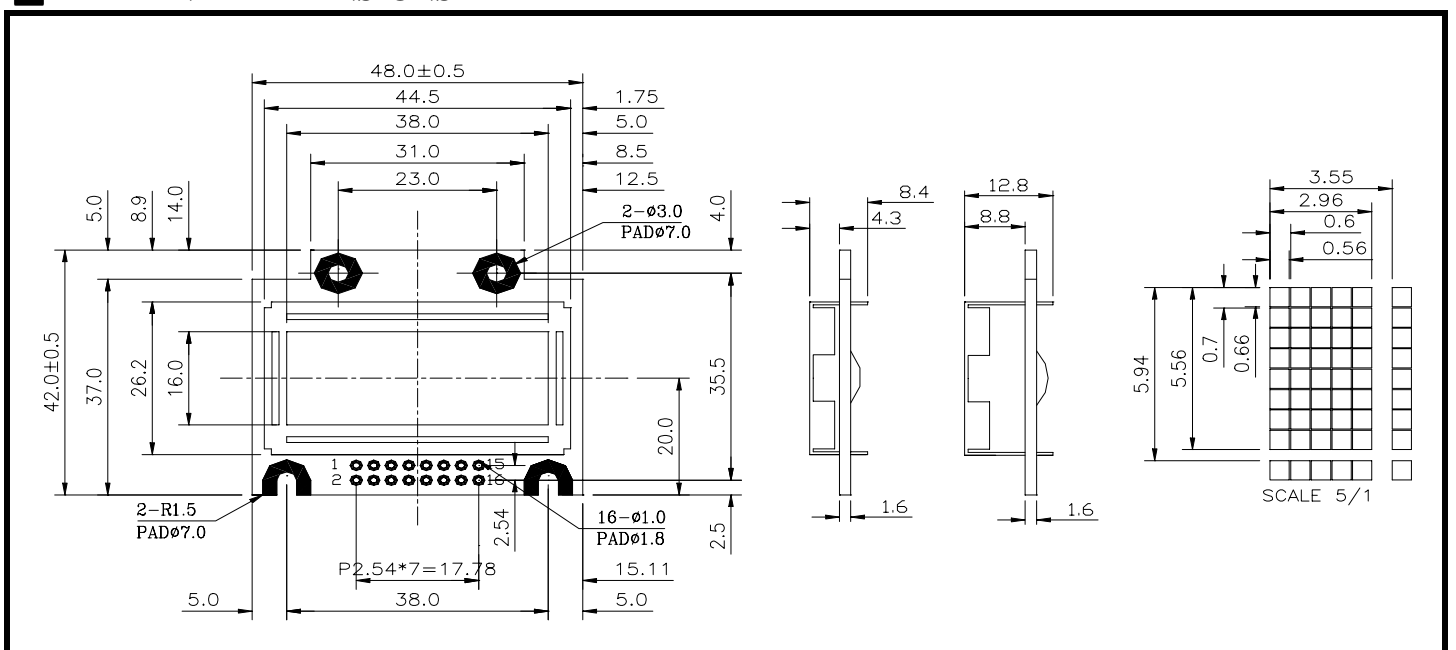
ELECTRICAL CHARACTERISTICS

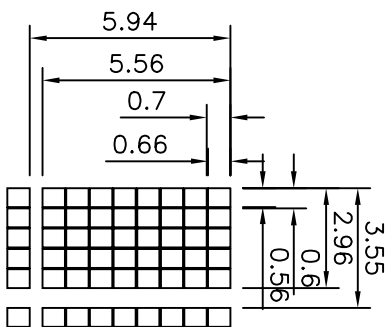
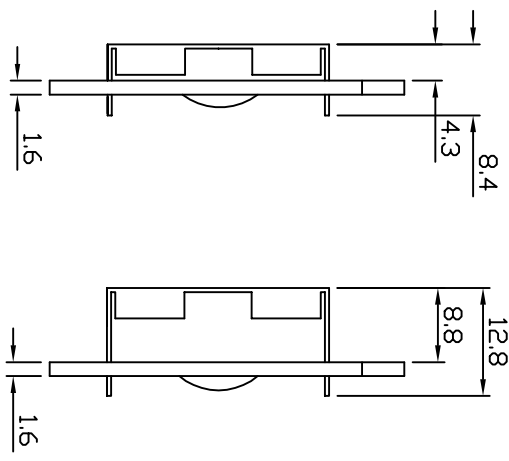
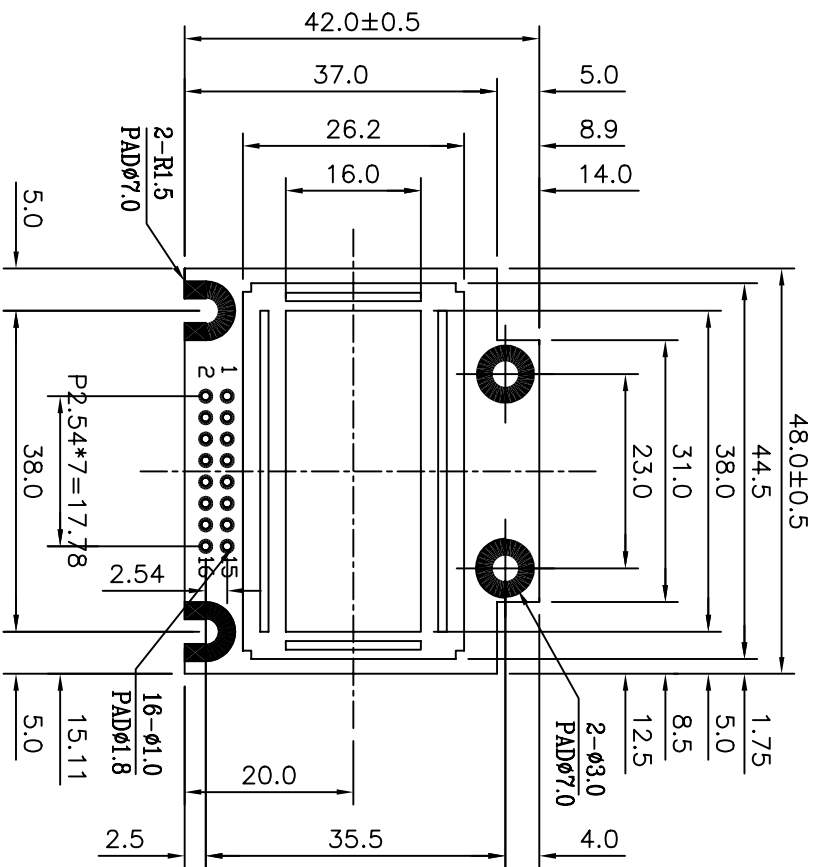
| ITEM | SYMBOL | CONDITION | MIN. | TYP. | MAX. | UNIT |
|-----------------------|---------------------|-----------------|------|------|------|-------------------|
| LCD Operating Voltage | V _{DD-Vo} | T=0°C | - | 4.8 | - | V |
| | | T=25°C | - | 4.5 | - | V |
| | | T=50°C | - | 4.2 | - | V |
| Supply Voltage | V _{DD-VSS} | - | 4.7 | 5 | 5.3 | V |
| Supply Current | I _{DD} | - | - | 1.2 | 2.5 | mA |
| Input Voltage | "HIGH" Level | V _{IH} | - | 2.2 | - | V _{DD} V |
| | "LOW" Level | V _{IL} | - | 0 | - | 0.6 V |
| Output Voltage | "HIGH" Level | V _{OH} | - | 2.4 | - | V |
| | "LOW" Level | V _{OL} | - | - | - | 0.4 V |

BLOCK DIAGRAM



EXTERNAL DIMENSIONS





| PIN NO | SIGNAL |
|--------|--------|
| 1 | VSS |
| 2 | DB0 |
| 3 | K |
| 4 | DB1 |
| 5 | VDD |
| 6 | DB2 |
| 7 | V0 |
| 8 | DB3 |
| 9 | A |
| 10 | DB4 |
| 11 | E |
| 12 | DB5 |
| 13 | R/W |
| 14 | DB6 |
| 15 | RS |
| 16 | DB7 |

SCALE 4:1

| NOTE | ITEM | CONTENT | DATA | REV | TOLERANCE | SCALE | UNIT | DWYN | DATE | CUSTOMER | APVL | TITLE | MODEL | DWG NO | PAGE |
|------------------------|------|---------------|------------|-----|---------------------------------|-------|------|------|------------|----------|------|--------|---------|-----------|------|
| | | CHANGE NUMBER | 2004.03.01 | 0 | X. ±0.30 X ±0.20 .XX±0.05 | 1/1 | mm | ⊕ | 2004.03.01 | | | MODULE | SC0802D | A-A1-0005 | 1/1 |
| SUNLIKE DISPLAY | | | | | | | | | | | | | | | |