

液晶之友 电话: 020-33819057
[Http://www.lcdfriends.com](http://www.lcdfriends.com)

PRODUCT SPECIFICATION

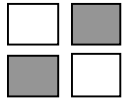
MONOCHROME LCD MODULE

PART NUMBER : FDA1601G

DESCRIPTION : 1x16 character

REVISION : Rev A

<input type="checkbox"/>	Approval for Specification only	<input type="checkbox"/>	Approval for Sample Only
<input type="checkbox"/>	Approval for Pre-production	<input checked="" type="checkbox"/>	Approval for Mass Production



FDA1601G (16 CHARACTERS x 1 LINES)

FEATURES

- ◆ 5 x 7 DOTS WITH CURSOR
- ◆ BUILT-IN CONTROLLER (KS0066 OR EQUIVALENT)
- ◆ 5 V POWER SUPPLY
- ◆ 1/16 DUTY CYCLE
- ◆ 4.2 V LED FORWARD VOLTAGE

MECHANICAL DATA

ITEM	DIMENSIONS	UNIT
Module Size (W x H x T)	85.0 x 30.9 x 8.7 (12.7 LED)	mm
Viewing Area (W x H)	65.0 x 16.0	mm
Character Size (W x H)	3.07 x 6.56	mm
Character Pitch (W x H)	3.77 x 6.56	mm
Dot Size (W x H)	0.55 x 0.75	mm
Dot Pitch (W x H)	0.63 x 0.83	mm

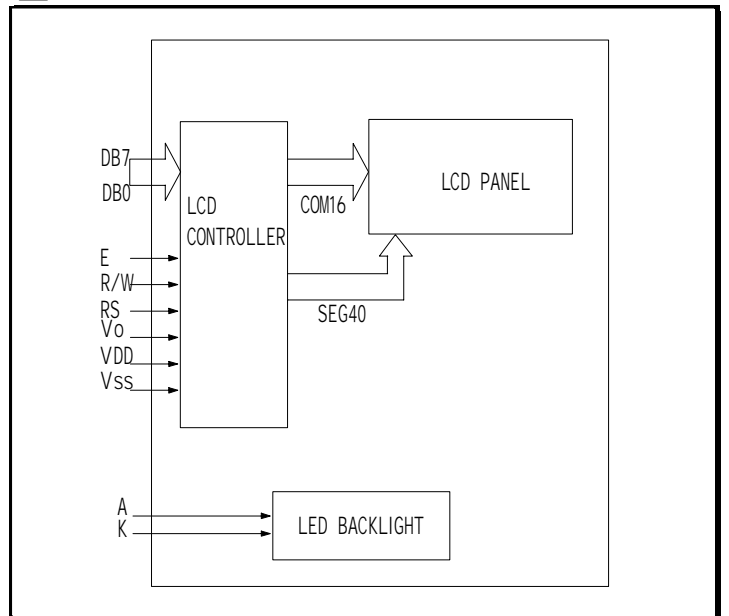
INTERFACE PIN CONNECTIONS

NO.	SYMBOL	FUNCTION	NO.	SYMBOL	FUNCTION
1	VSS	Supply Ground	9	DB2	Data Bit 2
2	VDD	Supply Voltage	10	DB3	Data Bit 3
3	Vo	Contrast Adj.	11	DB4	Data Bit 4
4	RS	Register Select	12	DB5	Data Bit 5
5	R/W	Read/Write	13	DB6	Data Bit 6
6	E	Enable Signal	14	DB7	Data Bit 7
7	DB0	Data Bit 0	15	A	LED Power
8	DB1	Data Bit 1	16	K	LED Power

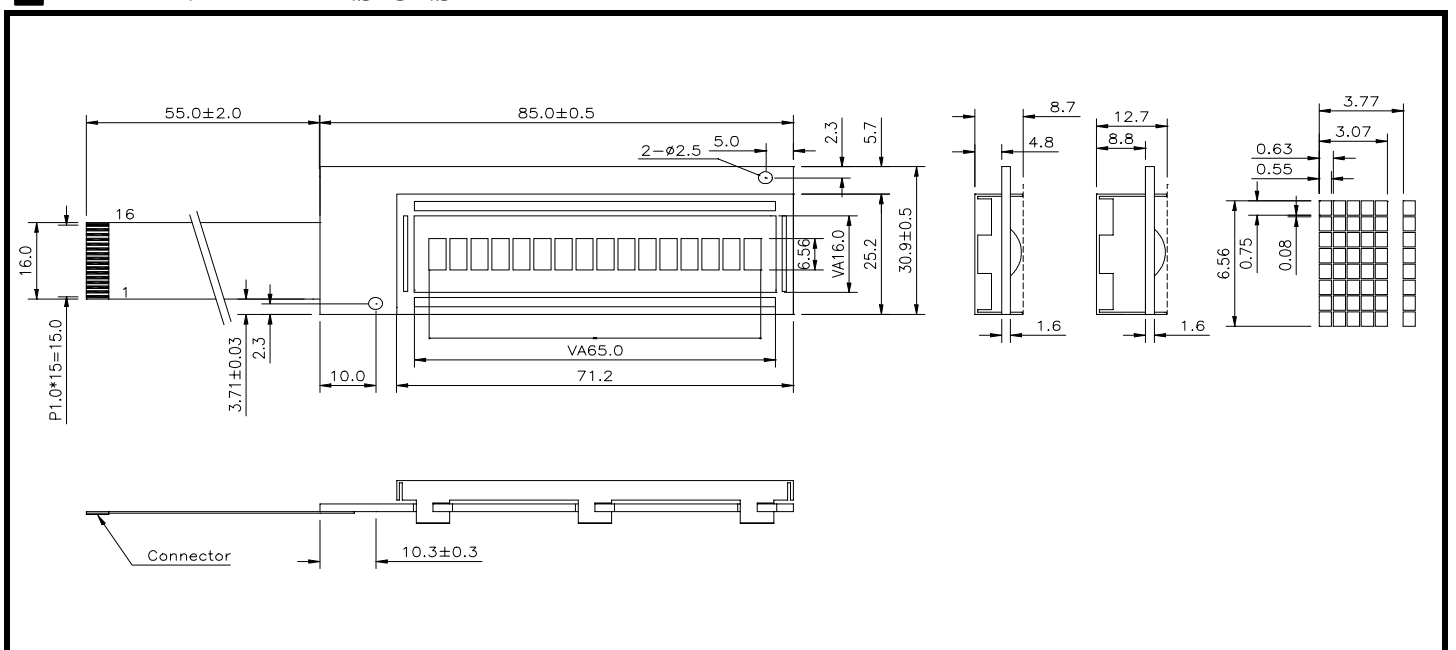
ELECTRICAL CHARACTERISTICS

ITEM	SYMBOL	CONDITION	MIN.	TYP.	MAX.	UNIT
LCD Operating Voltage	V _{DD-Vo}	T=0°C	-	4.8	-	V
		T=25°C	-	4.5	-	V
		T=50°C	-	4.2	-	V
Supply Voltage	V _{DD-VSS}	-	4.7	5	5.3	V
Supply Current	I _{DD}	-	-	1.2	2.5	mA
Input Voltage	"HIGH" Level	V _{IH}	-	2.2	-	V _{DD} V
	"LOW" Level	V _{IL}	-	0	-	0.6 V
Output Voltage	"HIGH" Level	V _{OH}	-	2.4	-	V
	"LOW" Level	V _{OL}	-	-	-	0.4 V

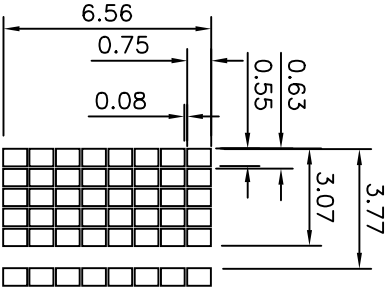
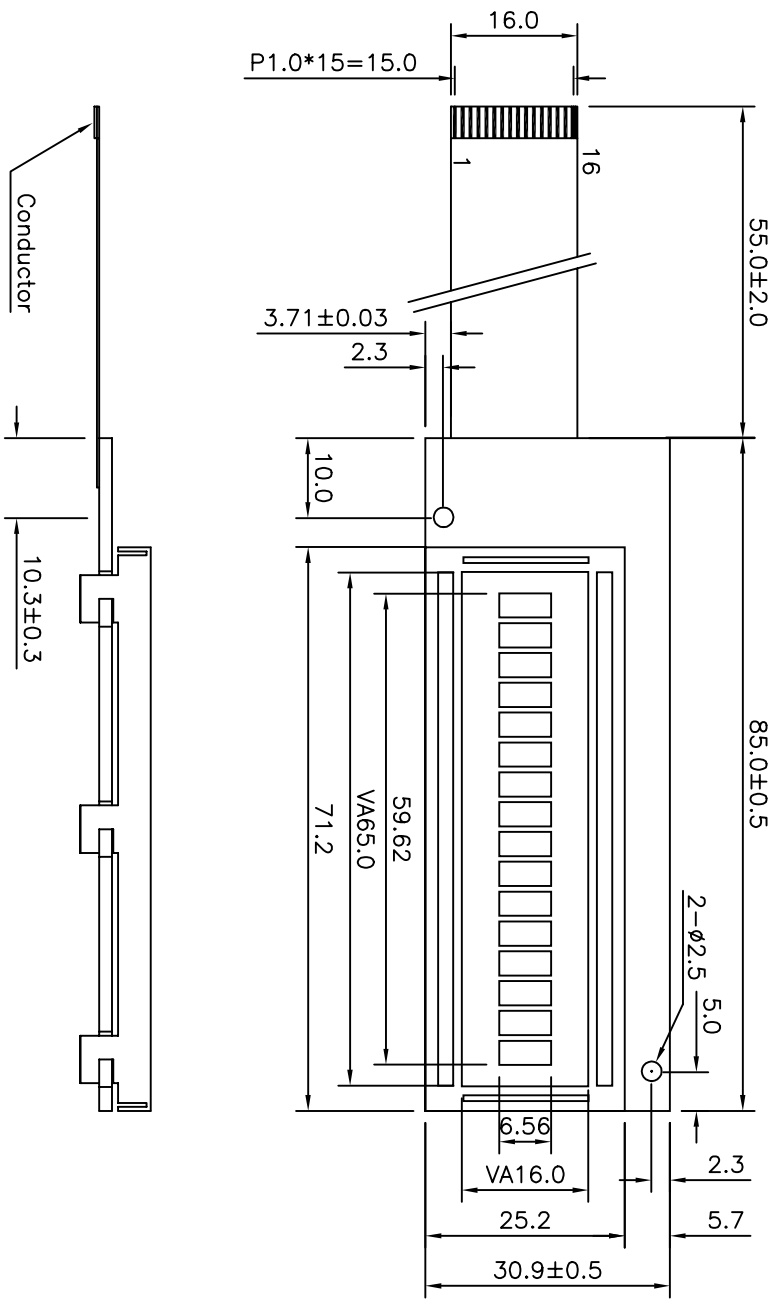
BLOCK DIAGRAM



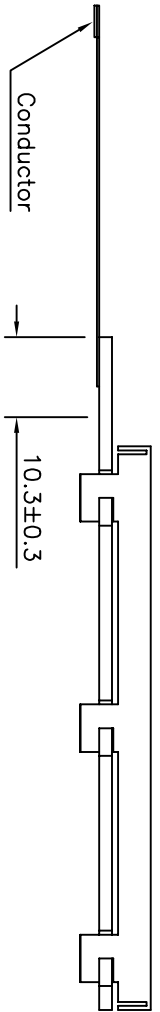
EXTERNAL DIMENSIONS



PIN NO	SIGNAL
1	VSS
2	VPD
3	V0
4	RS
5	R/W
6	E
7	DB0
8	DB1
9	DB2
10	DB3
11	DB4
12	DB5
13	DB6
14	DB7
15	A
16	K



SCALE 4:1



NOTE	ITEM	CONTENT	DATA	REV	TOLERANCE	SCALE	UNIT	DWYN	DATE	CUSTOMER	APVL	TITLE	MODEL	DWG. NO	PAGE
		CHANGE NUMBER	2004.03.01	0	X. ±0.30	1/1	mm	Gili	2004.03.01			MODULE	SC1601G	A-A1-0037	1/1
					X ±0.20										
					.XX±0.05										
SUNLIKE DISPLAY															