

PRODUCT SPECIFICATION

MONOCHROME LCD MODULE

PART NUMBER : FDA2002C

DESCRIPTION : 2x20 character

REVISION : Rev A

	Approval for Specification only		Approval for Sample Only
	Approval for Pre-production	x	Approval for Mass Production



FDA2002C (20 CHARACTERS x 2 LINES)

FEATURES

- ◆ 5 x 7 DOTS WITH CURSOR
- ◆ BUILT-IN CONTROLLER (KS0066 OR EQUIVALENT)
- ◆ 5 V POWER SUPPLY
- ◆ 1/16 DUTY CYCLE
- ◆ 4.2 V LED FORWARD VOLTAGE

MECHANICAL DATA

ITEM	DIMENSIONS	UNIT
Module Size (W x H x T)	180.0 x 40.0 x 14.5	mm
Viewing Area (W x H)	149.0 x 23.0	mm
Character Size (W x H)	6.00 x 9.66	mm
Character Pitch (W x H)	7.20 x 10.98	mm
Dot Size (W x H)	1.12 x 1.12	mm
Dot Pitch (W x H)	1.22 x 1.22	mm

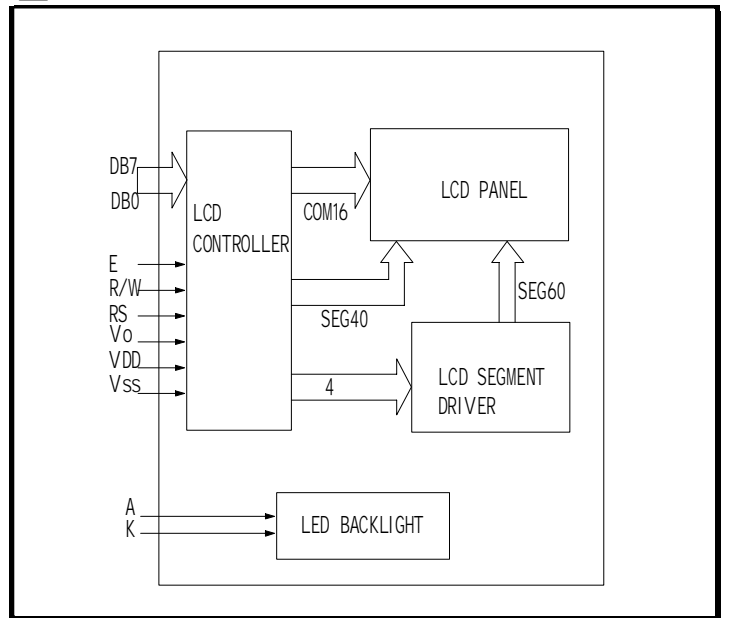
INTERFACE PIN CONNECTIONS

NO.	SYMBOL	FUNCTION	NO.	SYMBOL	FUNCTION
1	VSS	Supply Ground	9	DB2	Data Bit 2
2	VDD	Supply Voltage	10	DB3	Data Bit 3
3	Vo	Contrast Adj.	11	DB4	Data Bit 4
4	RS	Register Select	12	DB5	Data Bit 5
5	R/W	Read/Write	13	DB6	Data Bit 6
6	E	Enable Signal	14	DB7	Data Bit 7
7	DB0	Data Bit 0	15	K	LED Power
8	DB1	Data Bit 1	16	A	LED Power

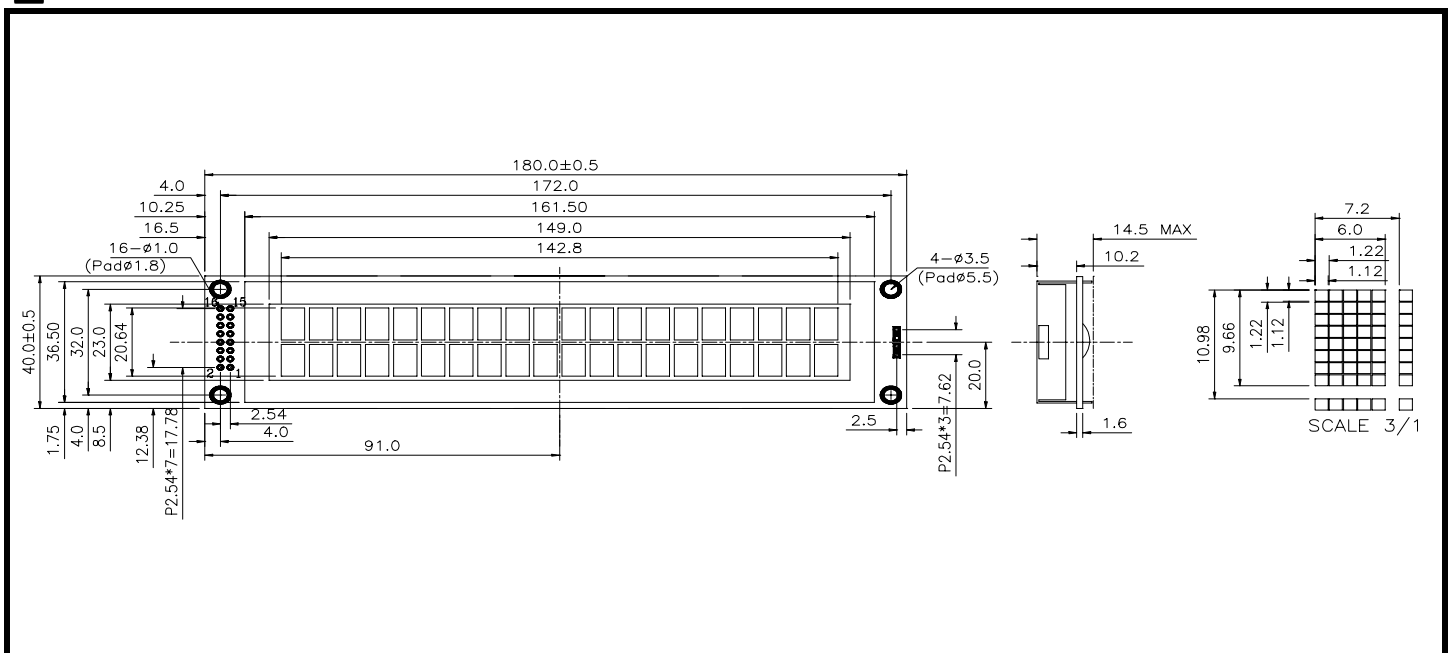
ELECTRICAL CHARACTERISTICS

ITEM	SYMBOL	CONDITION	MIN.	TYP.	MAX.	UNIT
LCD Operating Voltage	V _{DD-Vo}	T=0°C	-	4.8	-	V
		T=25°C	-	4.5	-	V
		T=50°C	-	4.2	-	V
Supply Voltage	V _{DD-VSS}	-	4.7	5	5.3	V
Supply Current	I _{DD}	-	-	3.2	6	mA
Input Voltage	"HIGH" Level	V _{IH}	-	2.2	-	V _{DD} V
	"LOW" Level	V _{IL}	-	0	-	0.6 V
Output Voltage	"HIGH" Level	V _{OH}	-	2.4	-	V
	"LOW" Level	V _{OL}	-	-	-	0.4 V

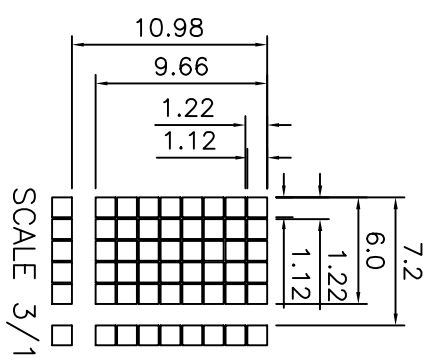
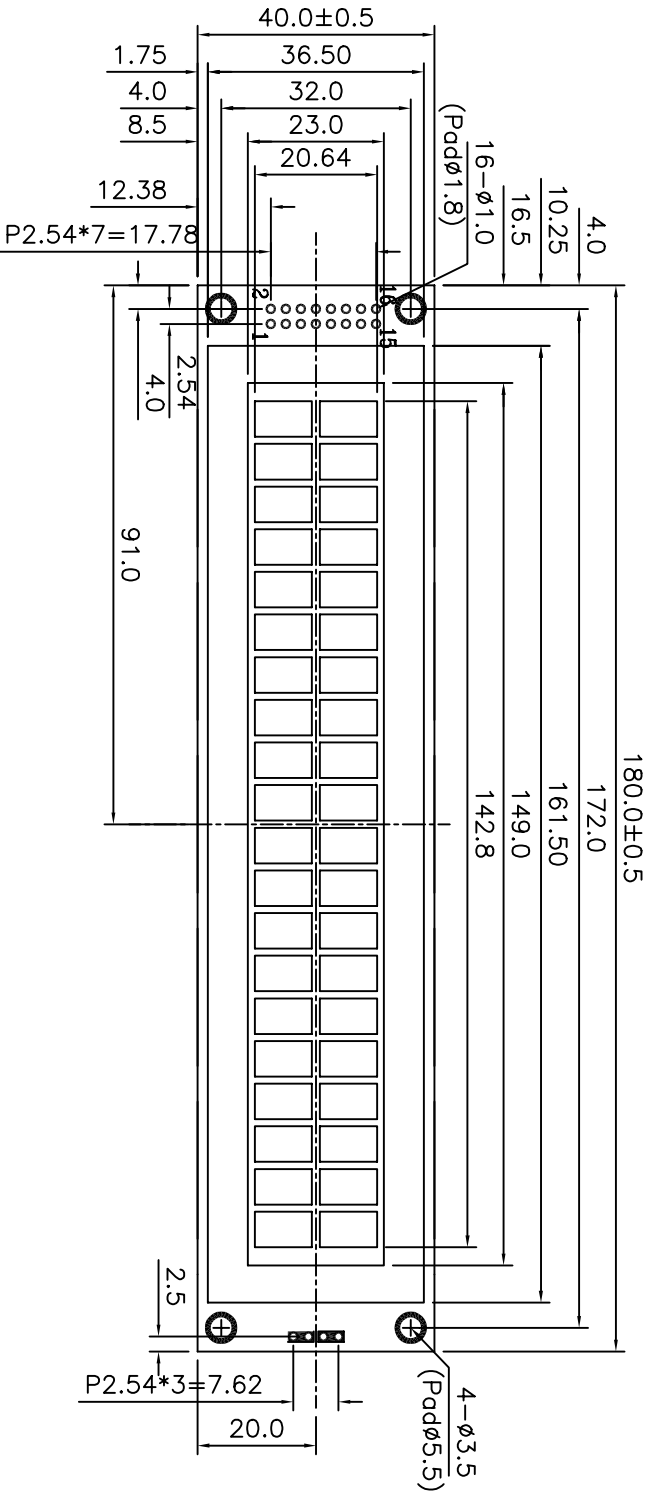
BLOCK DIAGRAM



EXTERNAL DIMENSIONS



PIN NO	SIGNAL
1	VSS
2	VDD
3	VO
4	RS
5	R/W
6	E
7	DB0
8	DB1
9	DB2
10	DB3
11	DB4
12	DB5
13	DB6
14	DB7
15	A
16	K



NOTE	ITEM	CONTENT	DATA	REV	TOLERANCE	SCALE	1/1	UNIT	mm	DWYN	DATE	CUSTOMER	APVL	TITLE	MODULE	MODEL	SC2002C	DWG NO	D-A1-0002	PAGE	1/1	
		NEW DRAWING	2001.09.28		X. ±0.30	APVD		CHKD														
		CHANGE NUMBER	2004.03.01	0	X ±0.20 .XX±0.05	Hsu		Hsu		G11i	2004.03.01											

SUNLIKE DISPLAY