

液晶之友 电话: 020-33819057
 Http://www.lcdfriends.com

PRODUCT SPECIFICATION

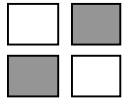
MONOCHROME LCD MODULE

PART NUMBER : FDA4002A

DESCRIPTION : 2x40 character

REVISION : Rev A

| | | | |
|--|---------------------------------|----------|------------------------------|
| | Approval for Specification only | | Approval for Sample Only |
| | Approval for Pre-production | x | Approval for Mass Production |



FDA4002A (40 CHARACTERS x 2 LINES)

FEATURES

- ◆ 5 x 7 DOTS WITH CURSOR
- ◆ BUILT-IN CONTROLLER (KS0066 OR EQUIVALENT)
- ◆ 5 V POWER SUPPLY
- ◆ 1/16 DUTY CYCLE
- ◆ 4.2 V LED FORWARD VOLTAGE

MECHANICAL DATA

| ITEM | DIMENSIONS | UNIT |
|---------------------------|---------------------------------|------|
| Module Size (W x H x T) | 182.0 x 33.5 x 8.8 (12.7 LED) | mm |
| Viewing Area (W x H) | 154.0 x 15.3 | mm |
| Character Size (W x H) | 3.20 x 5.55 | mm |
| Character Pitch (W x H) | 3.70 x 5.95 | mm |
| Dot Size (W x H) | 0.60 x 0.65 | mm |
| Dot Pitch (W x H) | 0.65 x 0.70 | mm |

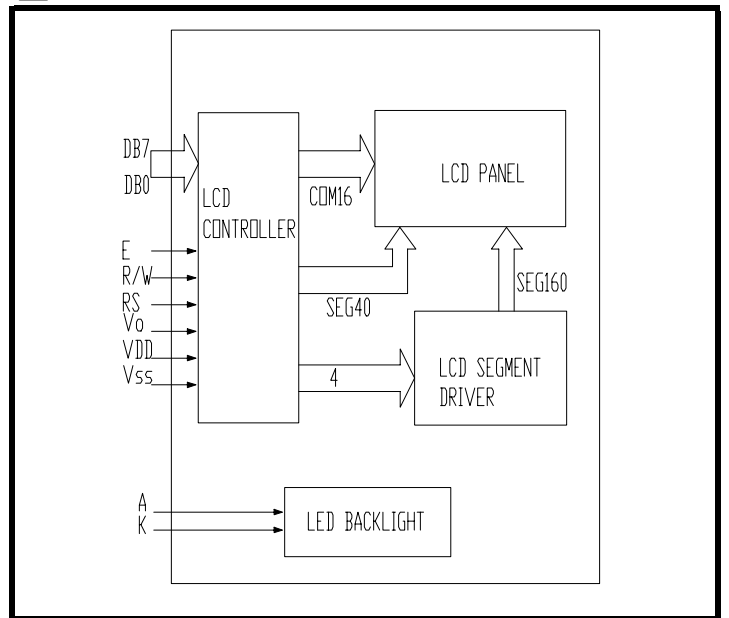
INTERFACE PIN CONNECTIONS

| NO. | SYMBOL | FUNCTION | NO. | SYMBOL | FUNCTION |
|-----|--------|-----------------|-----|--------|------------|
| 1 | VSS | Supply Ground | 9 | DB2 | Data Bit 2 |
| 2 | VDD | Supply Voltage | 10 | DB3 | Data Bit 3 |
| 3 | Vo | Contrast Adj. | 11 | DB4 | Data Bit 4 |
| 4 | RS | Register Select | 12 | DB5 | Data Bit 5 |
| 5 | R/W | Read/Write | 13 | DB6 | Data Bit 6 |
| 6 | E | Enable Signal | 14 | DB7 | Data Bit 7 |
| 7 | DB0 | Data Bit 0 | 15 | A | LED Power |
| 8 | DB1 | Data Bit 1 | 16 | K | LED Power |

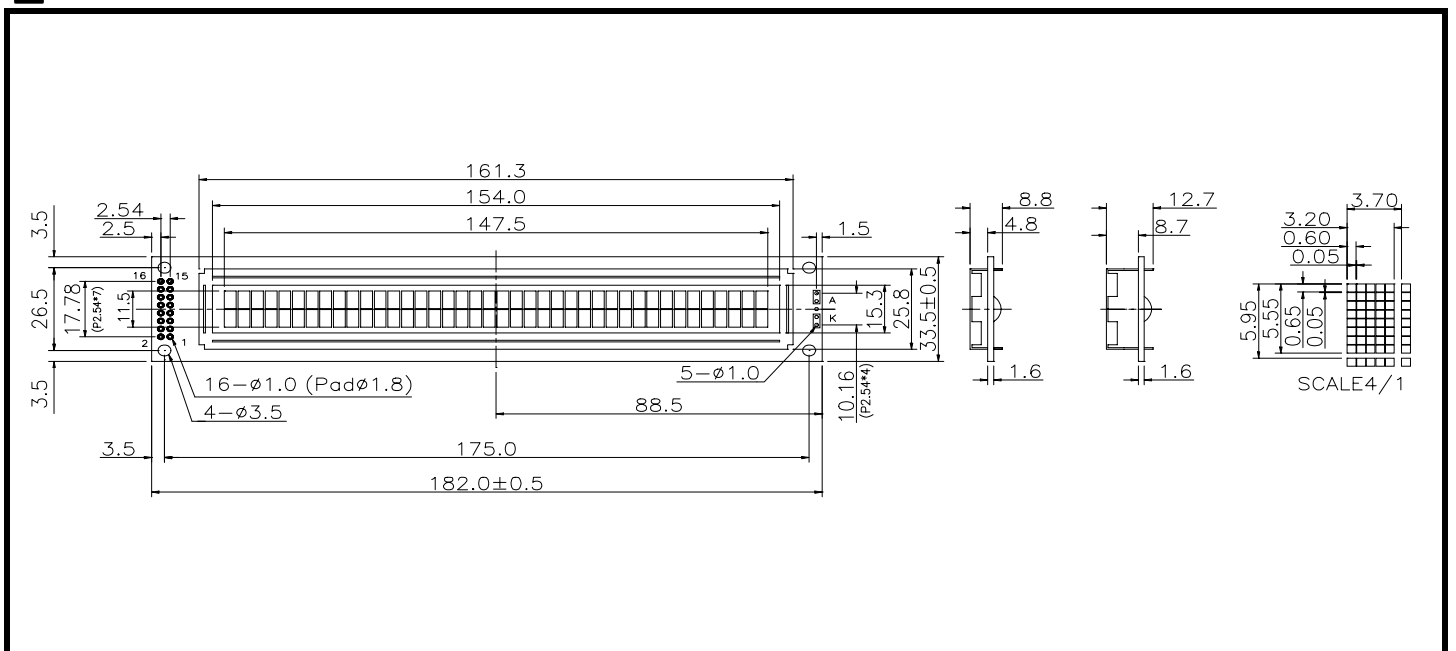
ELECTRICAL CHARACTERISTICS

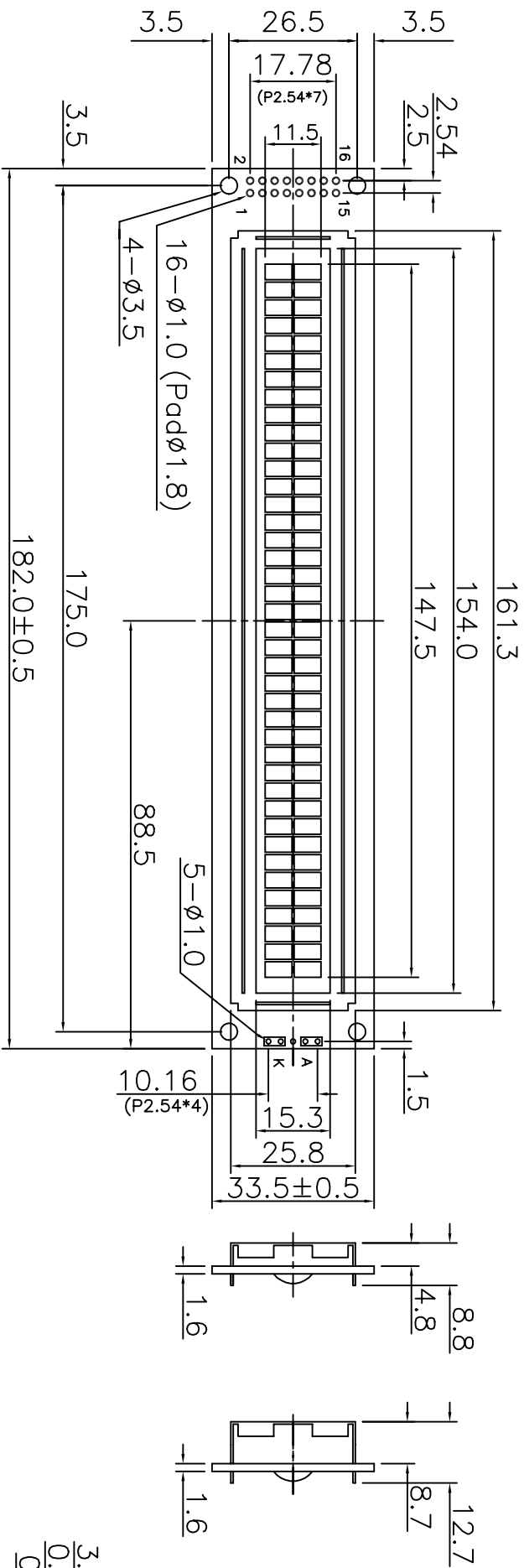
| ITEM | SYMBOL | CONDITION | MIN. | TYP. | MAX. | UNIT |
|-----------------------|---------------------|-----------------|------|------|------|-------------------|
| LCD Operating Voltage | V _{DD-Vo} | T=0°C | - | 4.8 | - | V |
| | | T=25°C | - | 4.5 | - | V |
| | | T=50°C | - | 4.2 | - | V |
| Supply Voltage | V _{DD-VSS} | - | 4.7 | 5 | 5.3 | V |
| Supply Current | I _{DD} | - | - | 3.2 | 6 | mA |
| Input Voltage | "HIGH" Level | V _{IH} | - | 2.2 | - | V _{DD} V |
| | "LOW" Level | V _{IL} | - | 0 | - | 0.6 V |
| Output Voltage | "HIGH" Level | V _{OH} | - | 2.4 | - | V |
| | "LOW" Level | V _{OL} | - | - | - | 0.4 V |

BLOCK DIAGRAM

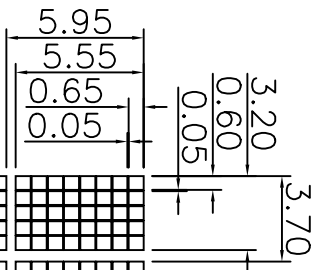


EXTERNAL DIMENSIONS





| PIN NO | SIGNAL |
|--------|--------|
| 1 | VSS |
| 2 | VDD |
| 3 | VO |
| 4 | RS |
| 5 | /RD |
| 6 | /WR |
| 7 | DB0 |
| 8 | DB1 |
| 9 | DB2 |
| 10 | DB3 |
| 11 | DB4 |
| 12 | DB5 |
| 13 | DB6 |
| 14 | DB7 |
| 15 | A |
| 16 | K |



SCALE 4:1

| NOTE | ITEM | CONTENT | DATA | REV | TOLERANCE | SCALE | UNT | DWYN | CUSTOMER | APVL | TITLE | MODEL | DWG NO | PAGE |
|------|------|---------------|------------|-----|---------------------------------|-------|-----|------|------------|------|-----------------|---------|-----------|------|
| | | CHANGE NUMBER | 2004.03.01 | 0 | X. ±0.30 X ±0.20 .XX±0.05 | 1/1 | mm | Gili | 2004.03.01 | | SUNLIKE DISPLAY | SC4002A | A-A1-0027 | 1/1 |