

液晶之友 电话: 020-33819057  
[Http://www.lcdfriends.com](http://www.lcdfriends.com)

# PRODUCT SPECIFICATION

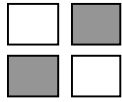
MONOCHROME LCD MODULE

PART NUMBER : FDA4004C

DESCRIPTION : 4x40 character

REVISION : Rev A

	Approval for Specification only		Approval for Sample Only
	Approval for Pre-production	<b>x</b>	Approval for Mass Production



# FDA4004C ( 40 CHARACTERS x 4 LINES )

## FEATURES

- ◆ 5 x 7 DOTS WITH CURSOR
- ◆ BUILT-IN CONTROLLER (KS0066 OR EQUIVALENT)
- ◆ 5 V POWER SUPPLY
- ◆ 1/16 DUTY CYCLE
- ◆ 4.2 V LED FORWARD VOLTAGE

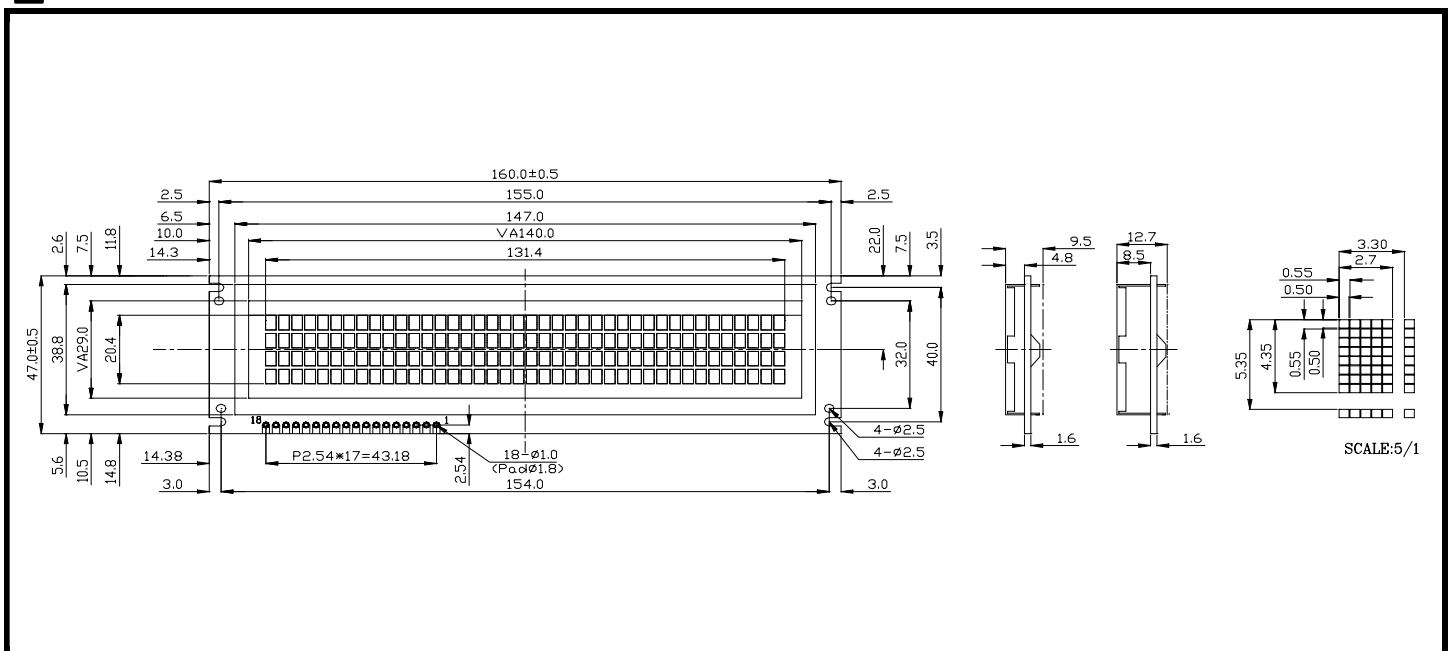
## MECHANICAL DATA

ITEM	DIMENSIONS	UNIT
Module Size ( W x H x T )	160.0 x 47.0 x 9.5(12.7)	mm
Viewing Area ( W x H )	140.0 x 29.0	mm
Character Size ( W x H )	2.70 x 4.35	mm
Character Pitch ( W x H )	3.30 x 5.35	mm
Dot Size ( W x H )	0.50 x 0.50	mm
Dot Pitch ( W x H )	0.55 x 0.55	mm

## INTERFACE PIN CONNECTIONS

NO.	SYMBOL	FUNCTION	NO.	SYMBOL	FUNCTION
1	VSS	Supply Ground	10	DB2	Data Bit 2
2	VDD	Supply Voltage	11	DB3	Data Bit 3
3	Vo	Contrast Adj.	12	DB4	Data Bit 4
4	RS	Register Select	13	DB5	Data Bit 5
5	R/W	Read/Write	14	DB6	Data Bit 6
6	E1	Enable IC1	15	DB7	Data Bit 7
7	E2	Enable IC2	16	A	LED Power
8	DB0	Data Bit 0	17	K	LED Power
9	DB1	Data Bit 1	18	NC	No Control

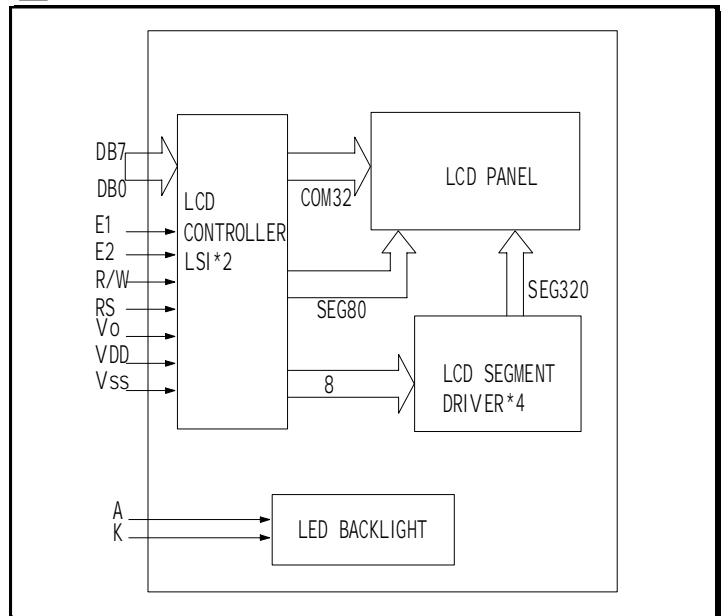
## EXTERNAL DIMENSIONS

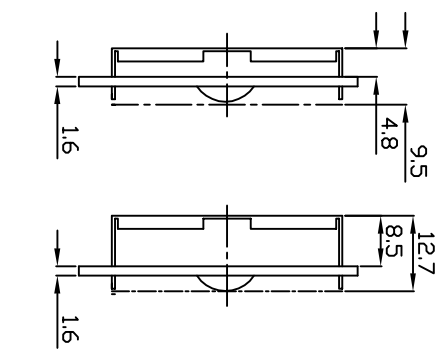
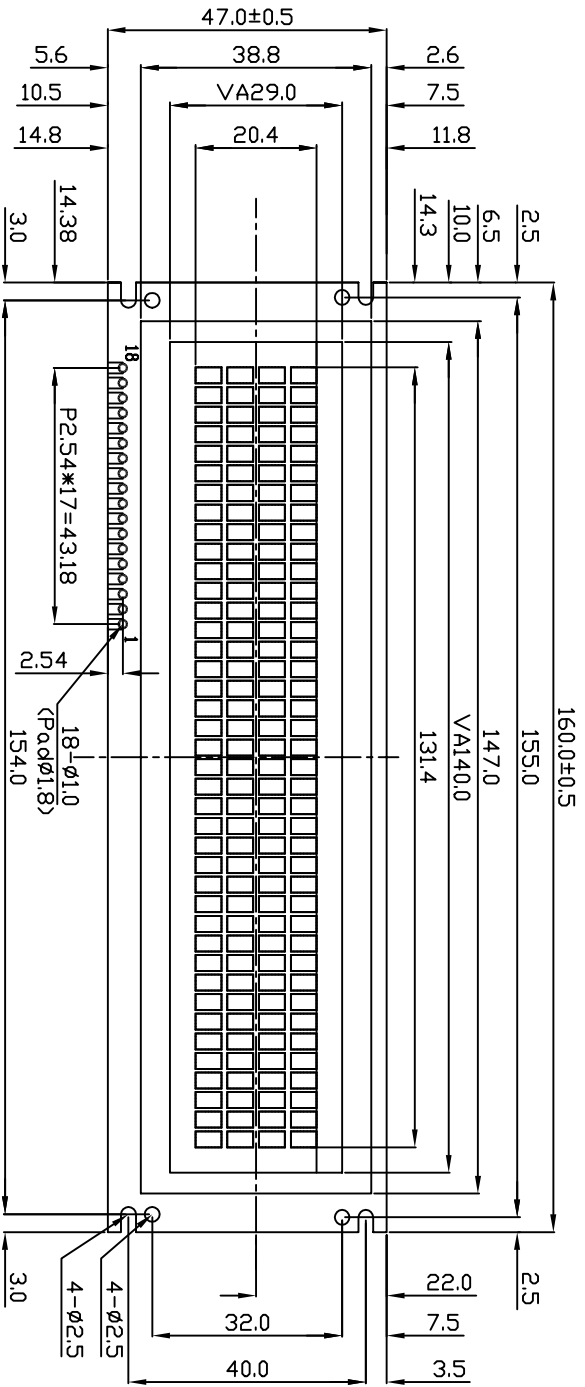


## ELECTRICAL CHARACTERISTICS

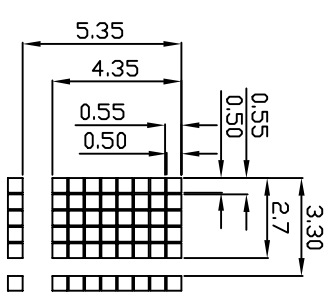
ITEM	SYMBOL	CONDITION	MIN.	TYP.	MAX.	UNIT
LCD Operating Voltage	V <sub>DD-Vo</sub>	T=0°C	-	4.8	-	V
		T=25°C	-	4.5	-	V
		T=50°C	-	4.2	-	V
Supply Voltage	V <sub>DD-VSS</sub>	-	4.7	5	5.3	V
Supply Current	I <sub>DD</sub>	-	-	5.2	10.8	mA
Input Voltage	"HIGH" Level	V <sub>IH</sub>	-	2.2	-	V <sub>DD</sub> V
	"LOW" Level	V <sub>IL</sub>	-	0	-	0.6 V
Output Voltage	"HIGH" Level	V <sub>OH</sub>	-	2.4	-	V
	"LOW" Level	V <sub>OL</sub>	-	-	-	0.4 V

## BLOCK DIAGRAM





PIN NO	SIGNAL
1	VSS
2	VDD
3	VO
4	RS
5	R/W
6	E1
7	E2
8	DB0
9	DB1
10	DB2
11	DB3
12	DB4
13	DB5
14	DB6
15	DB7
16	A
17	K
18	NC



SCALE 5:1

NOTE	ITEM	CONTENT	DATA	REV	TOLERANCE	SCALE	UNIT	CHKD	DWYN	DATE	CUSTOMER APVL	TITLE	MODEL	DWG. NO	PAGE
		CHANGE NUMBER	2004.03.01	0	X. ±0.30 X ±0.20 .XX±0.05	1/1	mm	Hsu	Gili	2004.03.01		MODULE	SC4004C	A-A1-0039	1/1
<b>SUNLIKE DISPLAY</b>															