

液晶之友 电话: 020-33819057
http://www.lcdfriends.com



PRODUCT SPECIFICATION

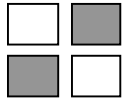
MONOCHROME LCD MODULE

PART NUMBER : FDAD1602E

DESCRIPTION : 2x16 character

REVISION : Rev A

Approval for Specification only		Approval for Sample Only
Approval for Pre-production	x	Approval for Mass Production



FDAD1602E (16 CHARACTERS x 2 LINES)

FEATURES

- ◆ 5 x 7 DOTS WITH CURSOR
- ◆ BUILT-IN CONTROLLER (KS0066 OR EQUIVALENT)
- ◆ 5 V POWER SUPPLY
- ◆ 1/16 DUTY CYCLE
- ◆ 4.2 V LED FORWARD VOLTAGE

MECHANICAL DATA

ITEM	DIMENSIONS	UNIT
Module Size (W x H x T)	66.7 x 23.3 x 5.2	mm
Viewing Area (W x H)	61.0 x 15.9	mm
Character Size (W x H)	2.95 x 5.55	mm
Character Pitch (W x H)	3.55 x 6.3	mm
Dot Size (W x H)	0.55 x 0.65	mm
Dot Pitch (W x H)	0.60 x 0.70	mm

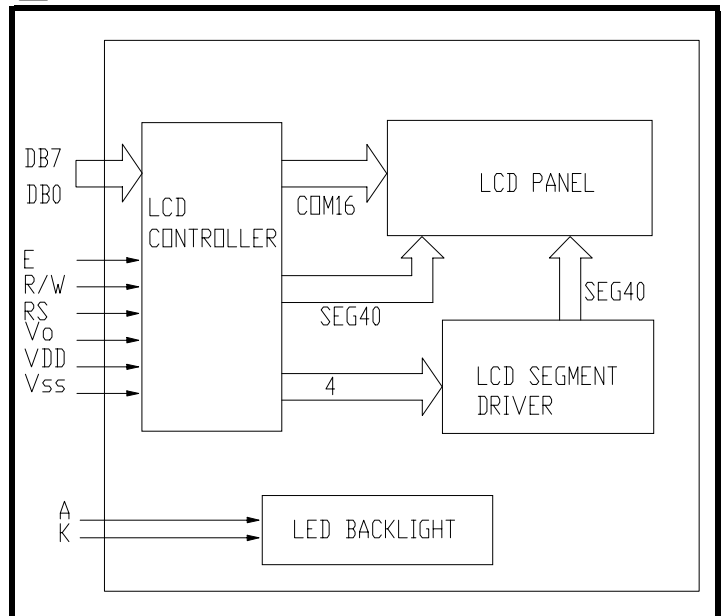
INTERFACE PIN CONNECTIONS

NO.	SYMBOL	FUNCTION	NO.	SYMBOL	FUNCTION
1	VDD	Supply Voltage	9	DB3	Data Bit 3
2	Vo	Contrast Adj.	10	DB4	Data Bit 4
3	RS	Register Select	11	DB5	Data Bit 5
4	R/W	Read/Write	12	DB6	Data Bit 6
5	E	Enable Signal	13	DB7	Data Bit 7
6	DB0	Data Bit 0	14	VSS	Supply Ground
7	DB1	Data Bit 1			
8	DB2	Data Bit 2			

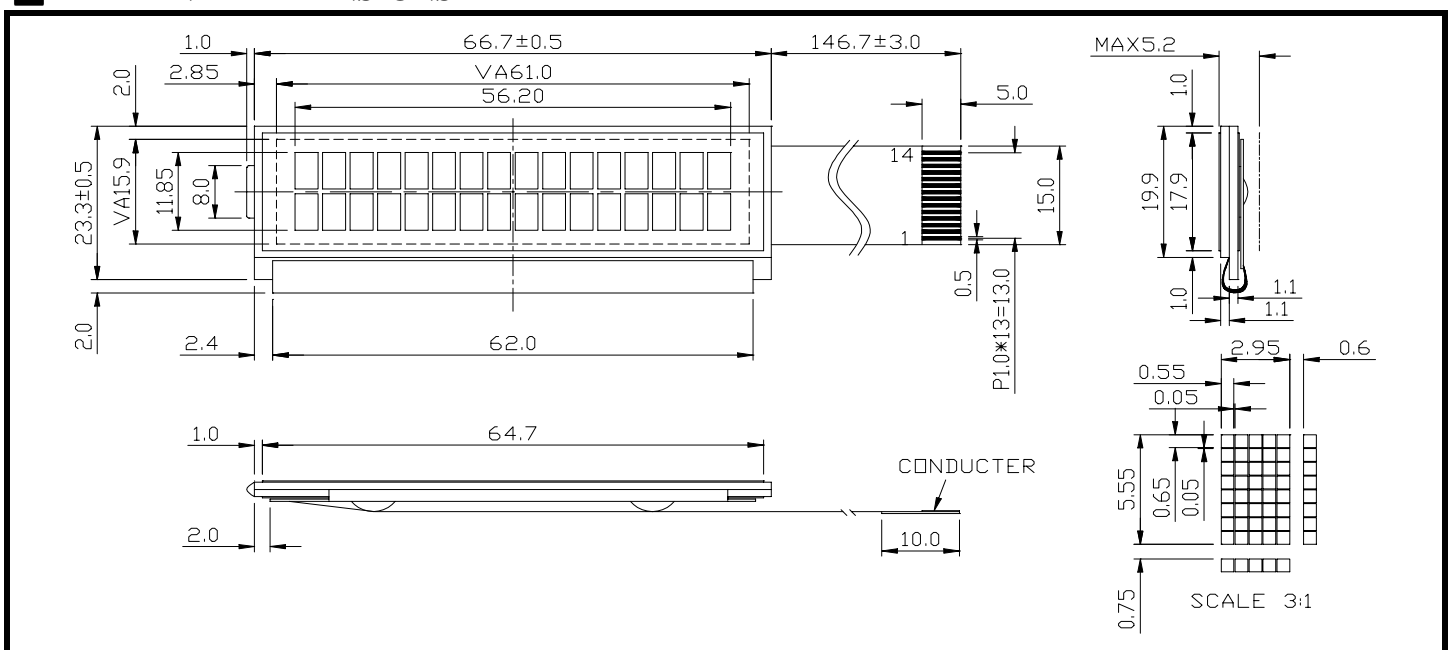
ELECTRICAL CHARACTERISTICS

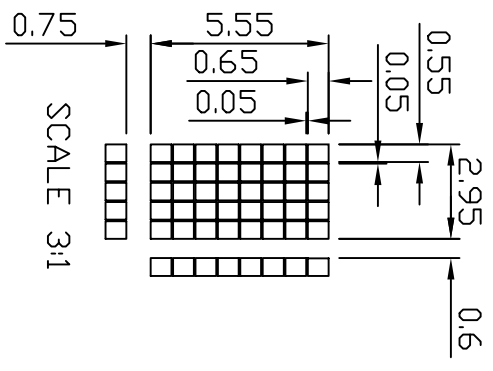
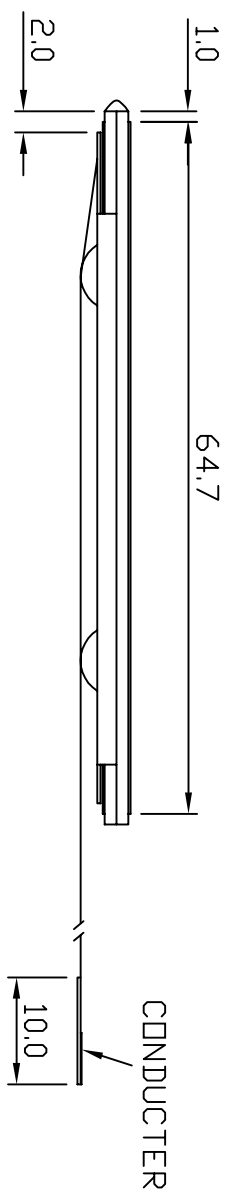
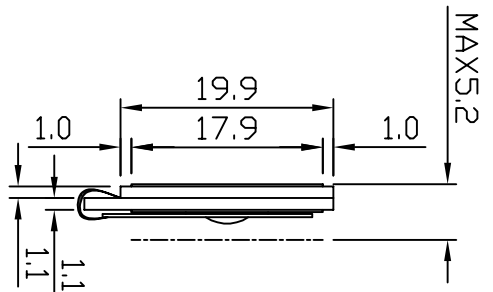
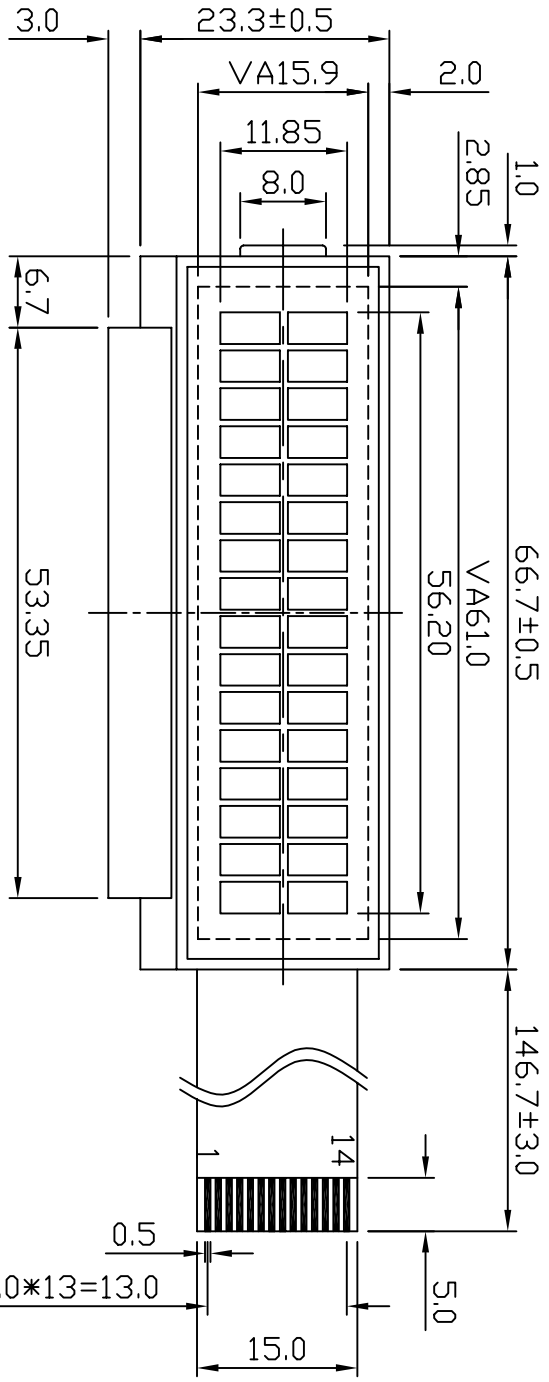
ITEM	SYMBOL	CONDITION	MIN.	TYP.	MAX.	UNIT
LCD Operating Voltage	V _{DD-Vo}	T=0°C	-	4.8	-	V
		T=25°C	-	4.5	-	V
		T=50°C	-	4.2	-	V
Supply Voltage	V _{DD-VSS}	-	4.7	5	5.3	V
Supply Current	I _{DD}	-	-	2	4	mA
Input Voltage	"HIGH" Level	V _{IH}	-	2.2	-	V _{DD} V
	"LOW" Level	V _{IL}	-	0	-	0.6 V
Output Voltage	"HIGH" Level	V _{OH}	-	2.4	-	V
	"LOW" Level	V _{OL}	-	-	-	0.4 V

BLOCK DIAGRAM



EXTERNAL DIMENSIONS





PIN NO	SIGNAL
1	VDD
2	VO
3	RS
4	R/W
5	E
6	D0
7	D1
8	D2
9	D3
10	D4
11	D5
12	D6
13	D7
14	VSS

NOTE	ITEM	CONTENT	DATA	REV	TOLERANCE	SCALE	APVD	CHKD	DWN	DATE	CUSTOMER APVL	TITLE	MODEL	DWG NO	PAGE
		CHANGE NUMBER	2004.08.16	0	X. ±0.30 X ±0.20 .XX±0.05	1/1	Hsu	Hsu	Gili	2004.08.16		MODULE	SD1602E	A-A3-0024	1/1
SUNLIKE DISPLAY															