

液晶之友 电话: 020-33819057  
Http://www.lcdfriends.com



# PRODUCT SPECIFICATION

MONOCHROME LCD MODULE

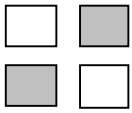
PART NUMBER : FDG122032A

DESCRIPTION : 32x122Graphic

REVISION : Rev A

	Approval for Specification only		Approval for Sample Only
	Approval for Pre-production	<b>x</b>	Approval for Mass Production

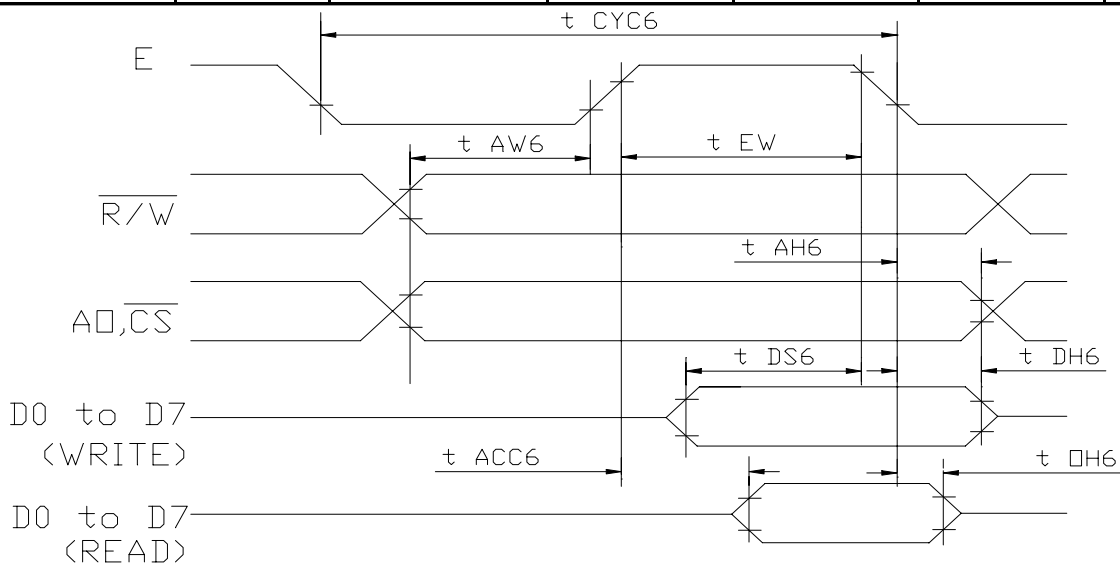




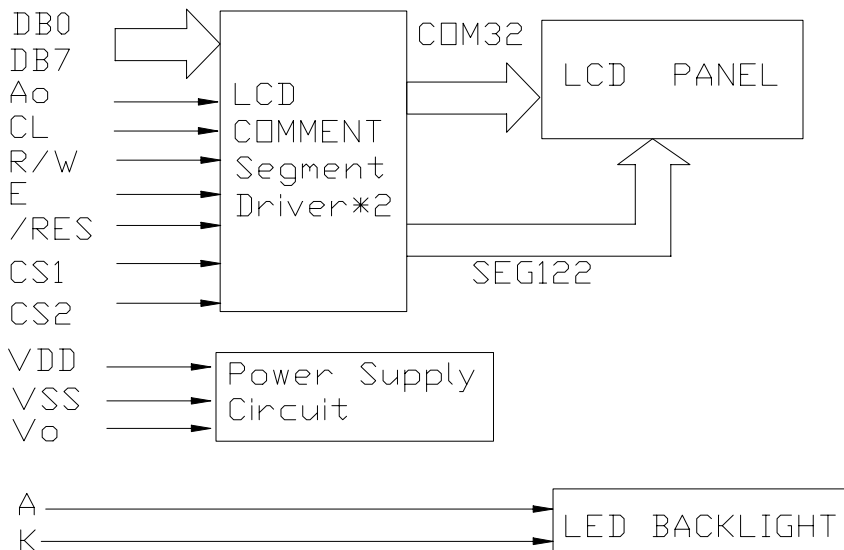
# FDG122032A ( 122 DOTS X 32 DOTS )

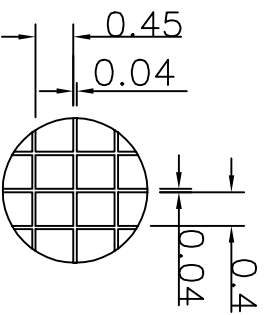
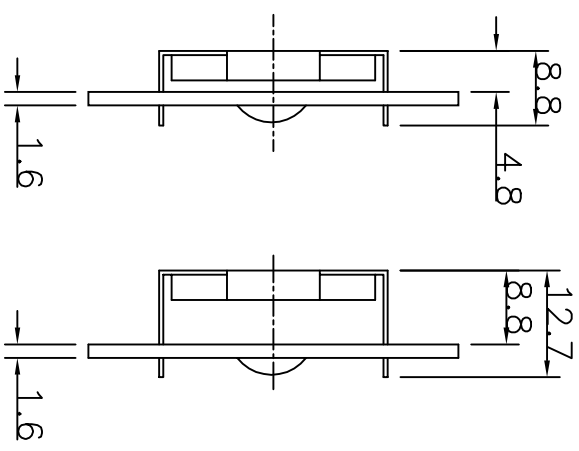
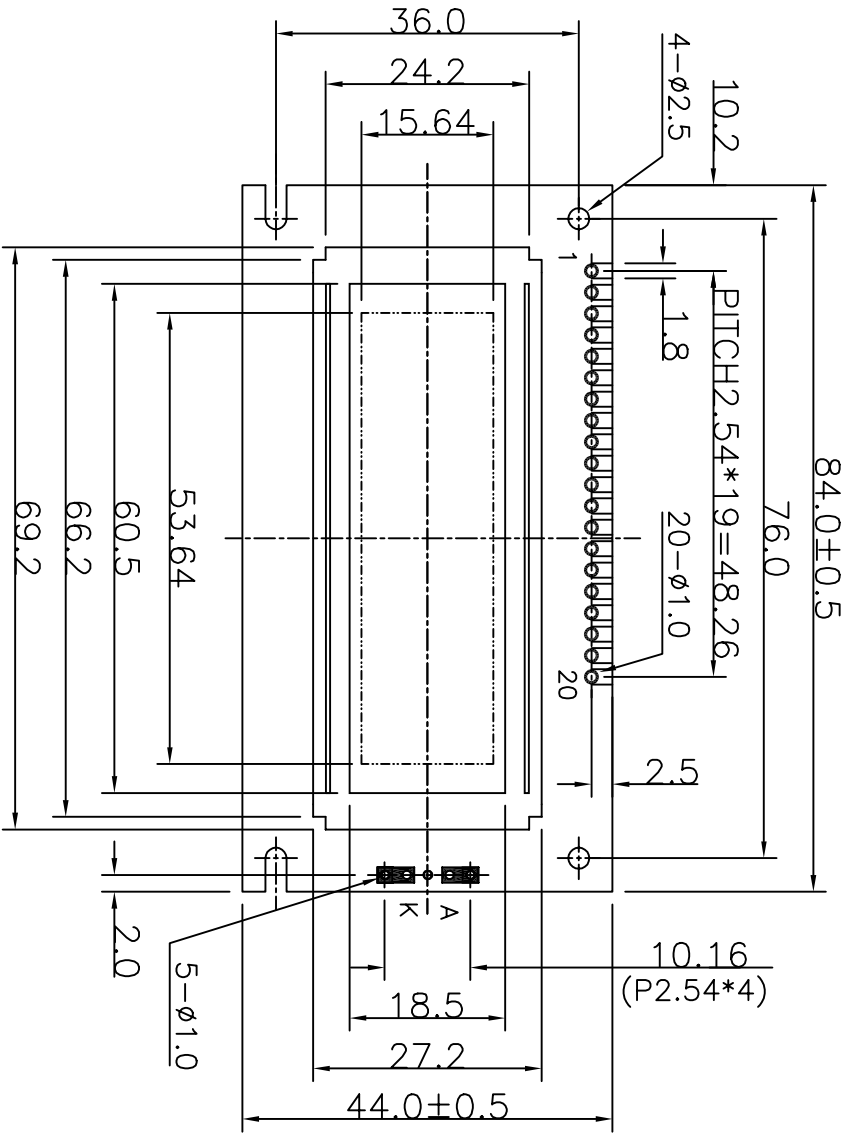
## TIMING CHARACTERISTICS

ITEM	SYMBOL	MIN.	TYP.	MAX.	UNIT.
System Cycle Time	$t_{CYC6}$	1000	-	-	ns
Address Set-up Time	$t_{AW6}$	20	-	-	ns
Address Hold Time	$t_{AH6}$	10	-	-	ns
Data Set-up Time	$t_{DS6}$	80	-	-	ns
Data Hold Time	$t_{DH6}$	10	-	-	ns
Output Disable Time	$t_{OH6}$	10	-	60	ns
Access Time	$t_{ACC6}$	-	-	90	ns
Enable Pulse Width	Read	$t_{EW}$	-	-	ns
	Write				



## BLOCK DIAGRAM





SCALE 10:1

PIN NO	SIGNAL
1	VSS
2	VDD
3	VO
4	AO
5	CS1
6	CS2
7	CL
8	E
9	R/W
10	DB0
11	DB1
12	DB2
13	DB3
14	DB4
15	DB5
16	DB6
17	DB7
18	RES
19	A
20	K

NOTE	ITEM	CONTENT	DATA	REV	TOLERANCE	SCALE	UNIT	DWYN	CUSTOMER	APVL	TITLE	MODEL	DWG NO	PAGE
		CHANGE NUMBER	2004.03.01	0	X. ±0.30 X ±0.20 .XX±0.05	1/1	mm	Gilli	2004.03.01		MODULE	SG12232A	A-A2-0003	1/1
<b>SUNLIKE DISPLAY</b>														