

液晶之友 电话: 020-33819057
 Http://www.lcdfriends.com

PRODUCT SPECIFICATION

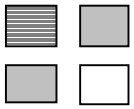
MONOCHROME LCD MODULE

PART NUMBER : FDG128064G

DESCRIPTION : 64x128Graphic

REVISION : Rev A

	Approval for Specification only		Approval for Sample Only
	Approval for Pre-production	x	Approval for Mass Production

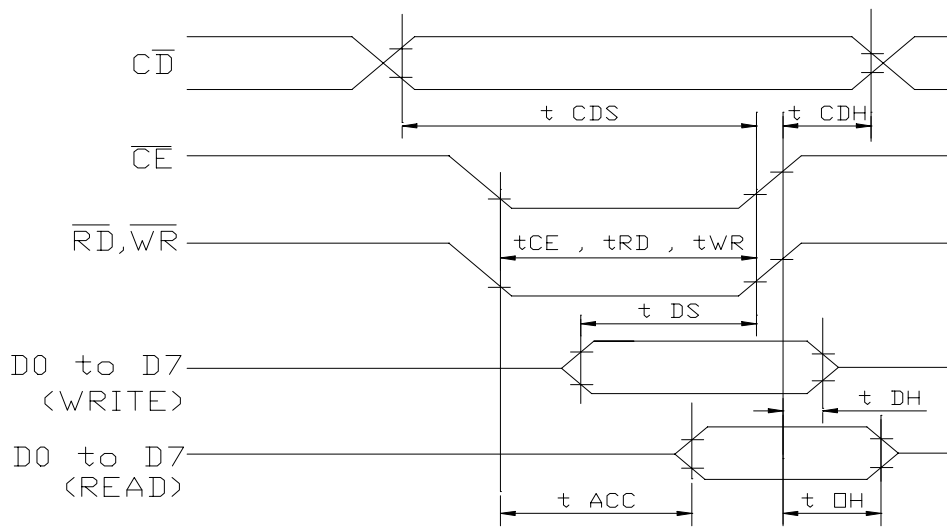


FDG128064G (128 DOTS X 64 DOTS)

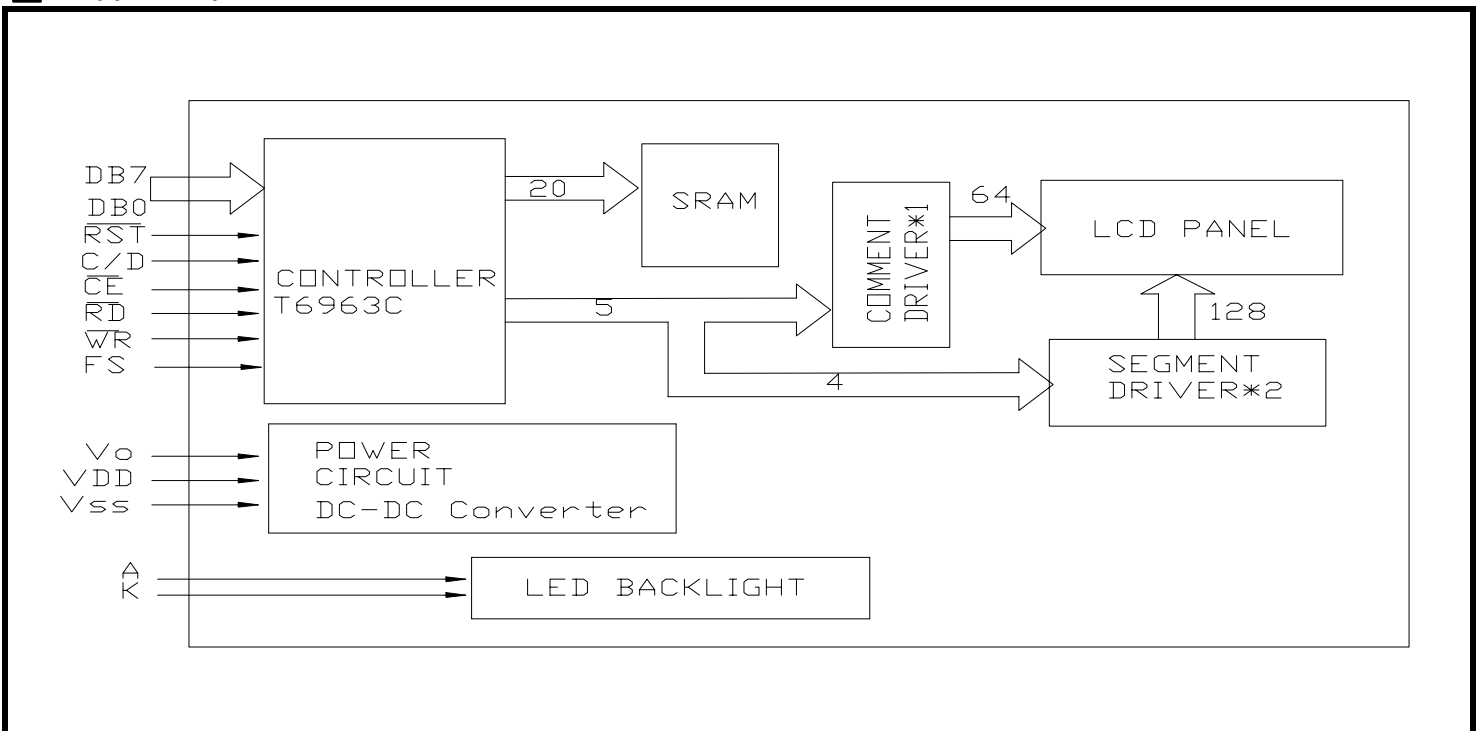
■ TIMING CHARACTERISTICS

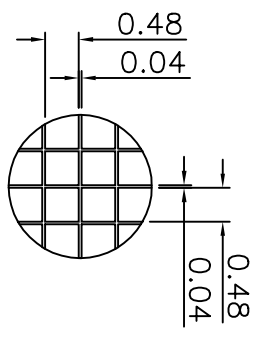
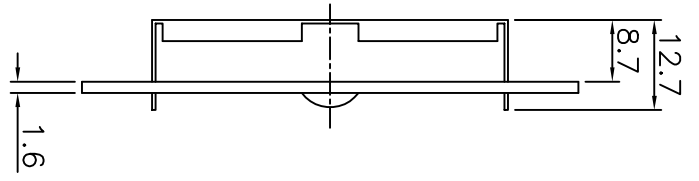
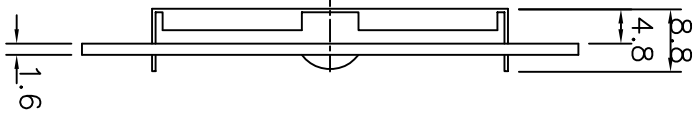
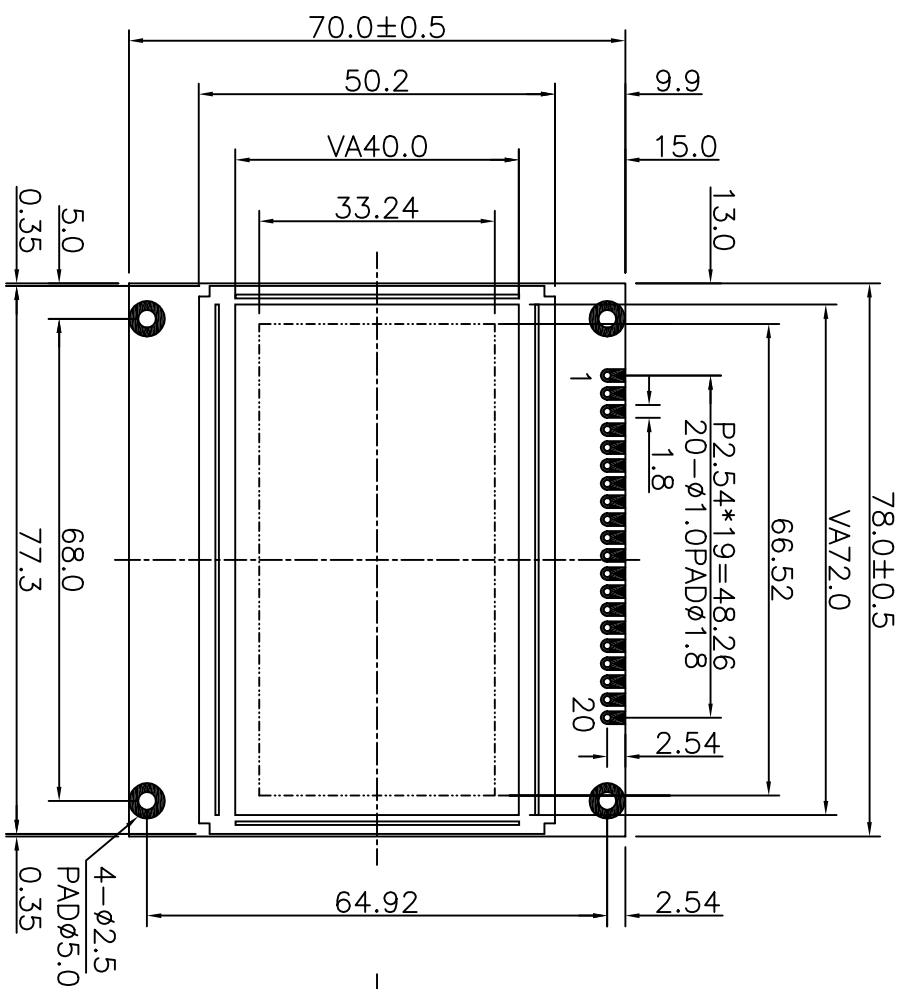
ITEM	SYMBOL	MIN.	MAX.	UNIT.
C/D Setup Time	t_{CDS}	100	-	ns
C/D Hold Time	t_{CDH}	10	-	ns
CE, RD,WR Pulse Width	t_{CE}, t_{RD}, t_{WR}	80	-	ns
Data Setup Time	t_{DS}	80	-	ns
Data Hold Time	t_{DH}	40	-	ns
Access Time	t_{ACC}	-	150	ns
Output Hold Time	t_{OH}	10	50	ns

Bus Timing



■ BLOCK DIAGRAM





SCALE10/1

PIN NO	SIGNAL
1	FG
2	VSS
3	VDD
4	VO
5	/WR
6	/RD
7	/CE
8	/CD
9	/RST
10	DB0
11	DB1
12	DB2
13	DB3
14	DB4
15	DB5
16	DB6
17	DB7
18	FS
19	A
20	K

NOTE	ITEM	CONTENT	DATA	REV	TOLERANCE	SCALE	UNIT	DWYN	DATE	CUSTOMER APVL	TITLE	DWG NO	PAGE
		NEW DRAWING	2004.04.13		X. ±0.30 X ±0.20 .XX±0.05	1/1	mm	Gili	2004.04.13		MODULE MODEL SG12864G	D-A1-0062	1/1

SUNLIKE DISPLAY