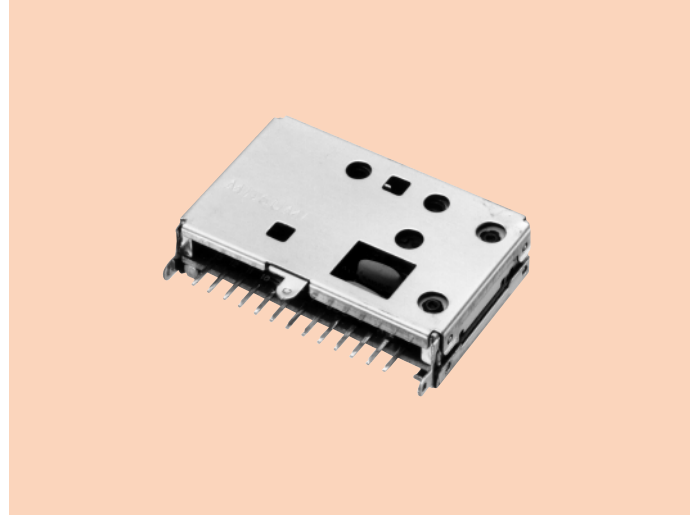


Super Compact, FM Multiple Tuner FE347-J01

FEATURES

1. Ultra-small three gang tuner.
2. Support to VICS of FM multiple.
3. FM-DET and PLL circuits are provided.
4. Center IF is 15MHz.
5. Vertical type and also can be made horizontal type.

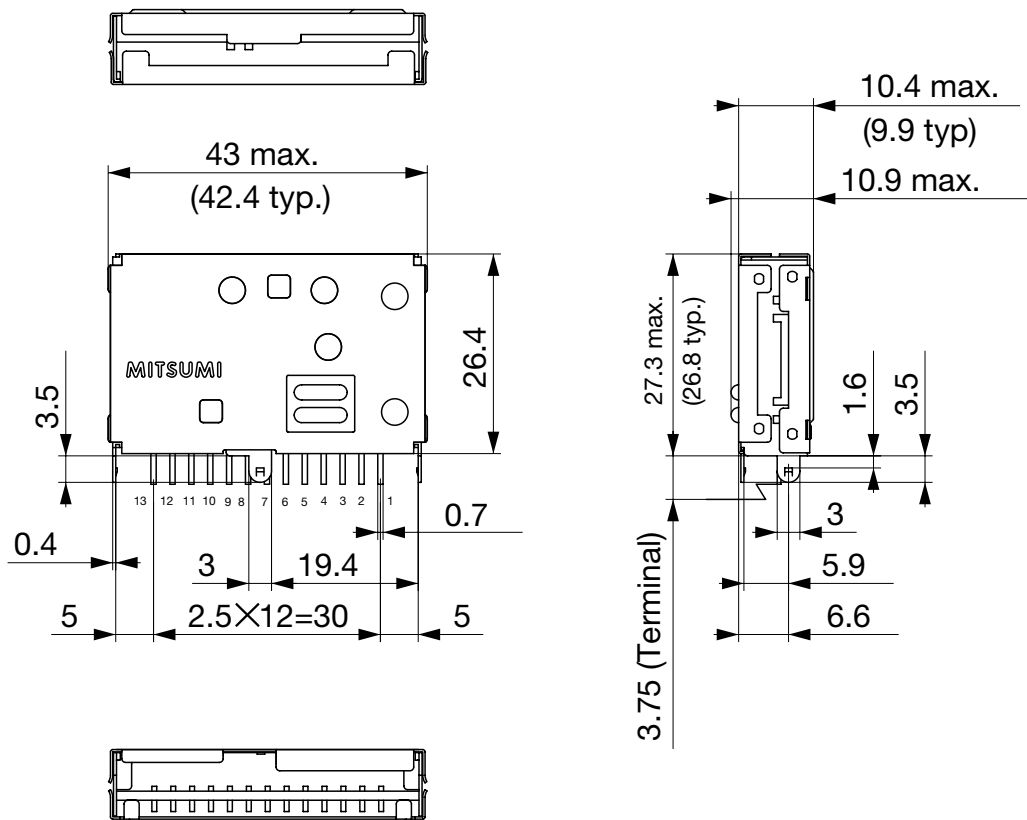


SPECIFICATIONS

Item	FE347-J01
Supply Voltage	V _{CC} : 8.0V/V _{DD} : 5.0V
Current Consumption	80mA/2mA
Tuning Range	76-90MHz
Tuning Voltage	PLL Circuit
Input Impedance	75Ω unbalanced
Center IF	15MHz
S/N 5dB Sensitivity (For modulation frequency 76kHz, 4% modulation factor)	40dBμ max. (34dBμ typ.)
Image Rejection	35dB min. (60dB typ.)
IF Rejection	80dB min. (100dB typ.)
DET Output Voltage	350±150mV/rms

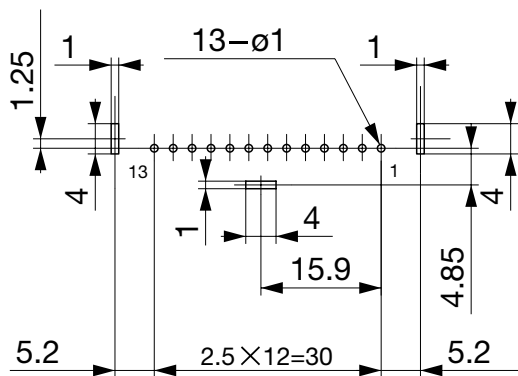
*Note Specifications subject to change without notice.

DIMENSIONS



S=1/1

EXTERNAL TERMINALS	
1. ANT	8. VDD (5V)
2. GND	9. GND
3. S-METER	10. DI
4. GND	11. CE
5. Vcc (8V)	12. DO
6. DET OUT	13. CL
7. SD	



Unit : mm
General Tolerance : ±0.5