

FFA940 SERIES

FLYBACK TRANSFORMER Multi layer type

Picture



Feature

- . Multi layer type
- . Pre-load type
- . Pin configuration : "U"
- . Safety approval : UL/CSA/VDE
- . For TV 25" ~ 34"

Specification

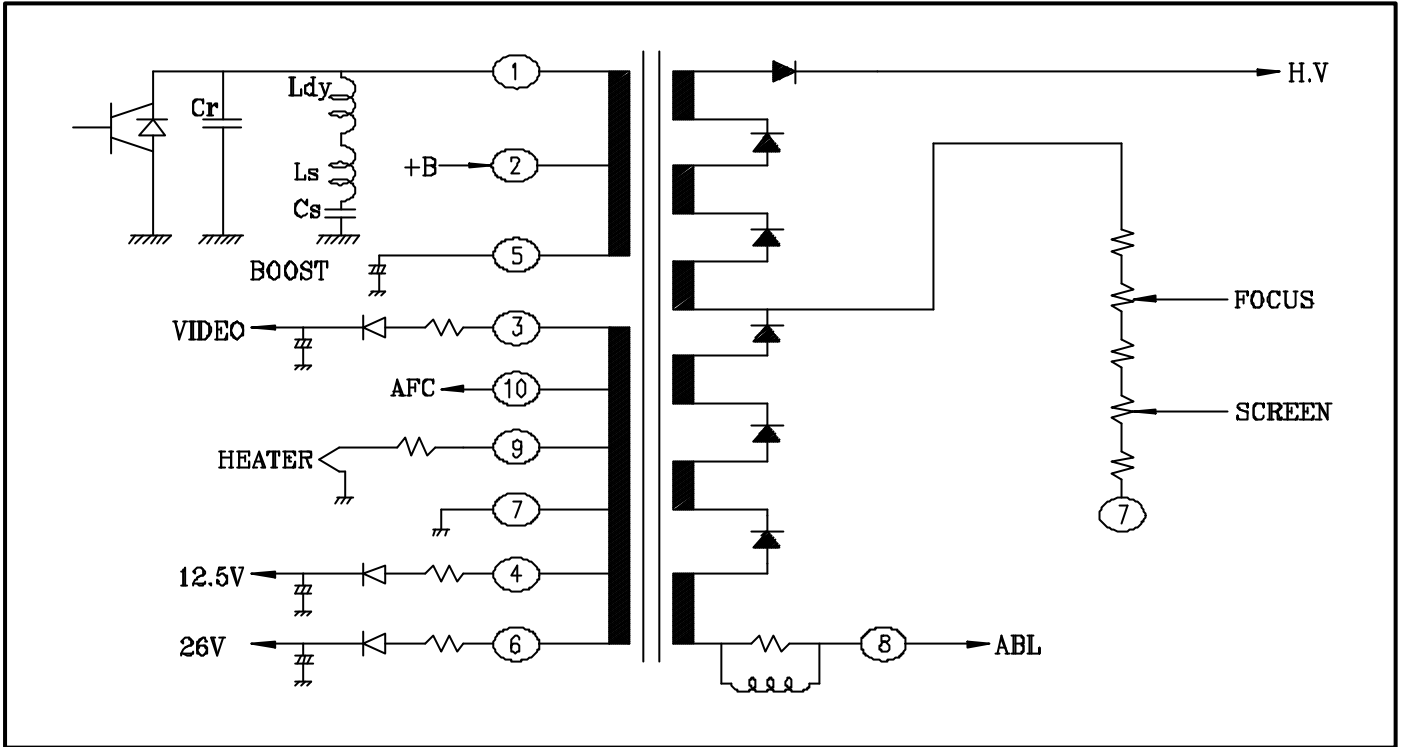
a. General

Maximum Rating				Normal Rating			
Power	HV	Focus	Screen	Power	HV	Focus	Screen
120W	34 kV	35%	1300V	82W	27.3 kV	25% ~ 32%	300V ~ 900V

b. Typical Model Specification (Model Name : FFA94048L)

Item	Inch		Frequency		Ldy (Horizontal)		Ct		Cs	
SET Condition	TV 25" ~ 29"		15.734 kHz		1.40 mH		12200 pF		0.36 uF	
Pin NO.	1	2	3	4	5	6	7	8	9	10
Circuit	Vcp	+B	VIDEO	12.5 Vdc	BOOST	26 Vdc	GND	ABL	HEATER	AFC
Output	1140 Vp-p	132 Vdc	209 Vdc	12.9 Vdc	145 Vdc	27.4 Vdc	-	-	6.1 Vrms	85 Vp-p

c. Circuit Diagram (Model Name : FFSA94048L)



Drawing

