

Item No. FG1211A1

DS3701 K1061

Rev.	Spec. No.	Date(M-D-Y)
0	P-R	Dec.-21-89
0	T-R	Jan.-05-90
1	T-R1	Mar.-12-90
2	T-R2	Apr.-15-95

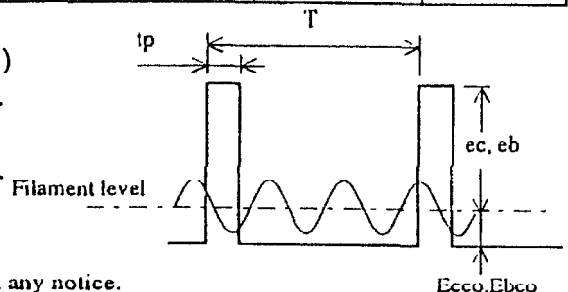
1. Ratings

Parameter	Symbol	Minimum	Typical	Maximum	Unit
Operating Temperature	T _o	-40	-	+85	°C
Storage Temperature	T _s	-50	-	+85	°C
Filament Voltage	E _f #1	5.1	5.7	6.3	Vac
Grid Voltage	e _c #2	-	28.0	34.0	Vp-p
Anode Voltage	e _b #2	-	28.0	34.0	Vp-p
Color of illumination					

2. Electrical Characteristics

Parameter	Symbol	Test condition	Minimum	Typical	Maximum	Unit
Filament Current	I _f	E _f = 5.7 Vac #1 e _c =e _b = 0 V	90.0	100.0	110.0	mAac
Grid Current	i _c #3	E _f = 5.7 Vac #1 e _c = 28.0 Vp-p #2 e _b = 28.0 Vp-p #2	-	7.0	14.0	mA _{p-p}
Anode Current	i _b #3	E _f = 5.7 Vac #1 e _c = 28.0 Vp-p #2 e _b = 28.0 Vp-p #2	-	10.0	18.0	mA _{p-p}
Luminance	L	E _f = 5.7 Vac #1 e _c = 28.0 Vp-p #2 e _b = 28.0 Vp-p #2	350 (102)	- -	- -	cd/m ² (fL)
Grid Cut-Off Voltage	E _{cco} #4	E _f = 5.7 Vac #1 E _b = 28.0 Vdc	-7.0	-	-	Vdc
Anode Cut-Off Voltage	E _{bco} #4	E _f = 5.7 Vac #1 e _c = 28.0 Vp-p #2	-5.0	-	-	Vdc

- #1 Effective value at 50 or 60 Hz sine wave.
- #2 Test condition: Duty factor (Du) = 1/22 (tp / T)
Pulse width (tp) = 100 μ sec.
- #3 Unless specified, the grid and anode current are measured per each grid, when all anodes turned on.
- #4 With respect to center-tap. of filament transformer.

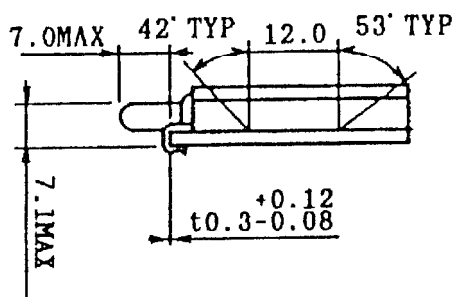
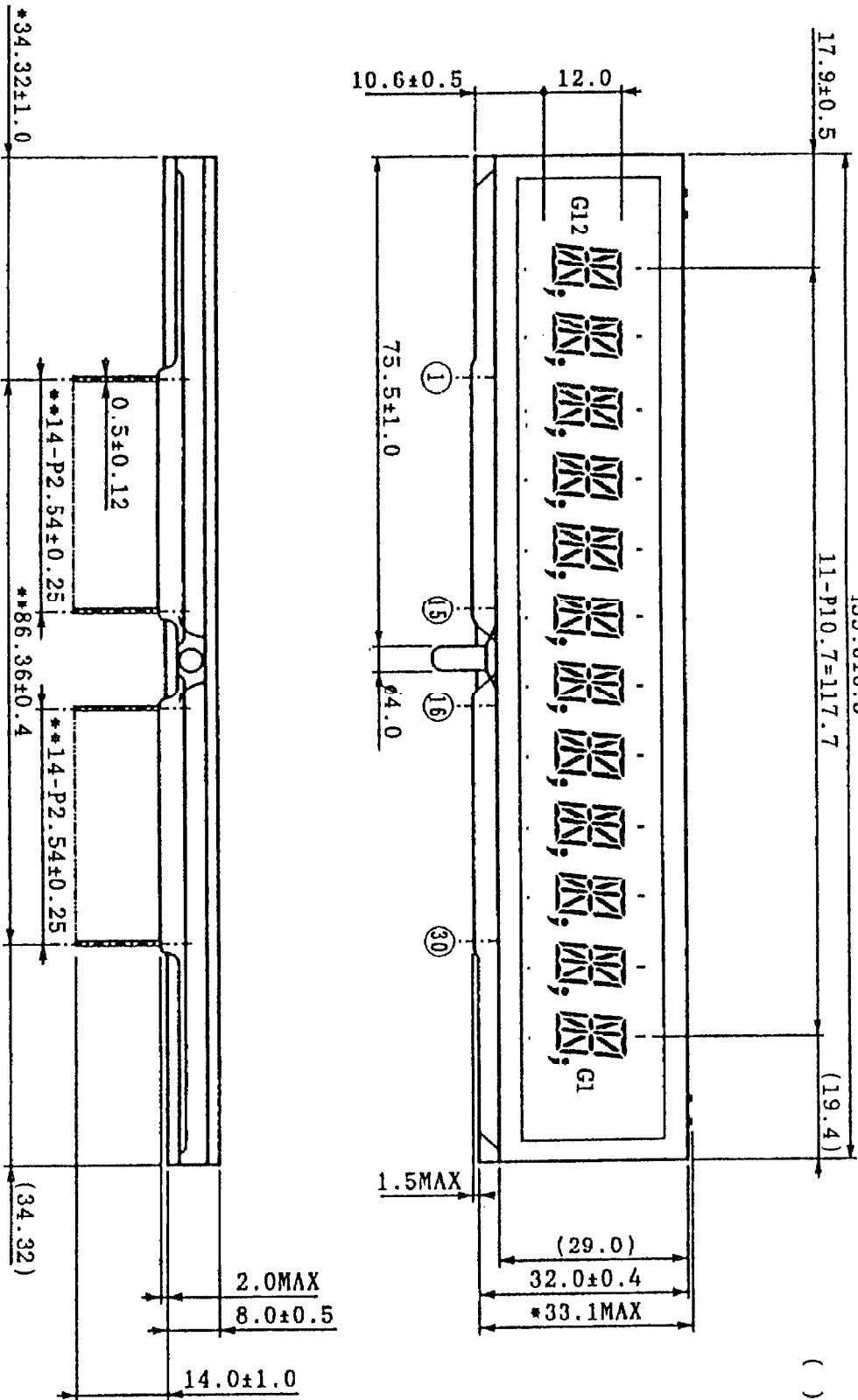


This specification is subject to change for improvement without any notice.

*156.7MAX
155.0±0.5

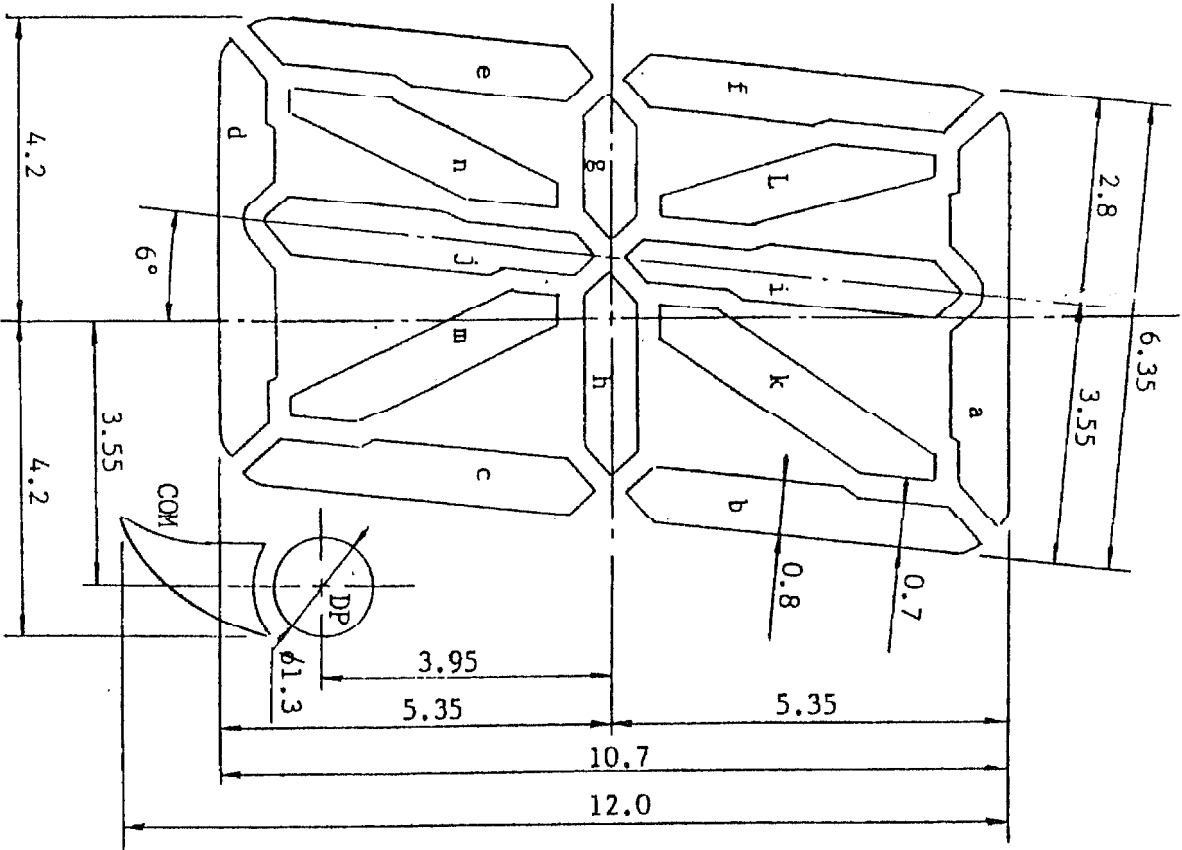
(): Reference only

DS3701
Unit : mm
Scale 1:1



* Included extra frit glass and metal frame.
** Within 3 mm from bottom of the glass substrate.

FG1211A1 : Display Pattern & Pin Assignment



PIN ASSIGNMENT

Pin No.	1	2	3	4	5	6	7	8	9	10
Assignment	F	Pk	P1	PL	Pn	Pm	Pj	Pc	Pd	G12
	11	12	13	14	15	16	17	18	19	20
	G11	G10	G9	G8	G7	G6	G5	G4	G3	G2
	21	22	23	24	25	26	27	28	29	30
	G1	PCOM	PDP	Pe	Ph	Pg	Pf	Pb	Pa	F