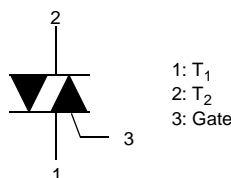
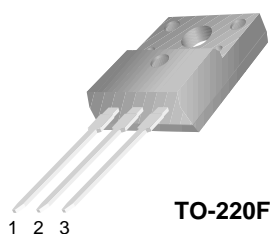




FKPF12N60 / FKPF12N80

Application Explanation

- Switching mode power supply, light dimmer, electric flasher unit, hair drier
- TV sets, stereo, refrigerator, washing machine
- Electric blanket, solenoid driver, small motor control
- Photo copier, electric tool



Bi-Directional Triode Thyristor Planar Silicon

Absolute Maximum Ratings $T_C=25^\circ\text{C}$ unless otherwise noted

Symbol	Parameter	Rating		Units
		FKPF12N60	FKPF12N80	
V_{DRM}	Repetitive Peak Off-State Voltage ^(Note1)	600	800	V

Symbol	Parameter	Conditions	Rating	Units
$I_{\text{T(RMS)}}$	RMS On-State Current	Commercial frequency, sine full wave 360° conduction, $T_C=82^\circ\text{C}$	12	A
I_{TSM}	Surge On-State Current	60Hz sinewave 1 full cycle, peak value, non-repetitive	120	A
I^2t	I^2t for Fusing	Value corresponding to 1 cycle of halfwave 60Hz, surge on-state current	60	A ² s
di/dt	Critical Rate of Rise of On-State Current	$I_G = 2 \times I_{\text{GT}}$, $t_r \leq 100\text{ns}$	50	A/ μs
P_{GM}	Peak Gate Power Dissipation	$T_C = +80^\circ\text{C}$, Pulse Width = 1.0 μs	5	W
$P_{\text{G(AV)}}$	Average Gate Power Dissipation	$T_C = +80^\circ\text{C}$, $t = 8.3\text{ms}$	0.5	W
V_{GM}	Peak Gate Voltage		10	V
I_{GM}	Peak Gate Current	Pulse Width $\leq 1.0\mu\text{sec}$; $T_C = 90^\circ\text{C}$	2	A
T_J	Junction Temperature		- 40 ~ 125	$^\circ\text{C}$
T_{STG}	Storage Temperature		- 40 ~ 125	$^\circ\text{C}$
V_{ISO}	Isolation Voltage	$T_a=25^\circ\text{C}$, AC 1 minute, T_1 T_2 G terminal to case	1500	V

Thermal Characteristic

Symbol	Parameter	Test Condition	Min.	Typ.	Max.	Units
$R_{\text{th(J-C)}}$	Thermal Resistance	Junction to case ^(Note 4)	-	-	3.0	$^\circ\text{C/W}$

FKPF12N60 / FKPF12N80

Electrical Characteristics $T_C=25^\circ\text{C}$ unless otherwise noted

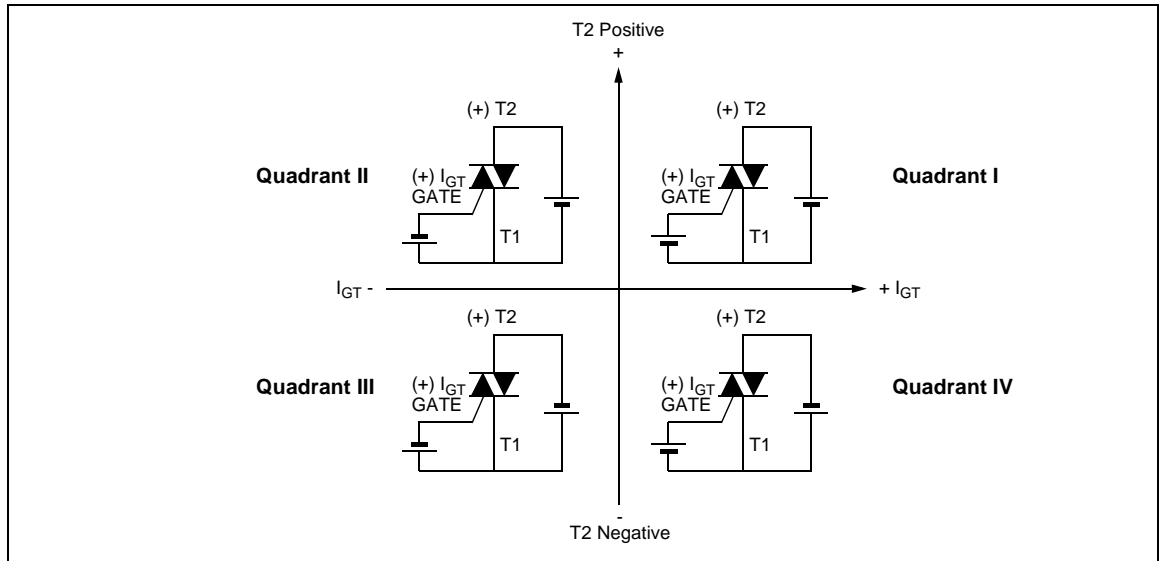
Symbol	Parameter	Test Condition	Min.	Typ.	Max.	Units		
I_{DRM}	Repetitive Peak Off-State Current	V_{DRM} applied	-	-	20	μA		
V_{TM}	On-State Voltage	$T_C=25^\circ\text{C}$, $I_{\text{TM}}=17\text{A}$ Instantaneous measurement	-	-	1.5	V		
V_{GT}	Gate Trigger Voltage (Note 2)	I	$V_{\text{D}}=6\text{V}$, $R_{\text{L}}=6\Omega$, $R_{\text{G}}=330\Omega$	T2(+), Gate (+)	-	-	1.5	V
		II		T2(+), Gate (-)	-	-	1.5	V
		III		T2(-), Gate (-)	-	-	1.5	V
I_{GT}	Gate Trigger Current (Note 2)	I	$V_{\text{D}}=6\text{V}$, $R_{\text{L}}=6\Omega$, $R_{\text{G}}=330\Omega$	T2(+), Gate (+)	-	-	30	mA
		II		T2(+), Gate (-)	-	-	30	mA
		III		T2(-), Gate (-)	-	-	30	mA
V_{GD}	Gate Non-Trigger Voltage	$T_{\text{J}}=125^\circ\text{C}$, $V_{\text{D}}=1/2V_{\text{DRM}}$	0.2	-	-	V		
I_{H}	Holding Current	$V_{\text{D}}=12\text{V}$, $I_{\text{TM}}=1\text{A}$			50	mA		
I_{L}	Latching Current	I, III	$V_{\text{D}}=12\text{V}$, $I_{\text{G}}=1.2I_{\text{GT}}$			50	mA	
		II				70	mA	
dv/dt	Critical Rate of Rise of Off-State Voltage	$V_{\text{DRM}} = \text{Rated}$, $T_{\text{J}} = 125^\circ\text{C}$, Exponential Rise		300		V/ μs		
$(dv/dt)_{\text{C}}$	Critical-Rate of Rise of Off-State Commutating Voltage (Note 3)		10	-	-	V/ μs		

Notes:

- Gate Open
- Measurement using the gate trigger characteristics measurement circuit
- The critical-rate of rise of the off-state commutating voltage is shown in the table below
- The contact thermal resistance $R_{\text{TH}(c-f)}$ in case of greasing is 0.5°C/W

V_{DRM} (V)	Test Condition	Commutating voltage and current waveforms (inductive load)
FKPF12N60	1. Junction Temperature $T_{\text{J}}=125^\circ\text{C}$ 2. Rate of decay of on-state commutating current $(di/dt)_{\text{C}} = -6.0\text{A/ms}$ 3. Peak off-state voltage $V_{\text{D}} = 400\text{V}$	
FKPF12N80		

Quadrant Definitions for a Triac



Typical Curves

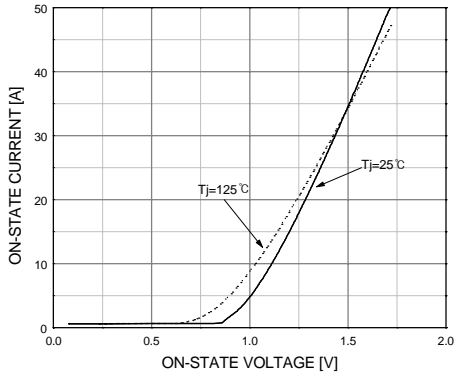


Figure 1. Maximum On-state Characteristics

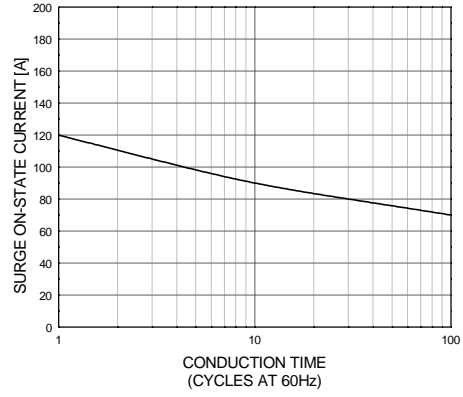


Figure 2. Rated Surge On-state Current

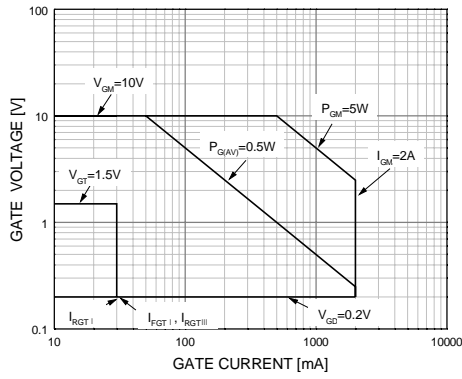


Figure 3. Gate Characteristics

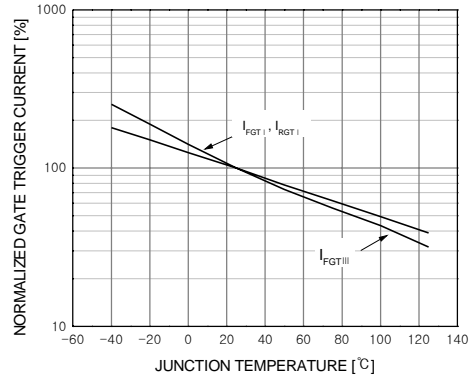


Figure 4. Gate Trigger Current vs T_j

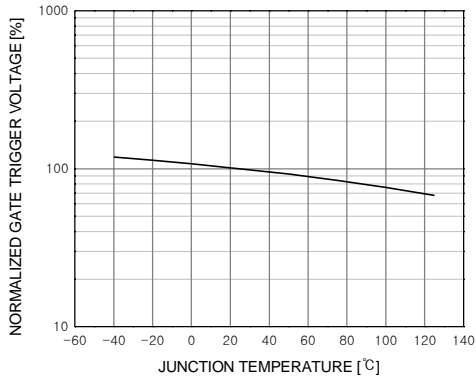


Figure 5. Gate Trigger Voltage vs T_j

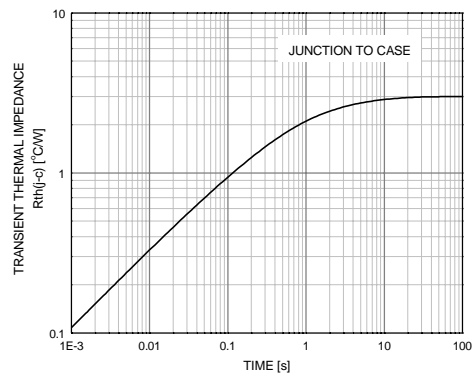


Figure 6. Transient Thermal Impedance

Typical Curves (Continues)

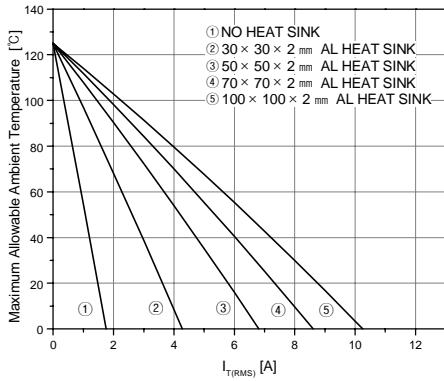


Figure 7. Allowable Ambient Temperature vs Rms On-state Current

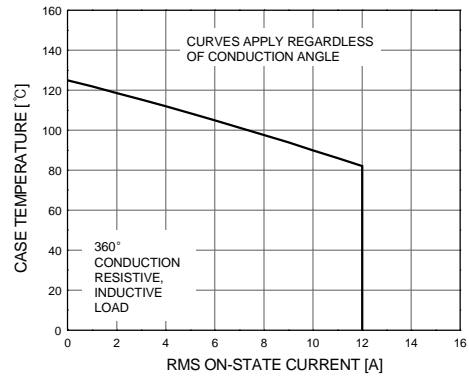


Figure 8. Allowable Case Temperature vs Rms On-state Current

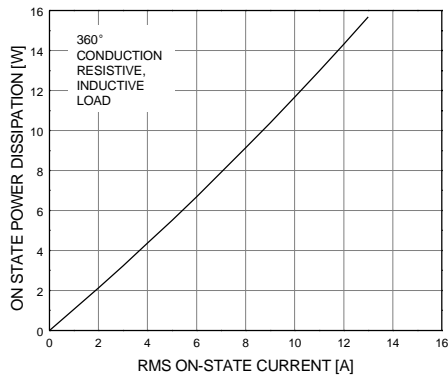


Figure 9. Maximum On-state Power Dissipation

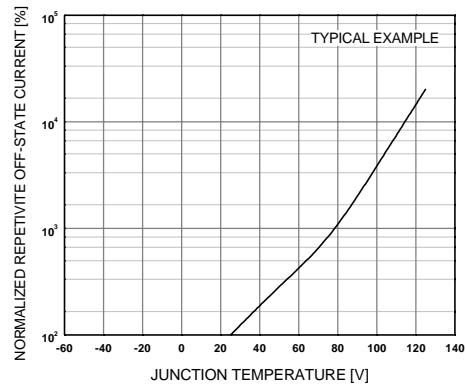


Figure 10. Repetitive Peak Off-state Current vs Junction Temperature

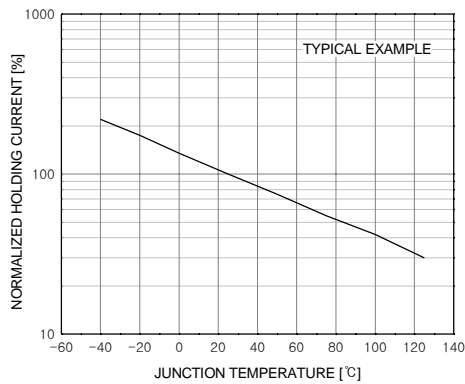


Figure 11. Holding Current vs Junction Temperature

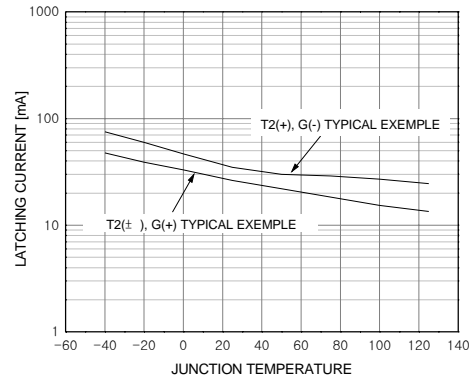


Figure 12. Latching Current vs Junction Temperature

Typical Curves (Continues)

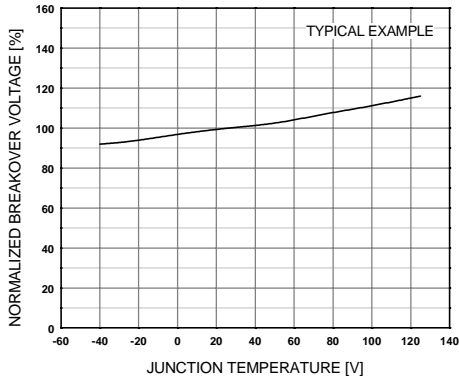


Figure 13. Breakover Voltage vs. Junction Temperature

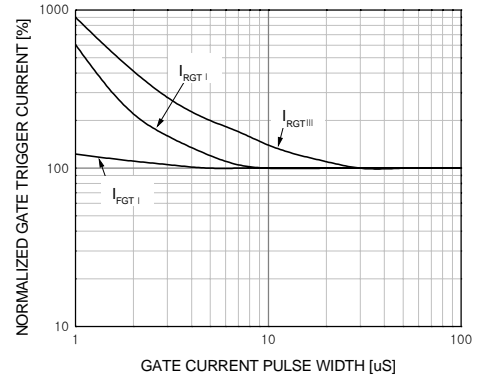


Figure 14. Gate Trigger Current vs. Gate Current Pulse Width

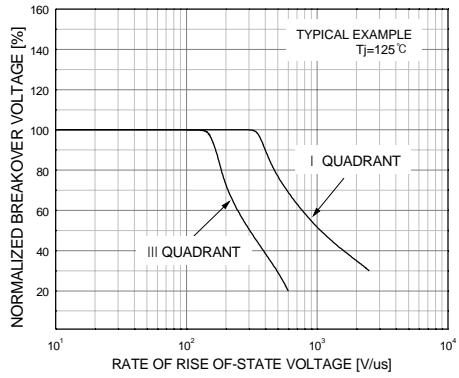


Figure 15. Breakover Voltage vs. Rate of Rise of Off-State Voltage

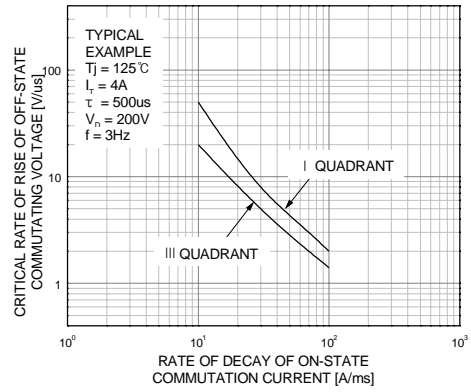
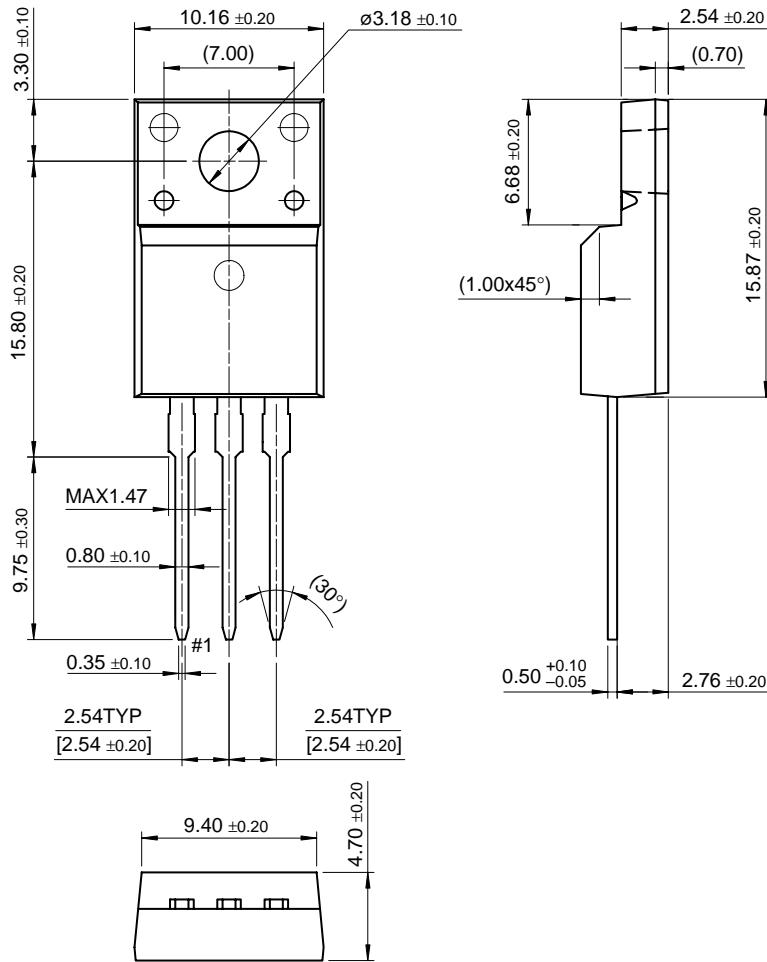


Figure 16. Commutation Characteristics

Package Dimension

TO-220F



FKPF12N60 / FKPF12N80

Dimensions in Millimeters

TRADEMARKS

The following are registered and unregistered trademarks Fairchild Semiconductor owns or is authorized to use and is not intended to be an exhaustive list of all such trademarks.

ACE ^x TM	FACT TM	ImpliedDisconnect TM	PACMAN TM	SPM TM
ActiveArray TM	FACT Quiet series TM	ISOPLANAR TM	POP TM	Stealth TM
Bottomless TM	FAST [®]	LittleFET TM	Power247 TM	SuperSOT TM -3
CoolFET TM	FAST ^r TM	MicroFET TM	PowerTrench [®]	SuperSOT TM -6
CROSSVOLT TM	FRFET TM	MicroPak TM	QFET TM	SuperSOT TM -8
DOME TM	GlobalOptoisolator TM	MICROWIRE TM	QS TM	SyncFET TM
EcoSPARK TM	GTO TM	MSX TM	QT Optoelectronics TM	TinyLogic TM
E ² CMOS TM	HiSeC TM	MSXPro TM	Quiet Series TM	TruTranslation TM
EnSigna TM	I ² C TM	OCX TM	RapidConfigure TM	UHC TM
Across the board. Around the world. TM		OCXPro TM	RapidConnect TM	UltraFET [®]
The Power Franchise TM		OPTOLOGIC [®]	SILENT SWITCHER [®]	VCX TM
Programmable Active Droop TM		OPTOPLANAR TM	SMART START TM	

DISCLAIMER

FAIRCHILD SEMICONDUCTOR RESERVES THE RIGHT TO MAKE CHANGES WITHOUT FURTHER NOTICE TO ANY PRODUCTS HEREIN TO IMPROVE RELIABILITY, FUNCTION OR DESIGN. FAIRCHILD DOES NOT ASSUME ANY LIABILITY ARISING OUT OF THE APPLICATION OR USE OF ANY PRODUCT OR CIRCUIT DESCRIBED HEREIN; NEITHER DOES IT CONVEY ANY LICENSE UNDER ITS PATENT RIGHTS, NOR THE RIGHTS OF OTHERS.

LIFE SUPPORT POLICY

FAIRCHILD'S PRODUCTS ARE NOT AUTHORIZED FOR USE AS CRITICAL COMPONENTS IN LIFE SUPPORT DEVICES OR SYSTEMS WITHOUT THE EXPRESS WRITTEN APPROVAL OF FAIRCHILD SEMICONDUCTOR CORPORATION.

As used herein:

1. Life support devices or systems are devices or systems which, (a) are intended for surgical implant into the body, or (b) support or sustain life, or (c) whose failure to perform when properly used in accordance with instructions for use provided in the labeling, can be reasonably expected to result in significant injury to the user.
2. A critical component is any component of a life support device or system whose failure to perform can be reasonably expected to cause the failure of the life support device or system, or to affect its safety or effectiveness.

PRODUCT STATUS DEFINITIONS

Definition of Terms

Datasheet Identification	Product Status	Definition
Advance Information	Formative or In Design	This datasheet contains the design specifications for product development. Specifications may change in any manner without notice.
Preliminary	First Production	This datasheet contains preliminary data, and supplementary data will be published at a later date. Fairchild Semiconductor reserves the right to make changes at any time without notice in order to improve design.
No Identification Needed	Full Production	This datasheet contains final specifications. Fairchild Semiconductor reserves the right to make changes at any time without notice in order to improve design.
Obsolete	Not In Production	This datasheet contains specifications on a product that has been discontinued by Fairchild semiconductor. The datasheet is printed for reference information only.