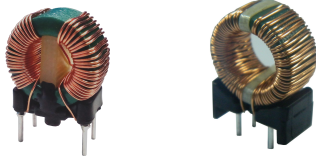


Common Mode Filter



RoHS

FEATURES

- Good temperature characteristic
- Compact size
- Meet UL508 isolation require

This model applies to the analog circuit is more sensitive to noise and EMC . After adding a FL2D-xx-xxx, can substantially reduce the port noise, and it can substantially improve the EMS performance.

Selection Guide

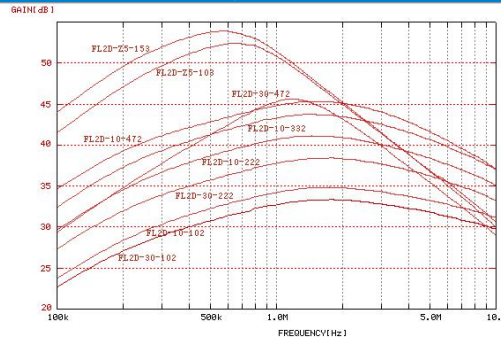
Model	Inductance (μH)(typ)	Current (A)(max)	DCR(mΩ) (typ)	Weight (g) (typ)	Size(L*W*H)
FL2D-Z5-103	10000*2	0.5	500*2	4.5	See Figure 1
FL2D-Z5-153	15000*2	0.5	600*2	4.5	See Figure 1
FL2D-Z5-223	22000*2	0.5	650*2	4.5	See Figure 1
FL2D-10-102	1000*2	1.0	70*2	4.5	See Figure 1
FL2D-10-222	2200*2	1.0	90*2	4.5	See Figure 1
FL2D-10-332	3300*2	1.0	100*2	4.5	See Figure 1
FL2D-10-472	4700*2	1.0	140*2	4.5	See Figure 1
FL2D-30-102	1000*2	3.0	40*2	4.5	See Figure 1
FL2D-30-222	2200*2	3.0	50*2	4.5	See Figure 1
FL2D-30-472	4700*2	3.0	70*2	4.5	See Figure 1
FL2D-10-682	6800*2	1	160*2	6.5	See Figure 2
FL2D-10-822	8200*2	1	180*2	6.5	See Figure 2

General Specifications

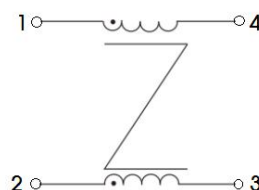
Item	Test Conditions	Min.	Typ.	Max.	Unit
Operating Temperature		-25	--	105	°C
Storage Temperature		-40	--	105	
Storage Humidity		--	--	95	%
Inductance	fo=1KHz, Uo=0.3V	-35	--	--	%
Withstand Voltage	Leakage current Io=1mA	--	--	2000	VDC

Note: Operating Temperature range includes inductor self heating.

Attenuation specifications (reference value)



Pin Function Caption



Dimensions and Recommended Layout

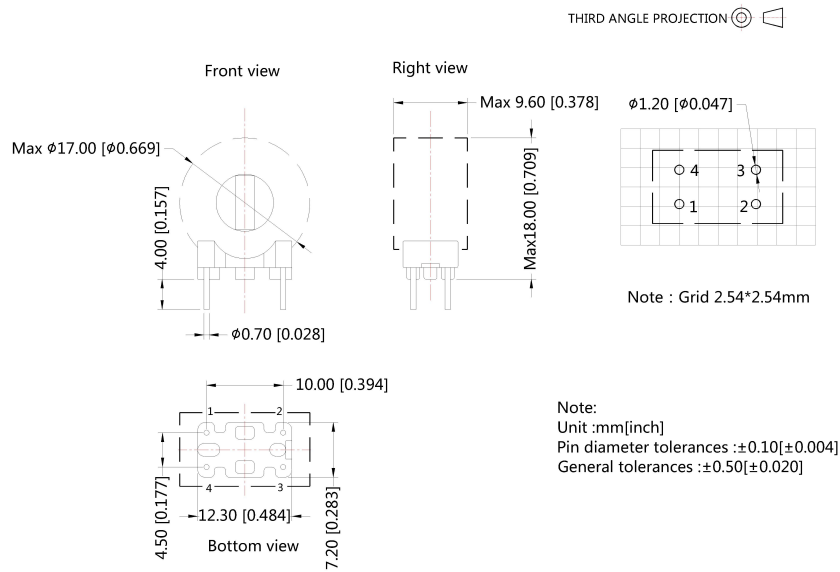


Fig 1

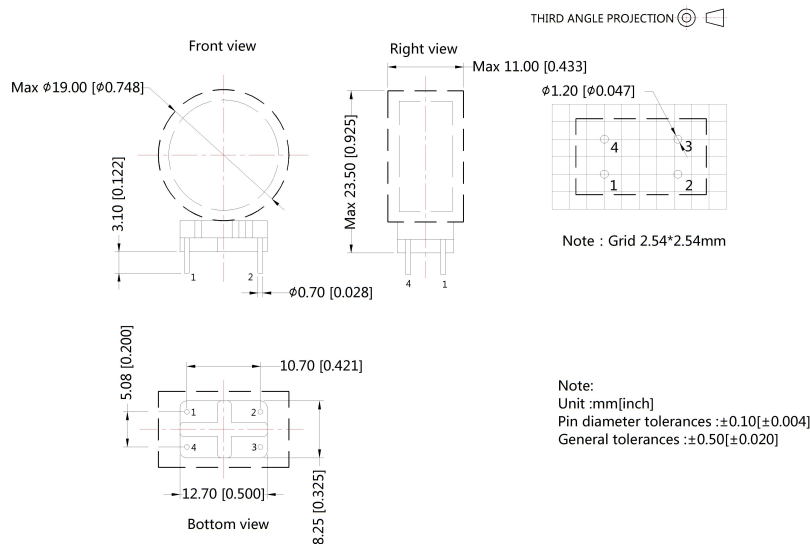


Fig 2

- Note:
1. Packing Information please refer to 'Product Packing Information'. Packing bag number: 58200055 (FL2D-10-682/FL2D-10-822), 58220018 (others);
 2. Unless otherwise specified, data in this data sheet should be tested under the conditions of $T_a=25^\circ\text{C}$, humidity $<75\%$ RH;
 3. All index testing methods in this datasheet are based on our Company's corporate standards;
 4. The performance indexes of the product models listed in this manual are as above, but some indexes of non-standard model products will exceed the above-mentioned requirements, and please directly contact our technicians for specific information;
 5. We can provide product customization service, please contact our technicians directly for specific information;
 6. Products are related to laws and regulations: see "Features" ;
 7. Our products shall be classified according to ISO14001 and related environmental laws and regulations, and shall be handled by qualified units.

MORNSUN Guangzhou Science & Technology Co., Ltd.

Address: No. 5, Kehui St. 1, Kehui Development Center, Science Ave., Guangzhou Science City, Luogang District, Guangzhou, P. R. China
Tel: 86-20-38601850-8801 Fax: 86-20-38601272 E-mail: info@mornsun.cn