

1.8° Size 42mm High Torque Hybrid Stepping Motor

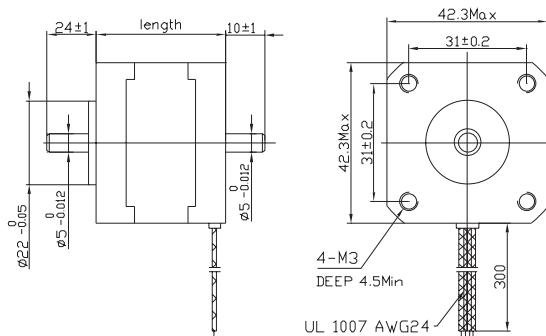
● General Specification for High Torque Hybrid Stepping Motor

Item	Specifications
Step Angle	1.8°
Step Angle Accuracy	± 5% (full step, no load)
Resistance Accuracy	± 10%
Inductance Accuracy	± 20%
Temperature Rise	80°C Max.(rated current,2 phase on)
Ambient Temperature	-20°C~+50°C
Insulation Resistance	100M Ω Min. ,500VDC
Dielectric Strength	500VAC for one minute
Shaft Radial Play	0.02Max. (450 g-load)
Shaft Axial Play	0.08Max. (450 g-load)
Max. radial force	28N (20mm from the flange)
Max. axial force	10N
Rotation	CW(See from Front Flange)

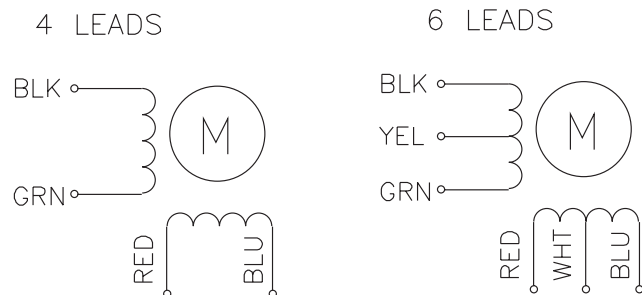
● Size 42mm High Torque Hybrid Stepping Motor Specifications

Model No.		Rated Voltage	Current /Phase	Resistance /Phase	Inductance /Phase	Holding Torque	# of Leads	Rotor Inertia	Weight	Detent Torque	Length
Single Shaft	Double Shaft	V	A	Ω	mH	Kg-cm		g-cm ²	kg	g-cm	mm
FL42STH25-0404A	FL42STH25-0404B	9.6	0.4	24	36	1.7	4	20	0.15	200	25
FL42STH33-0404A	FL42STH34-0404B	12	0.4	30	37	2.5	4	38	0.2	120	34
FL42STH33-0956A	FL42STH34-0956B	3.99	0.95	4.2	2.8	1.6	6				
FL42STH33-0476A	FL42STH34-0476B	6.392	0.47	13.6	9.8	2.5	6	57	0.24	150	40
FL42STH38-0406A	FL42STH38-0406B	12	0.4	30	24	2.5	6				
FL42STH38-0804A	FL42STH38-0804B	8	0.8	10	17	3.2	4				
FL42STH38-1206A	FL42STH38-1206B	3.96	1.2	3.3	2.4	2.4	6	82	0.34	200	48
FL42STH38-0806A	FL42STH38-0806B	6.0	0.8	7.5	7.0	2.8					
FL42STH47-1006A	FL42STH48-1006B	4.6	1.0	4.6	4.0	3.4	6				
FL42STH47-0406A	FL42STH48-0406B	12	0.4	30	28	3.8	4	82	0.34	200	48
FL42STH47-1204A	FL42STH48-1204B	3.84	1.2	3.2	6.0	4.5					
FL42STH47-0854A	FL42STH48-0854B	5.61	0.85	6.6	11						

● Dimension



Wiring Diagram



1.8° Size 42mm High Torque Hybrid Stepping Motor

● Pull out Torque Curve 42sth

SERIES MOTOR DYNAMIC CHARACTERISTICS

