



FLI2300

Digital Video Format Converter Product Brief



March 2003, document C0702-PBR-01B

The FLI2300 is a highly integrated digital video format converter for DTV and DVD applications using patented deinterlacing and post processing algorithms from Faroudja®, coupled with highly flexible scaling, a wide variety of aspect ratio conversions, and other special video enhancing features to produce the highest quality image.

INPUTS –

- Input all industry standard and non-standard video resolutions, including 480i (NTSC), 576i (PAL/SECAM), 480p, 720p, 1080i, and VGA to SXGA
- Digital input, 8-bit Y/Cr/Cb (ITU-R BT656), 8-bit Y/Pr/Pb, 16-bit Y Cr/Cb (ITU-R BT601), 24-bit RGB, YCrCb, YPrPb
- Input pixel rate up to 75 MHz maximum

OUTPUTS –

- Output resolutions include 480p, 576i, 576p, 720p, 1080i, 1080p, and VGA to SXGA
- Interlaced or Progressive output
- Output can be either analog YUV/RGB (through the integrated 10-bit DAC), or digital 24-bit RGB, YCrCb, YPrPb (4:4:4), or digital 16/20-bit Y Cr/Cb (4:2:2)
- Output pixel rate up to 150 MHz maximum

FRONT END PROCESSING –

- Motion Adaptive Noise Reduction - Improves picture quality for off-air material.
- Cross Color Suppressor (CCS) - Removes cross color artifacts in composite video signals due to poor Y/C separation in standard 2D video decoders, eliminating the need for expensive 3D video decoders.

FORMATS –

- Input color manipulation matrix supports all color spaces: RGB, YPrPb, 4:4:4 YCrCb, 4:2:2 YCr/Cb, ITU-R BT656, ITU-R BT601

- Output supports analog RGB, YPrPb, YCrCb, and digital RGB, YPrPb, 4:4:4 YCrCb, 4:2:2 YCr/Cb

DEINTERLACING –

- Per-pixel Motion Adaptive Deinterlacing
- Patented FilmMode Processing - Used for proper de-interlacing of 3:2 and 2:2 pulldown material.
- Edit Correction - Film content is continuously monitored for any break in sequence caused by “bad edits” and quickly compensates for the most effective reduction in artifacts.
- DCDi™ by Faroudja - Video is analyzed on a single pixel granularity to detect presence or absence of angled lines and edges, which are then processed to produce a smooth & natural looking image without visible artifacts or “jaggies”.

SCALING –

- High Quality Fully Programmable Two Dimensional Scaler
- Aspect Ratio Conversion for “Anamorphic” or “Panoramic” (non-linear)
- Display 4:3 images on 16:9 displays and vice versa, including Letterbox to Fullscreen, Pillarbox, and Subtitle Display Modes

FRC –

- Tearless Frame Rate Conversion, 50/60/72/75/100/120 Hz.

MEMORY –

- 32-bit wide SDRAM (i.e. one 2Mx32bit, or two 1Mx16bit), up to 166 MHz operation

SPECIFICATIONS –

- 2-Wire control interface
- 0.18u technology, 1.8V/3.3V operation
- 208 pin PQFP package
- 525P Macrovision output option (FLI2301 part)

Genesis Microchip Inc.

2150 Gold Street, P.O. Box 2150, Alviso, CA USA 95002, Tel 408-262-6599, Fax 408-262-6365
165 Commerce Valley Dr. West, Thornhill, ON Canada L3T 7V8, Tel 905-889-5400, Fax 905-889-5422
George Thangiah Complex(E), 2nd Flr, 80 Feet Road, Jeevan Bhima Nagar, Bangalore 560 075, India, Tel 91-80-526 3878, Fax 91-80-529 6245
4F, No. 57, Sing Jung Road, NeiHu Taipei, Taiwan 114, R.O.C, Tel 886-2-2791-0118, Fax 886-2-2791-0196
143-37 Hyundai Tower, #902, Samsung-dong, Kangnam-gu, Seoul, Korea 135-090, Tel 82-2-553-5693, Fax 82-2-552-4942
Rm2614-2618 Shenzhen Office Tower, 6007 Shennan Blvd, 518040, Shenzhen, Guangdong, P.R.C., Tel 86-755-83860101, Fax 86-755-83867874
#310-311 Century Financial Tower, No. 1, Su Hua Road, Suzhou Industrial Park, Suzhou, Jiangsu Province, P.R.C., 215021 Tel 86-512-67620380, Fax 86-512-67620385
2-9-5 Higashigotanda, Shinagawa-ku, Tokyo, 141-0022, Japan, Tel 81-3-5798-2758, Fax 81-3-5798-2759

www.genesis-microchip.com

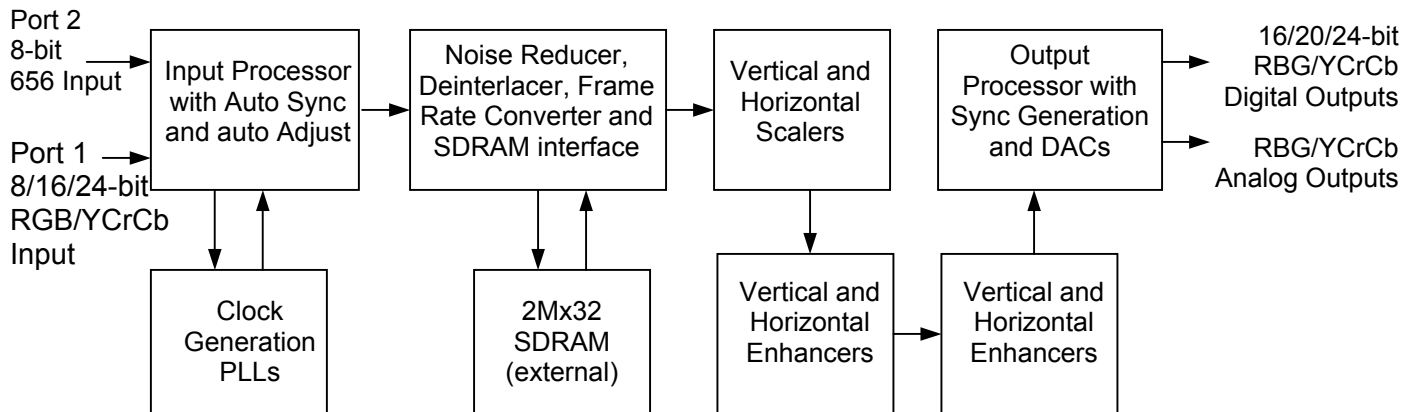
TrueLife™ ENHANCER –

Two dimensional, non-linear, luma & chroma video enhancer brings out details in the picture, producing a more life-like image

Applications

- Progressive Scan TV
- HD Ready TV / HDTV
- DVD Players
- LCD TV

Chip Block Diagram



System Block Diagram

