

# Front Panel Adapter For LED Lamp

Optoelectronic Products

## FLS010

### General Description

The FLS010 is a panel mount adapter specially designed for use with all Fairchild .200-inch LED lamps.

### Single Part Construction

### Simple Assembly Technique

**Black Finish Gives Maximum On/Off Contrast**

**Fits Panels .060-Inch to .250-Inch Thick**

**Fits Lamps .280-Inch Through .360-Inch Tall**

**Removable From Either Front Or Rear**

**Orients To Flat On LED For Easy Polarity**

**Inspection**

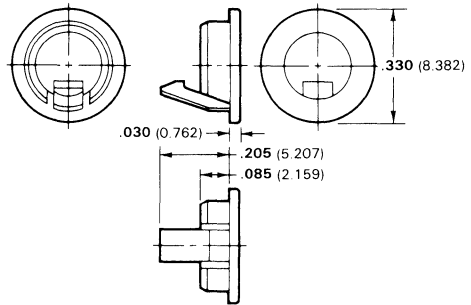
**Nearly Flush With Front Panel Surface**

**Requires Standard H-Size Drill Hole In Panel**

### Mounting Instructions

1. The panel hole for the mounting clip should be 0.265-inch ( $\pm .002$ ), and the hole edges should be deburred (this permits a 17/64-inch or H-sized drill to be used).
2. Insert the LED, lens first, with the flat flush against the tab, into the tab end of the clip. Press firmly until the tab snaps over the flat and locks the unit into the clip.
3. Insert the mounting clip and LED assembly into the panel hole, pins first, from the front side of the panel. Use a hollowed cylinder with an internal diameter greater than .200-inch and less than .24-inch (i.e., either a piece of 3/8-inch poly-flo tubing or 3/16-inch nut driver) to "press fit" the clip into the panel until the flange is seated snugly on the panel.

### Dimensional Data



### Typical Mounting Technique

