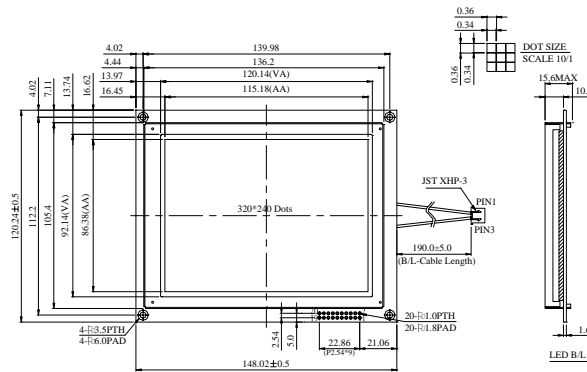




FM3202403- 320x240 dots



***Feature

Item	Description
Dot pitch	0.36 0.36mm
Mounting hole	139.98x111.61 mm
Controller	SID13700
Power Supply	+5V
Available B/L	None, LED (Y/G, white, blue), CCFL
Optional Feature	Analog Touch panel

***Pin Assignment

Pin Seq.	Signal	Description
1	Vss	Power supply (GND)
2	Vdd	Power supply (+5V)
3	Vo	Operate voltage for LCD driving
4	RD	80 serial—Read signal 68 serial— Enable clock
5	WR	80 serial—Write signal 68 serial—R/W signal
	Ao	Datatype select 80 serial: RD;L, WR=H,Ao L=Data read, AoH=status read RD=H,WR=L,AoL=Data write, AoL=Command write 68 serial:R/W=L,Ao=H,Command write Ao=L Data write R/W=H,Ao=H=Status read, Ao=L=Data read
7	DB0	Data bus
8	DB1	Data bus
9	DB2	Data bus
10	DB3	Data bus
11	DB4	Data bus
12	DB5	Data bus
13	DB6	Data bus
14	DB7	Data bus
15	CS	Chip select L→ Active
16	RES	Reset L→ Active
17	Vee	Negative voltage output
18	FGND	Frame Ground
19	NC	No connection
20	NC	No connection