



复旦微电子

FM4201 Motorcycle Flashers Controller

Specification

Oct. 2007

INFORMATION IN THIS DOCUMENT IS INTENDED AS A REFERENCE TO ASSIST OUR CUSTOMERS IN THE SELECTION OF SHANGHAI FUDAN MICROELECTRONICS CO., LTD PRODUCT BEST SUITED TO THE CUSTOMER'S APPLICATION; THEY DO NOT CONVEY ANY LICENSE UNDER ANY INTELLECTUAL PROPERTY RIGHTS, OR ANY OTHER RIGHTS, BELONGING TO SHANGHAI FUDAN MICROELECTRONICS CO., LTD OR A THIRD PARTY. WHEN USING THE INFORMATION CONTAINED IN THIS DOCUMENTS, PLEASE BE SURE TO EVALUATE ALL INFORMATION AS A TOTAL SYSTEM BEFORE MAKING A FINAL DECISION ON THE APPLICABILITY OF THE INFORMATION AND PRODUCTS. SHANGHAI FUDAN MICROELECTRONICS CO., LTD ASSUMES NO RESPONSIBILITY FOR ANY DAMAGE, LIABILITY OR OTHER LOSS RESULTING FROM THE INFORMATION CONTAINED HEREIN. SHANGHAI FUDAN MICROELECTRONICS CO., LTD PRODUCTS ARE NOT INTENDED FOR USE IN MEDICAL, LIFE SAVING, OR LIFE SUSTAINING APPLICATIONS. THE PRIOR WRITTEN APPROVAL OF SHANGHAI FUDAN MICROELECTRONICS CO., LTD IS NECESSARY TO REPRINT OR REPRODUCE IN WHOLE OR IN PART THESE DOCUMENTS.

Future routine revisions will occur when appropriate, without notice. Contact Shanghai Fudan Microelectronics Co., Ltd sales office to obtain the latest specifications and before placing your product order. Please also pay attention to information published by Shanghai Fudan Microelectronics Co., Ltd by various means, including Shanghai Fudan Microelectronics Co., Ltd home page (<http://www.fmsh.com/>).

Please contact Shanghai Fudan Microelectronics Co., Ltd local sales office for the specification regarding the information in this documents or Shanghai Fudan Microelectronics Co., Ltd products.

Trademarks

Shanghai Fudan Microelectronics Co., Ltd name and logo, the “复旦” logo are trademarks or registered trademarks of Shanghai Fudan Microelectronics Co., Ltd or its subsidiaries in China.

Shanghai Fudan Microelectronics Co., Ltd, Printed in the China, All Rights Reserved.

Product Overview

Description

FM4201 is a two-wire contactless electrical flasher IC for motorcycle. It has the features of high reliability and convenience, less peripheral components, flash frequency stability and warning indication of lamp failure by means of frequency doubling.

www.DataSheet4U.com

Features

- ◆ Warning indication of lamp failure
- ◆ Short circuit protection
- ◆ Application for 6V and 12V power supply
- ◆ EMC design
- ◆ Stable duty cycle (50%)
- ◆ Stable flash frequency (85±10 times/minute)
- ◆ Flash frequency independent of power supply voltage
- ◆ Stable rate of the failure frequency and the normal frequency (2.2:1)
- ◆ Low power design
- ◆ Less peripheral components
- ◆ Convenient for adjustment

Pin Assignments

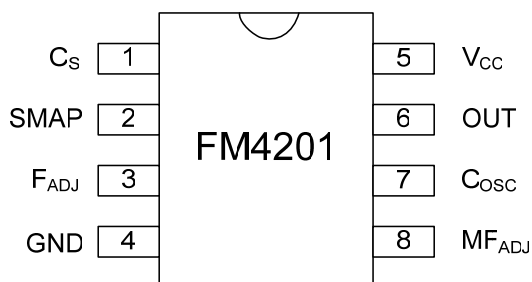


Figure 1-1 FM4201 Pin Assignments

Pin Functions

Pin	Symbol	Value
1	C _S	Short circuit protection filtering
2	SAMP	Current sampling
3	F _{ADJ}	Frequency adjustment
4	GND	Ground
5	M _{FADJ}	Frequency rate adjustment
6	C _{OSC}	Oscillator capacitor
7	OUT	Output driving
8	V _{CC}	Power supply

Table 1-1 FM4201 Pin Function

Electrical Characteristics

$V_P = 11\sim 15V$ or $5.5\sim 7.5V$; $T_a = +25^\circ C$

Parameter	Test conditions	Min	Typ	Max	Unit	
Supply	12V	9	12.8	22	V	
	6V	4.5	6.4	—		
Supply current	$V_P = 5.1V$	—	1.1	2.3	mA	
Driving current	$V_{out} = 2.0V$	I_{source}	10	20	—	mA
		I_{sink}	10	20	—	
Normal flash frequency	—	75	85	95	times/min	
Failure flash frequency	—	140	187	—	times/min	
Flash frequency at the lowest power Supply voltage	12V: $V_P = 9V$	40	—	—	times/min	
	6V: $V_P = 4.5V$	40	—	—	times/min	
Duty cycle	—	35	50	65	%	
Start delay	—	—	1.0	1.5	sec	
Start threshold	$V_P = 12.8V, V_8 = 5.1V$ $V_P = 6.4V$	—	65	—	mV	
		—	75	—		
Short circuit detector threshold	—	—	$8 \times V_T$	—	mV	
Ambient temperature	—	-40	—	+125	$^\circ C$	

Table 2-1 FM4201 Electrical Characteristics

Application Circuit

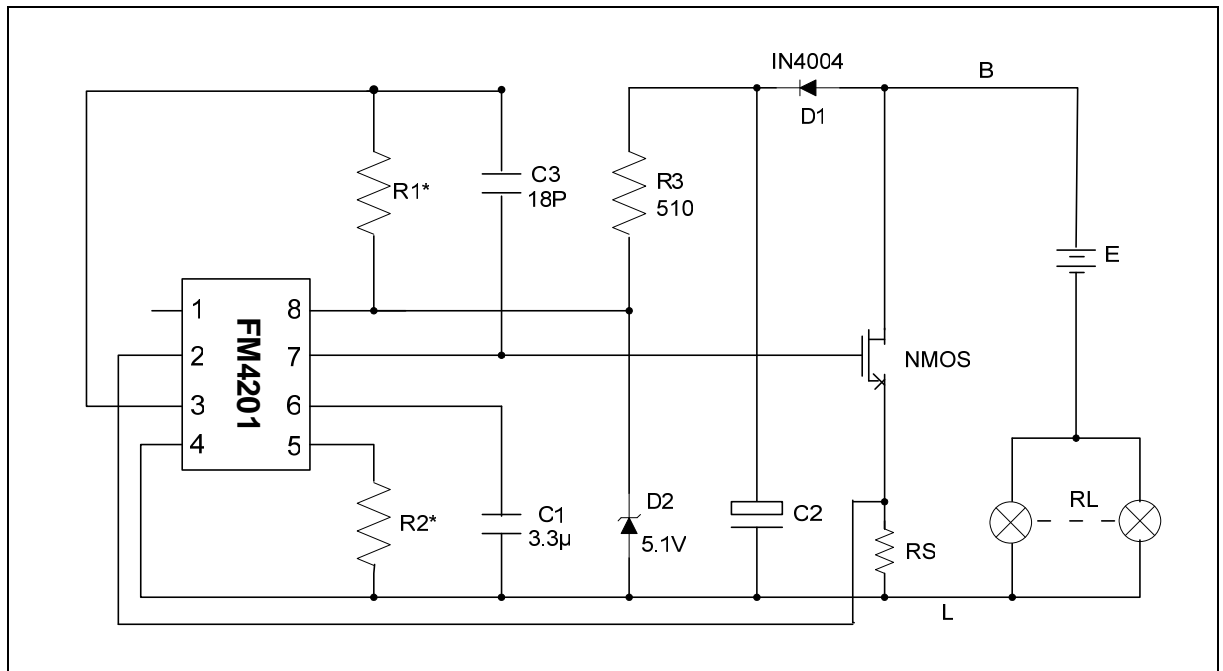


Figure 3-1 FM4201 Application Circuit

Reference Data

$f_1 = 85$ times/min; $f_2 = 170$ times/min

Component	Application condition	
	E = 12.8V RL = 2 × 10W + 2 × 2W	E = 6.4V RL = 2 × 8W + 3W
R1*	430K	470K
R2*	62K	24K
R3	510Ω	Shortened
D2	5.1V/0.5W	Not used
C2	100μ/16V	470μ/16V
RS	52mΩ	43mΩ

Table 4-1 FM4201 Reference Data



Revision History

Version	Publication date	Pages	Paragraph or Illustration	Revise Description
1.0	Jun. 2001	2		Initial Release.
2.0	Oct. 2007	8		Updated Format.

www.DataSheet4U.com

Sales and Service

Shanghai Fudan Microelectronics Co., Ltd.

Address: Bldg No.4, 127 Guotai Rd,
Shanghai City China.

Postcode: 200433

Tel: (86-21) 6565 5050

Fax: (86-21) 6565 9115

Shanghai Fudan Microelectronics (HK) Co., Ltd.

Address: Flat 12, 7/F, East Ocean Centre, 98 Granville Rd,
Tsimshatsui East, Kowloon, Hong Kong.

Tel: (852) 2116 3288 2116 3338

Fax: (852) 2116 0882

Beijing Office

Address: Room.1208, Bldg C,
Zhongguancun Science and Technology Development Edifice,
34 zhongguancun Street (South)

Haidian District, Beijing City, China.

Tel: (86-10) 6212 0682 6213 9558

Fax: (86-10) 6212 0681

Shenzhen Office

Address: Room.1301, Century Bldg, Shengtingyuan Hotel,
Huaqiang Rd (North)

Tel: (86-755) 8335 1011 8335 0911

Fax: (86-755) 8335 9011

Web Site: <http://www.fmsb.com/>