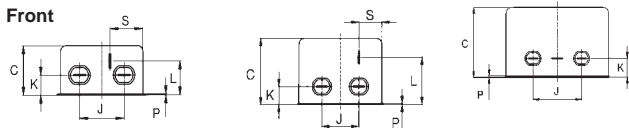
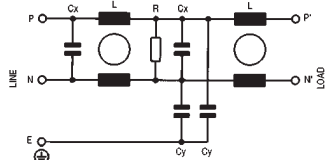
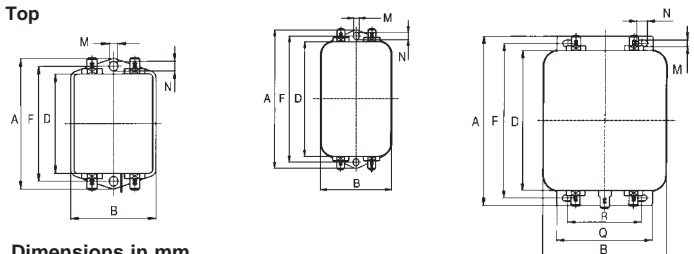


## FN 2060 General-Purpose & FN 2070 Performance Multi-Stage Filters

General-Purpose Filters available with 1-36A current ratings. **Max operating voltage:** 250 VAC @ 50/60 Hz. **Operating frequency:** DC to 400Hz. **Connections:** Fast On, other connections available. (Medical versions also available).



Housings H2, K1 and K2      Housings P, Q      Housing L2



Dimensions in mm

Housing	H2	K1	K2	Tol.*mm	P	L2	Q	Tol.*mm
A	71	85	85	±0.5	113	119±0.5	156	±0.1
B	46.6	54	54	±0.5	57.5	85.5	57.5	±0.1
C	29.3	30.3	40.3	±0.5	45.4±1.2	57.6	45.4±1.2	±0.1
D	50.5	64.8	64.8	±0.5	94	98.5	130.5	±0.1
F	61	75	75	±0.3	103	109	143	±0.3
J	21	27	27	±0.2	25	40	25	±0.2
K	10.8	12.3	12.3	±0.5	12.4	15.6	12.4	±0.5
L	19.3	20.8	29.8	±0.5	32.4	--	32.4	±0.5
M	5.3	5.3	5.3	±0.1	4.4	4.4	5.3	±0.1
N	5.3	6.3	6.3	±0.1	6	7.4	6	±0.1
P	0.7	0.7	0.7	±0.1	0.9	1.2	0.9	±0.1
Q	--	--	--	--	--	66	--	±0.3
R	--	--	--	--	--	51	--	±0.2
S	20.1	19.9	11.4	±0.5	15.5	--	15.5	±0.5

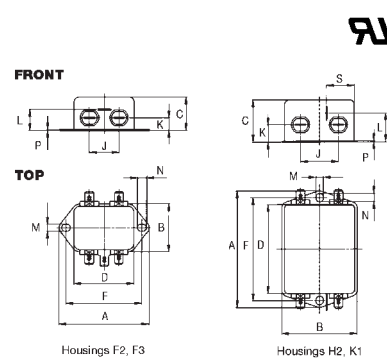
\* Measurements share this common tolerance unless otherwise stated

Mfr.'s Type	Amps at 40°C	Capacitance		Inductance L (mH)	Housing	1-9
		Cx(µF)	Cy (nF)			
<b>FN 2060 Multi-Stage General-Purpose</b>						
FN 2060-3/06	3	0.22	4.7	2.5	H2	19.90
FN 2060-6/06	6	0.22	4.7	0.97	H2	19.90
FN 2060-12/06	12	0.47	4.7	0.58	K1	21.60
FN 2060-16/06	16	0.33	4.7	0.65	K2	46.30
FN 2060-20/06	20	1	4.7	0.6	P	47.90
FN 2060-30/06	30	1	10	0.6	L2	Call

<b>FN 2070 Multi-Stage Performance</b>						
FN 2070-1/06	1	0.33	4.7	22	K1	24.00
FN 2070-6/06	6	1	4.7	7.8	P	32.50
FN 2070-16/06	16	1	4.7	2.8	L2	75.20
FN 2070-25/06	25	2.2	4.7	2	Q	Call
FN 2070-36/06	36	2.2	4.7	1.23	Q	Call

## FN 2010 General-Purpose Filters

FN2010 General-Purpose Filters available with 1-60A current ratings. **Max operating voltage:** 250 VAC @ 50/60 Hz. **Operating frequency:** DC to 400Hz. **Resistance:** 1M Ω. **Connections:** Fast On, other connections available. (Medical & Safety versions also available).



Dimensions in mm

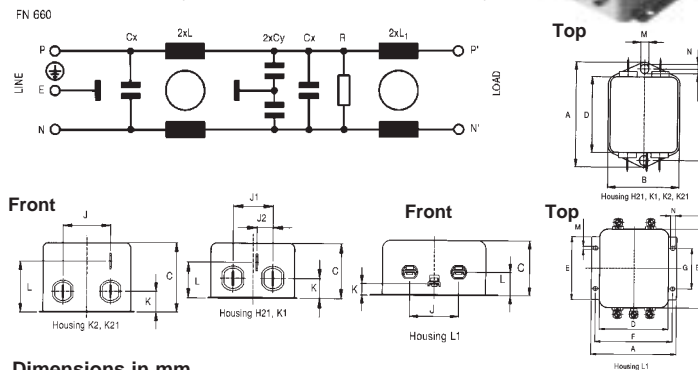
Housing	F2	F3	H2	K1	Tol.*mm
A	64+0.3	64+0.3	71	85	±0.5
B	35	35	46.6	54	±0.5
C	29.3	24.3	29.3	30.3	±0.5
D	43.5	43.5	50.5	64.8	±0.5
F	54	54	61	75	±0.3
J	21	21	21	27	±0.2
K	9.3	9.3	10.8	12.3	±0.5
L	15.3	15.3	19.3	20.8	±0.5
M	5.3	5.3	5.3	5.3	±0.1
N	6.3	6.3	6.3	6.3	±0.1
P	0.7	0.7	0.7	0.7	±0.1
S	--	--	20.1	19.9	±0.5

\* Measurements share this common tolerance unless otherwise stated

Mfr.'s Type	Amps at 40°C	Capacitance		Inductance L (mH)	Housing	1-9
		Cx(µF)	Cy (nF)			
FN 2010-1 /06	1	0.1	4.7	12	F3	11.10
FN 2010-3 /06	3	0.1	4.7	2.5	F3	11.10
FN 2010-6 /06	6	0.1	4.7	1	F3	11.10
FN 2010-12/06	12	0.1	4.7	0.7	F2	11.90
FN 2010-16 /06	16	0.1	4.7	0.65	H2	18.50
FN 2010-20 /06	20	0.1	4.7	0.6	K1	18.50

## FN 660 Two-Stage General-Purpose Filter

FN 660 Two-Stage General-Purpose Filters available with 1-20A current ratings. **Max operating voltage:** 250 VAC @ 50/60 Hz. **Operating frequency:** DC to 400Hz. **Resistance:** 1M Ω. **Connections:** Fast On, other connections available. (Medical versions also available).



Dimensions in mm

Housing	H21	Tol.*mm	K1	K2,K21	L1	Tol.*mm
A	71	±0.5	85	85	105	±0.5
B	46.6	±1	54	54	99.5+1	±0.5
C	29	±1	30	40	38	±1
D	50.5	±1	65	65	84.5	±1
E	--	--	--	--	79	±0.5
F	61	±0.2	75	75	95	±0.2
G	--	--	--	--	51	±0.1
J	21 <sup>±8.5mm</sup>	±0.5	21 <sup>±8.5mm</sup>	27	40	±0.5
K	10.5	±0.3	7	12	9.5	±0.5
L	19	±0.5	--	29.5	19	±0.5
M	5.3	±0.1	5.3	5.3	4.4	±0.1
N	6.3	±0.1	6.3	6.3	6	±0.1

\* Measurements share this common tolerance unless otherwise stated

Mfr.'s Type	Amps at 40°C	Capacitance		Inductance L/L1 (mH)	Housing	1-9
		Cx(nF)	Cy (nF)			
FN 660 -1/06	1	150	2.2	3/3	H21	22.20
FN 660 -3/06	3	150	2.2	2/2	K1	21.40
FN 660 -6/06	6	150	2.2	0.75/0.75	K1	15.60
FN 660 -10/06	10	150	2.2	0.45/0.45	K21	19.60
FN 660 -16/06	16	150	2.2	0.44/0.44	K2	34.80
FN 660 -20/06	20	150	2.2	0.48/0.48	L1	46.40