

Semiconductor Solutions for High Speed Communication and Fiber Optic Applications

The FOA21002A2 is the industry's first STM64/OC-192 Laser Diode Driver for SDH/SONET systems in Silicon Germanium technology. This new device is a key component for leading-edge high speed optical communication systems for regional, metropolitan and backbone transport data networks at the highest speeds of up to 10.7 Gbit/s over one single fiber. It is a member of the complete 10 Gbit/s chipset in the Silicon Germanium technology with the industry's lowest power consumption.



Features

- Nominal data rate up to 10.7 Gbit/s
- Suitable for driving electro-absorption modulators (EAM)
- Suitable for direct modulation of 50 or 25 Ω matched laser diodes
- Adjustable output current swing up to 60 mA (3 V across 50 Ω)
- Pulse shape adjustment: duty cycle, output voltage undershoot
- Fully differential design
- Low power consumption

Typical Applications

- Fiber optics telecom and datacom applications
- SONET/SDH OC-192/STM-64 with and without FEC
- Driver for EAM, laser diode modules, transmission lines
- Test and Measurement equipment: Clock driver, buffer

Main Advantages

- Data rate up to 10.7 Gbit/s
- Industry's lowest power consumption of typical 1.5 W (for full voltage swing of 3 V)

- Suitable for driving both 50 Ω matched Electro-Absorption Modulators (EAM) as well as direct modulation of 50 or 25 Ω matched laser diodes. (for single or differential transmission lines)
- Adjustable output current swing up to 60 mA (3 V across 50 Ω)
- Pulse shape adjustment: Eye symmetry, duty cycle, output voltage undershoot
- Fully differential design
- Supply voltage of -5.2 V and +1.8 V
- Small chip size of 1.415 x 1.045 mm (bare die)

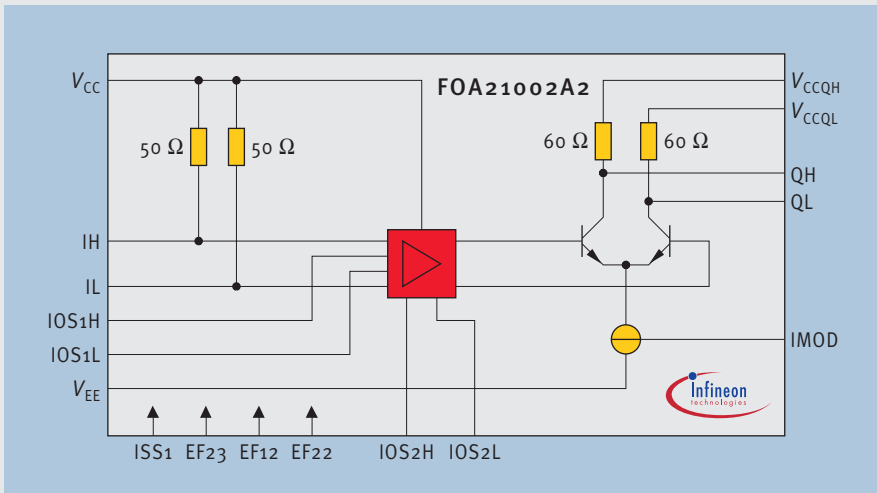
Packing

Type	Sales Code	Package
LDD	FOA21002A	Bare die

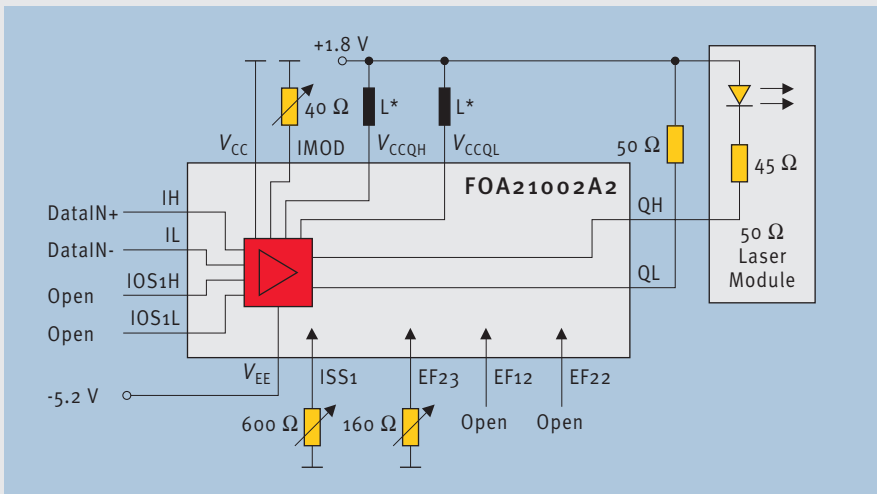
FOA21002A2
 FOA21002A1 Laser Diode Driver
 LDD 9.95 - 10.7 Gbit/s, -5.2 V



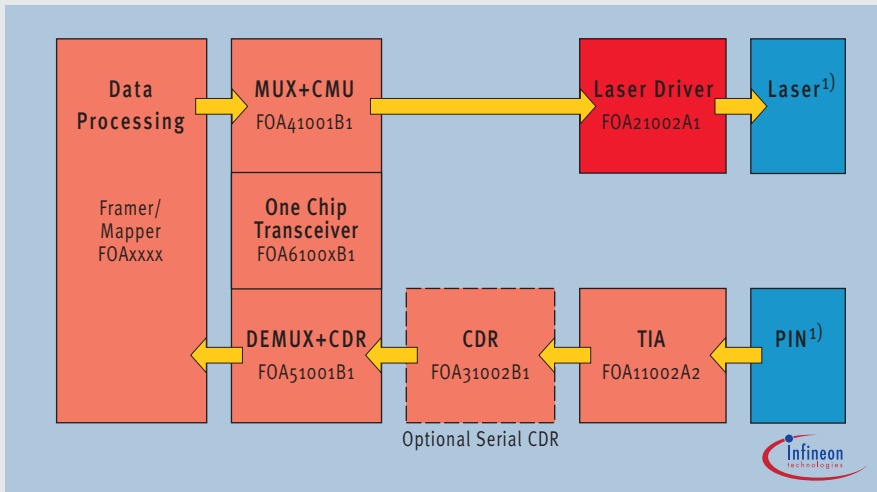
FOA21002A2 Block Diagram



Application Example



10 Gbit/s Chipset Overview



How to reach us:
<http://www.infineon.com>

Published by
Infineon Technologies AG,
St.-Martin-Strasse 53,
81541 München
© Infineon Technologies AG 2002. All Rights Reserved.

Attention please!

The information herein is given to describe certain components and shall not be considered as warranted characteristics.

Terms of delivery and rights to technical change reserved.

We hereby disclaim any and all warranties, including but not limited to warranties of non-infringement, regarding circuits, descriptions and charts stated herein.

Infineon Technologies is an approved CECC manufacturer.

Information

For further information on technology, delivery terms and conditions and prices please contact your nearest Infineon Technologies Office in Germany or our Infineon Technologies Representatives worldwide.

Warnings

Due to technical requirements components may contain dangerous substances. For information on the types in question please contact your nearest Infineon Technologies Office.

Infineon Technologies Components may only be used in life-support devices or systems with the express written approval of Infineon Technologies, if a failure of such components can reasonably be expected to cause the failure of that life-support device or system, or to affect the safety or effectiveness of that device or system. Life support devices or systems are intended to be implanted in the human body, or to support and/or maintain and sustain and/or protect human life. If they fail, it is reasonable to assume that the health of the user or other persons may be endangered.