

## Non-Synchronous PWM Boost Controller



### General Description

The FP5205 is a boost topology switching regulator for wide operating voltage applications. It provides built-in gate driver pin for driving an external N-MOSFET. The internal compensation network minimizes external component counts, and the non-inverting input of error amplifier connects to a 0.6V precision reference voltage. The FP5205 has internal soft start and programmable over current protection set by external resistance.

The FP5205 is available in the small footprint SOT23-6L package to fit in space-saving PCB layout for miscellaneous application fields.

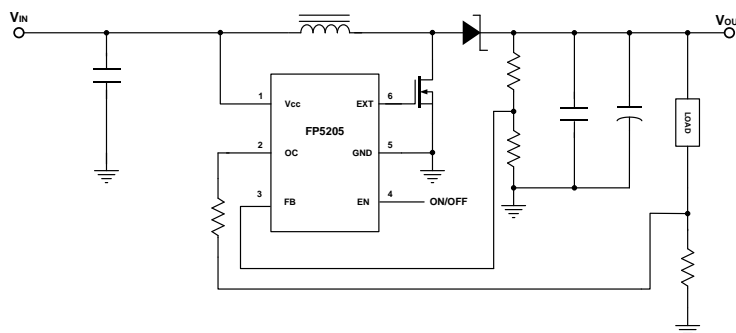
### Features

- Wide Supply Voltage Operating Range: 2.4 to 5.5V
- Precision Feedback Reference Voltage: 0.6V ( $\pm 2\%$ )
- Shutdown Current:  $< 1\mu\text{A}$
- Internal Fixed PWM frequency: 550KHz
- Internal Soft Start Function :7ms (SS)
- Over Current Protection Function (OCP)
- Over Voltage Protection
- Package: SOT23-6L
- Duty Cycle: PWM/PFM Switching Control Circuit (15%~90%)

### Applications

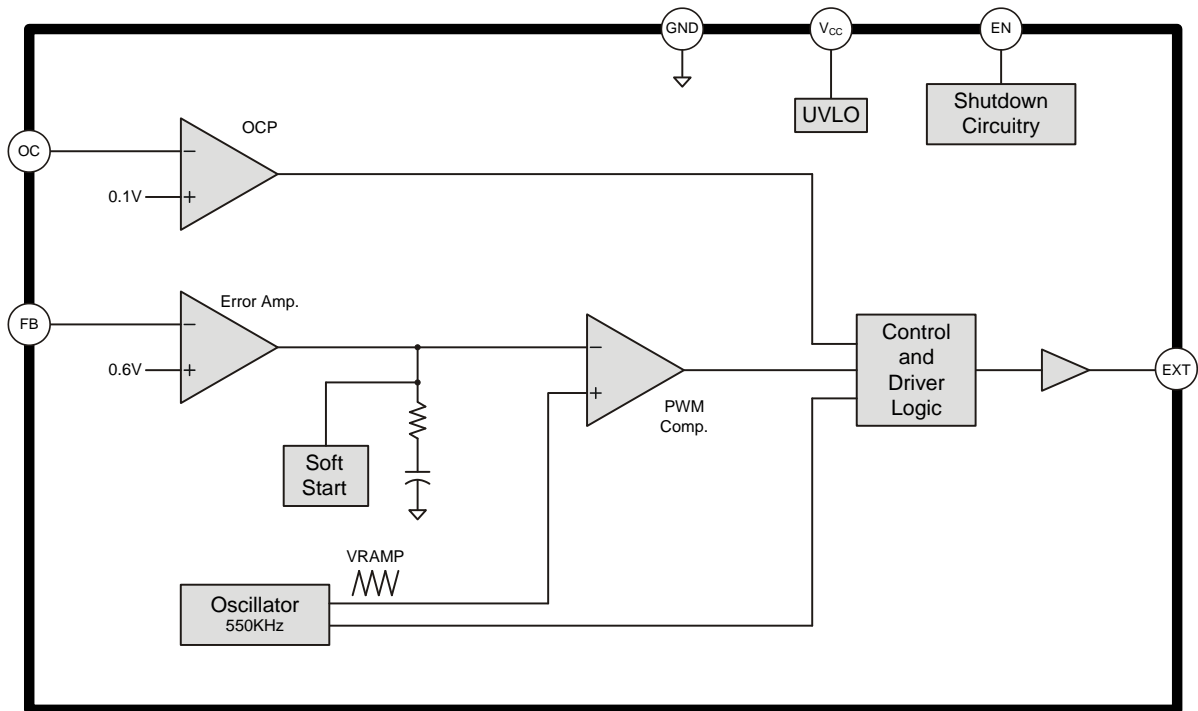
- Chargers
- LCD Displays
- Digital Cameras
- Handheld Devices
- Portable Products

### Typical Application Circuit



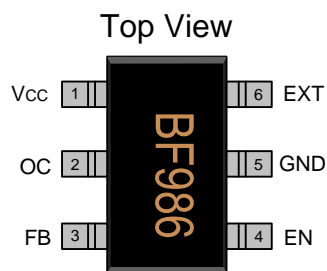
This datasheet contains new product information. Feeling Technology reserves the rights to modify the product specification without notice. No liability is assumed as a result of the use of this product. No rights under any patent accompany the sales of the product.

## Function Block Diagram



## Pin Descriptions

### SOT23-6L



| Name | No. | I / O | Description                          |
|------|-----|-------|--------------------------------------|
| Vcc  | 1   | P     | IC Power Supply                      |
| OC   | 2   | I     | Adjustable Output Current Protection |
| FB   | 3   | I     | Error Amplifier Inverting Input      |
| EN   | 4   | I     | Enable Control (Active High)         |
| GND  | 5   | P     | IC Ground                            |
| EXT  | 6   | O     | External Transistor Connection Pin   |

This datasheet contains new product information. Feeling Technology reserves the rights to modify the product specification without notice. No liability is assumed as a result of the use of this product. No rights under any patent accompany the sales of the product.