

3A, 23V, 385KHz Step-Down Converter



General Description

The FP6189 is a buck regulator with a built-in internal power MOSFET. It can provide 3A continuous output current over a wide input supply range with excellent load and line regulation. Current mode operation provides fast transient response and eases loop stabilization. The device includes cycle-by-cycle current limiting and thermal shutdown protection. Adjustable soft-start reduces the stress on the input source during power-on. The regulator only consumes 20 μ A supply current in shutdown mode. The FP6189 requires a minimum number of readily available external components to complete a 3A buck regulator solution.

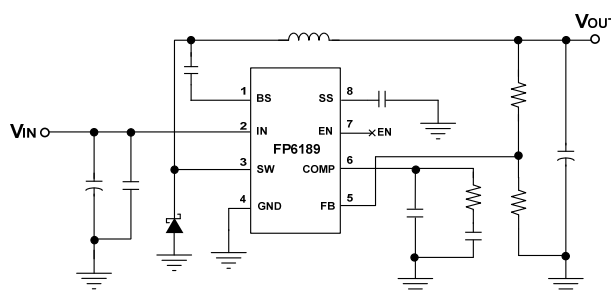
Features

- 3A Output Current
- Adjustable Soft-Start
- 0.1 Ω Internal High Side Power MOSFET Switch
- Stable with Low ESR Output Ceramic Capacitors
- Up to 95% Efficiency
- 20 μ A Shutdown Mode Current
- Fixed 385KHz Frequency
- Thermal Shutdown
- Cycle-by-Cycle Over Current Protection
- Wide 4.75 to 23V Operating Input Range
- Output Adjustable From 0.92V to 21V
- Available SOP-8L (EP)
- Under Voltage Lockout

Applications

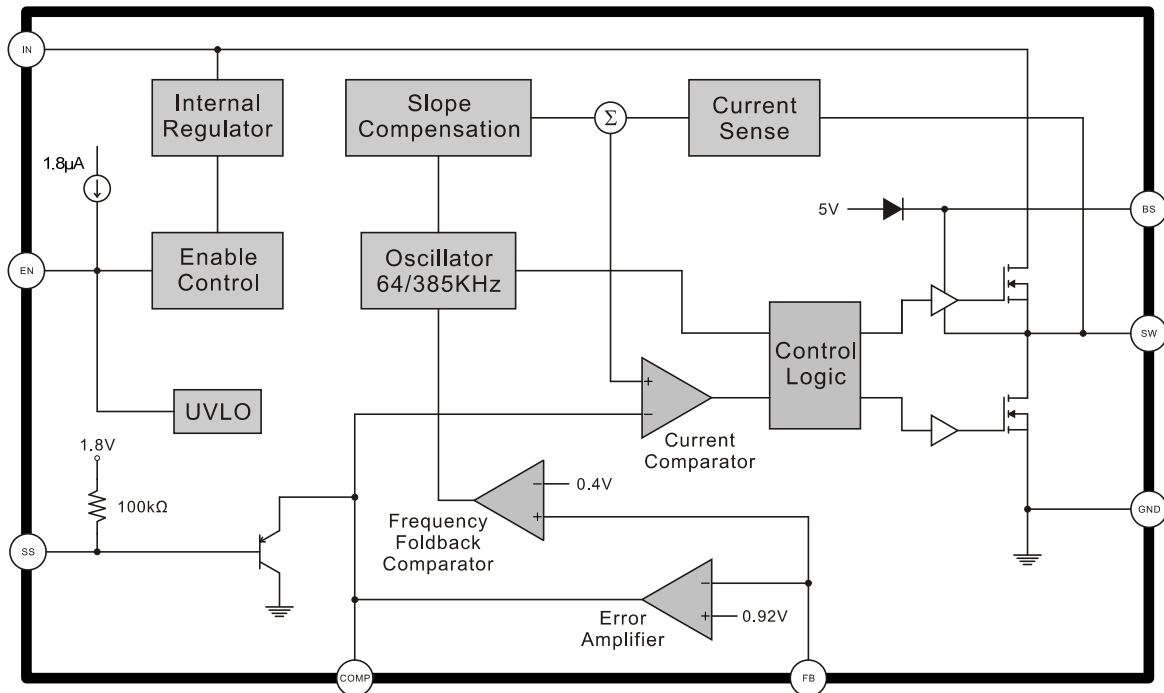
- Distributed Power Systems
- Battery Charger
- Pre-Regulator for Linear Regulators

Typical Application Circuit



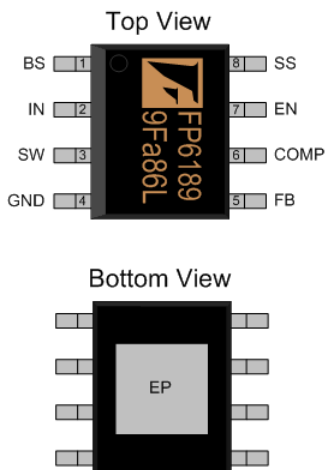
This datasheet contains new product information. Feeling Technology reserves the rights to modify the product specification without notice. No liability is assumed as a result of the use of this product. No rights under any patent accompany the sales of the product.

Function Block Diagram



Pin Descriptions

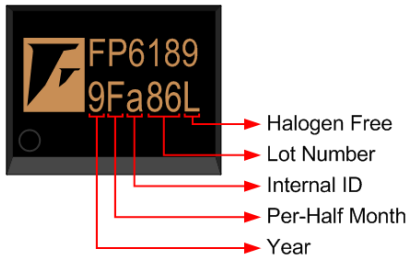
SOP-8L (EP)



Name	No.	I / O	Description
BS	1	O	Bootstrap
IN	2	P	Supply Voltage
SW	3	O	Switch
GND	4	P	Ground
FB	5	I	Feedback
COMP	6	O	Compensation
EN	7	I	Enable / UVLO
SS	8	O	Programmable Soft Start
EP	9	P	Exposed PAD is GND

This datasheet contains new product information. Feeling Technology reserves the rights to modify the product specification without notice. No liability is assumed as a result of the use of this product. No rights under any patent accompany the sales of the product.

Marking Information



Halogen Free: Halogen free product indicator

Lot Number: Wafer lot number's last two digits

For Example: 132386TB → 86

Internal ID: Internal Identification Code

Per-Half Month: Production period indicated in half month time unit

For Example: January → A (Front Half Month), B (Last Half Month)

February → C (Front Half Month), D (Last Half Month)

Year: Production year's last digit

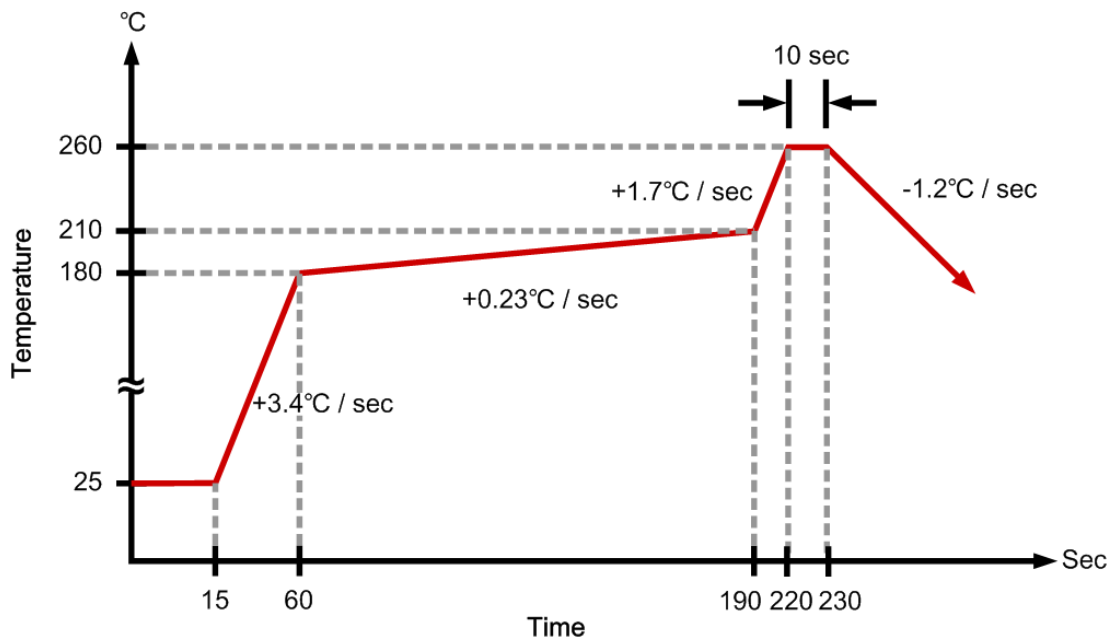
Ordering Information

Part Number	Operating Temperature	Package	MOQ	Description
FP6189XR-G1	-40°C ~ +85°C	SOP-8L (EP)	2500EA	Tape & Reel

Absolute Maximum Ratings

Parameter	Symbol	Conditions	Min.	Typ.	Max.	Unit
IN pin Supply Voltage	V_{IN}		-0.3		24	V
SW pin Voltage	V_{SW}		-1		$V_{IN} + 0.3$	V
BS pin Voltage	V_{BS}		$V_{SW} - 0.3$		$V_{SW} + 6$	V
All Other Pins			-0.3		6	V
Junction to Ambience Thermal Resistance	θ_{JA}	SOP-8L (EP)			60	°C / W
Junction to Case Thermal Resistance	θ_{JC}	SOP-8L (EP)			10	°C / W
Junction Temperature	T_J		-65		150	°C
Storage Temperature			-65		150	°C
Operating Temperature			-40		85	°C
Lead Temperature (soldering, 10 sec)		SOP-8L			260	°C

IR Re-flow Soldering Curve



This datasheet contains new product information. Feeling Technology reserves the rights to modify the product specification without notice. No liability is assumed as a result of the use of this product. No rights under any patent accompany the sales of the product.

Recommended Operating Conditions

Parameter	Symbol	Conditions	Min.	Typ.	Max.	Unit
Supply Voltage	V_{IN}		4.75		23	V
Operating Temperature			-40		85	°C

DC Electrical Characteristics ($V_{IN}=12V$, $T_A=25^{\circ}C$, unless otherwise noted)

Parameter	Symbol	Conditions	Min.	Typ.	Max.	Unit
Shutdown Supply Current	I_{ST}	$V_{EN}=0$		20	30	μA
Supply Current	I_{CC}	$V_{EN}=2.6V$, $V_{FB}=1.4V$		1	1.2	mA
Feedback Voltage	V_{FB}	$V_{IN}=12V$, $V_{COMP}<2V$	0.892	0.92	0.948	V
Error Amplifier Voltage Gain	G_{EA}			400		V / V
Error Amplifier Trans-conductance		$\Delta I_C=\pm 10\mu A$	500	800		$\mu A / V$
High Side Switch ON Resistance	R_{ON-HS}			0.1		Ω
Low Side Switch ON Resistance	R_{ON-LS}			10		Ω
High Side Switch Leakage Current	I_{IL}	$V_{EN}=0V$, $V_{SW}=0V$		0.1	10	μA
Current Limit	I_{CL}			5.5		A
Current Sense to COMP Tran-conductance				4.4		A / V
Oscillation Frequency	F_{OSC}		335	385	435	KHz
Short Circuit Oscillation Frequency		$V_{FB}=0V$	40	64	88	KHz
Maximum Duty Cycle		$V_{FB}=1.0V$		90		%
Minimum Duty Cycle		$V_{FB}=1.5V$			0	%
Under Voltage Lockout Threshold	V_{UVLO}	V_{EN} Rising	2.37	2.54	2.71	V
Under Voltage Lockout Threshold Hysteresis	V_{HYS}			210		mV
EN Threshold Voltage	V_{EN}		0.9	1.2	1.5	V
EN Pin Pull Up Current	I_{EN}	$V_{EN}=0V$	1.1	1.8	3	μA
Soft Start Period	V_{SS}	$C_{SS}=0.1\mu F$		10		ms
Thermal Shutdown	T_{TS}			150		°C

This datasheet contains new product information. Feeling Technology reserves the rights to modify the product specification without notice. No liability is assumed as a result of the use of this product. No rights under any patent accompany the sales of the product.

Typical Operating Characteristics

($V_{IN}=12V$, $V_{OUT}=3.3V$, $T_A=25^{\circ}C$, unless otherwise noted)

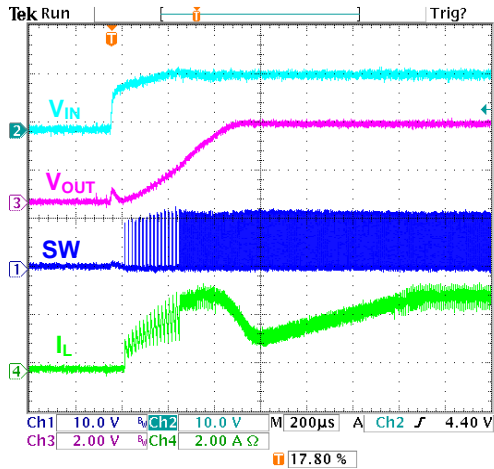


Figure 1 Power on

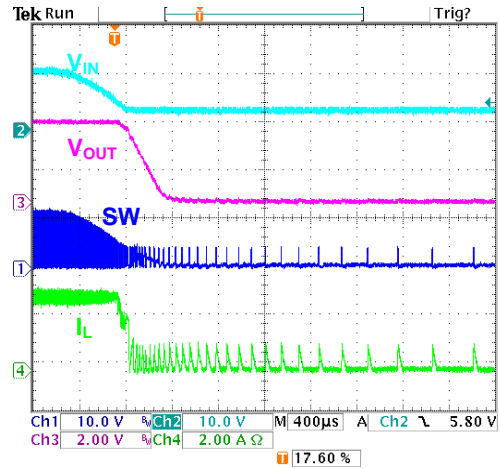


Figure 2 Power off

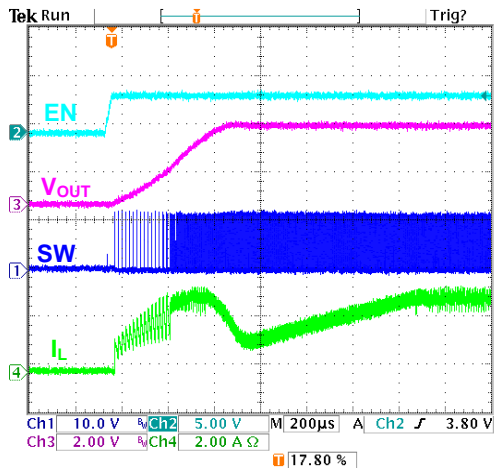


Figure 3 EN Pin Enable

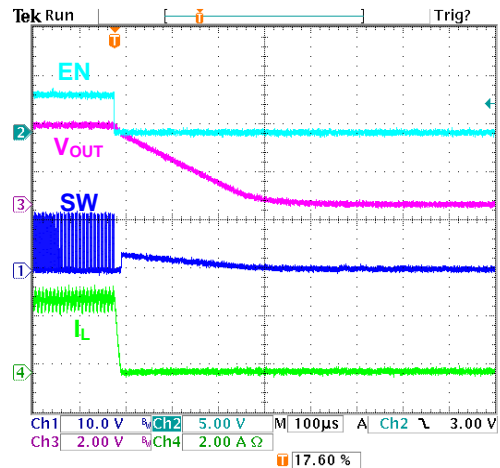


Figure 4 EN Pin Disable

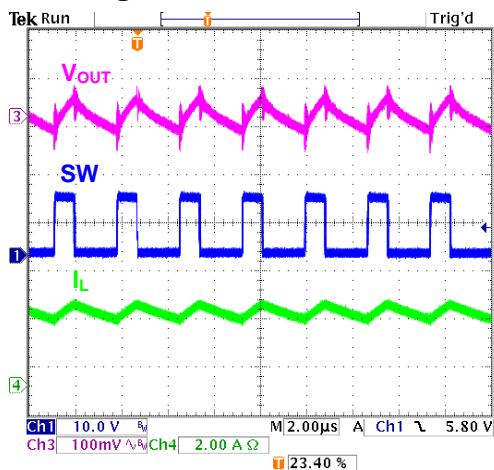


Figure 5 Load 3A Ripple

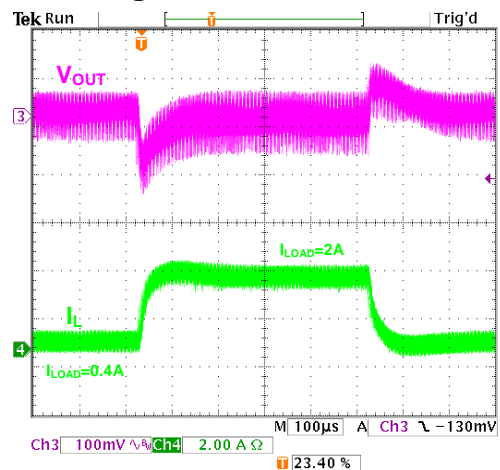


Figure 6 Load Step

This datasheet contains new product information. Feeling Technology reserves the rights to modify the product specification without notice. No liability is assumed as a result of the use of this product. No rights under any patent accompany the sales of the product.

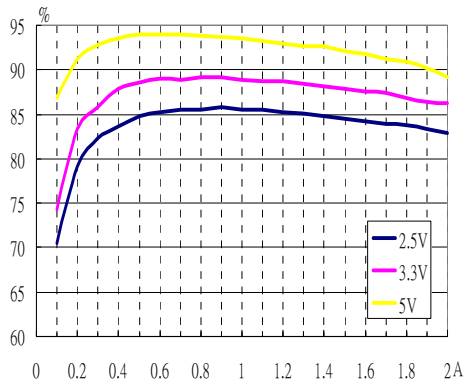


Figure 7 Efficiency (V_{IN}=7V)

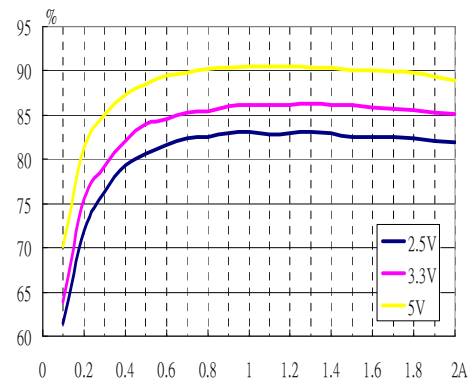


Figure 8 Efficiency (V_{IN}=10V)

This datasheet contains new product information. Feeling Technology reserves the rights to modify the product specification without notice. No liability is assumed as a result of the use of this product. No rights under any patent accompany the sales of the product.

Function Description

The FP6189 is a current-mode buck regulator. It regulates input voltages from 4.75V to 23V down to an output voltage as low as 0.92V with maximum 3A load current. The FP6189 uses current-mode control to regulate the output voltage. The output voltage is measured at FB pin through a resistive voltage divider and amplified by the internal error amplifier. The output current of the trans-conductance error amplifier is presented at COMP pin where a network compensates the regulation control system. The voltage at COMP pin is compared to the switch current measured internally to control the output voltage. The converter uses an internal n-channel MOSFET switch to step-down the input voltage to the regulated output voltage. Since the n-channel MOSFET requires a gate voltage greater than the input voltage, a boost capacitor connected between SW and BS pins is needed to drive the MOS gate. The capacitor is internally charged while the MOS switch is off. Another internal built-in 10Ω switch from SW to GND is used to insure that SW is pulled to GND when the switch is off to fully charge the BS pin capacitor.

Output Voltage (V_{OUT})

The output voltage is set using a resistive voltage divider from the output voltage to FB. The voltage divider divides the output voltage down by the ratio:

$$V_{FB} = V_{OUT} \times \frac{R_4}{R_2 + R_4}$$

Thus the output voltage is:

$$V_{OUT} = V_{FB} \times \frac{R_2 + R_4}{R_4}$$

A typical value for R_4 can be as high as 100k, but a typical value is 10K.

Enable Mode / Shutdown Mode

Drive EN pin to ground to shut down the FP6189. Shutdown mode forces the internal power MOSFET off, turns off all internal circuitry, and reduces the V_{IN} supply current to 20μA (typ.). The EN pin rising threshold is 1.2V (typ.). Before any operation begins, the voltage at EN pin must exceed 1.2V (typ.).

The EN pin input has a 100mV hysteresis.

Boost High-Side Gate Drive (BST)

Since the MOSFET requires a gate voltage greater than the input voltage, user should connect a flying bootstrap capacitor between SW and BS pin to provide the gate-drive voltage to the high-side n-channel MOSFET switch. The capacitor is charged by the internally regulator periodically when SW

This datasheet contains new product information. Feeling Technology reserves the rights to modify the product specification without notice. No liability is assumed as a result of the use of this product. No rights under any patent accompany the sales of the product.

pin is pulled to ground. During startup, an internal low-side switch pulls SW pin to ground and charges the BST capacitor to internally regulator output voltage. Once the BST capacitor is charged, the internal low-side switch is turned off and the BST capacitor provides the necessary enhancement voltage to turn on the high-side switch.

Thermal Shutdown Protection

The FP6189 features integrated thermal shutdown protection. Thermal shutdown protection limits allowable power dissipation (P_D) in the device and protects the device in the event of a fault condition. When the IC junction temperature exceeds $+150^{\circ}\text{C}$, an internal thermal sensor signals the shutdown logic to turn off the internal power MOSFET and allow the IC cooling down. The thermal sensor turns the internal power MOSFET back on after the IC junction temperature cools down to $+110^{\circ}\text{C}$, resulting in a pulsed output under continuous thermal overload conditions.

Application Information

Input Capacitor Selection

The input current of the step-down converter is discontinuous, therefore a capacitor is required to supply the AC current to the step-down converter while maintaining the DC input voltage. Use low ESR capacitors for the best performance. Ceramic capacitors are preferred, but tantalum or low-ESR electrolytic capacitors may also suffice.

The input capacitor can be electrolytic, tantalum or ceramic. When electrolytic or tantalum capacitors are used, a small, high quality 0.1 μ F ceramic capacitor should be placed beside the IC as close as possible.

When using ceramic capacitors, make sure that they have enough capacitance to provide sufficient charge to prevent excessive voltage ripple at converter input. The input voltage ripple can be estimated by

$$C_{IN} = \frac{I_o}{f \times \Delta V_{IN}} \times D(1-D)$$

Inductor Selection

The inductor is required to supply current to the output load while being driven by the switched input voltage. A larger value inductor will result in less ripple current that will result in lower output ripple voltage. However, the larger value inductor will have a larger physical size, higher series resistance, and/or lower saturation current. A good rule for determining the inductance to use is to allow the peak-to-peak ripple current in the inductor to be approximately 30% of the maximum switch current. Also, make sure that the peak inductor current is below the maximum switch current limit. The inductance value can be calculated by

$$L = \frac{V_o + V_D}{I_o \gamma f} \times (1-D)$$

Where γ is the ripple current ratio

$$\text{RMS current in inductor } I_{L_{rms}} = I_o \sqrt{1 + \frac{\gamma^2}{12}}$$

Output Capacitor Selection

The output capacitor is required to maintain the DC output voltage. Ceramic, tantalum, or low ESR electrolytic capacitors are recommended. Low ESR capacitors are preferred to keep the output voltage ripple low. The output voltage ripple can be estimated by:

This datasheet contains new product information. Feeling Technology reserves the rights to modify the product specification without notice. No liability is assumed as a result of the use of this product. No rights under any patent accompany the sales of the product.

$$\Delta V_{OUT} = \frac{V_{OUT} \times (V_{IN} - V_{OUT})}{f \times L \times V_{IN}} \times \left(ESR + \frac{1}{8 \times f \times C_{OUT}} \right)$$

In the case of ceramic capacitors, the output ripple is dominated by the capacitance value because of its low ESR. In the case of tantalum or electrolytic capacitors, the capacitor high ESR dominates the output ripple. Followings are equations for determining appropriate capacitor parameters.

I . Ceramic capacitors: choose capacitance value

$$C_{OUT} = \frac{V_{OUT}}{8 \times f^2 \times L \times \Delta V_{OUT}} \times \left(1 - \frac{V_{OUT}}{V_{IN}} \right)$$

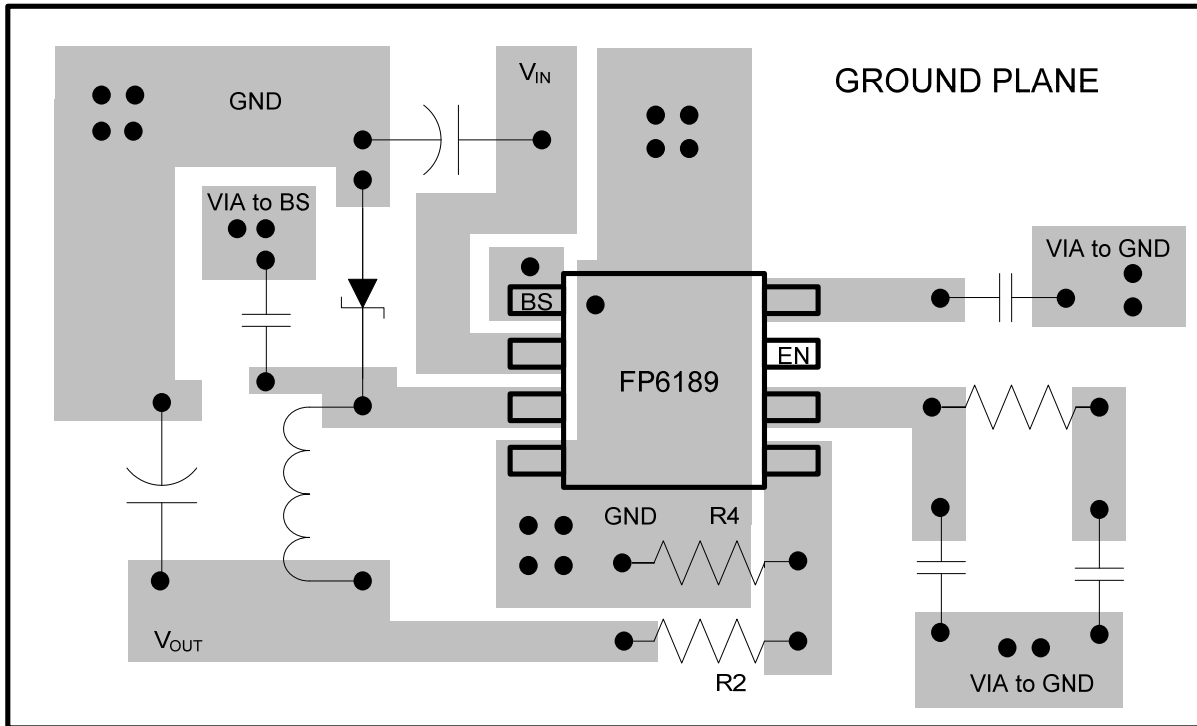
II . Tantalum or electrolytic capacitors: choose capacitor with ESR value

$$ESR = \frac{\Delta V_{OUT} \times f \times L \times V_{IN}}{V_{OUT} \times (V_{IN} - V_{OUT})}$$

PC Board Layout Checklist

1. The power traces, consisting of the GND, SW and V_{IN} traces, should be kept short, direct and wide.
2. Place C_{IN} near IN pin as closely as possible to maintain input voltage steady and filter out the pulsing input current.
3. The resistive divider R_2 and R_4 must be connected directly to FB pin as closely as possible.
4. FB is a sensitive node. Please keep it away from switching node SW. A good approach is to route the feedback trace on another layer and have a ground plane between the top and feedback trace routing layer. This reduces EMI radiation on to the DC-DC converter's own voltage feedback trace.

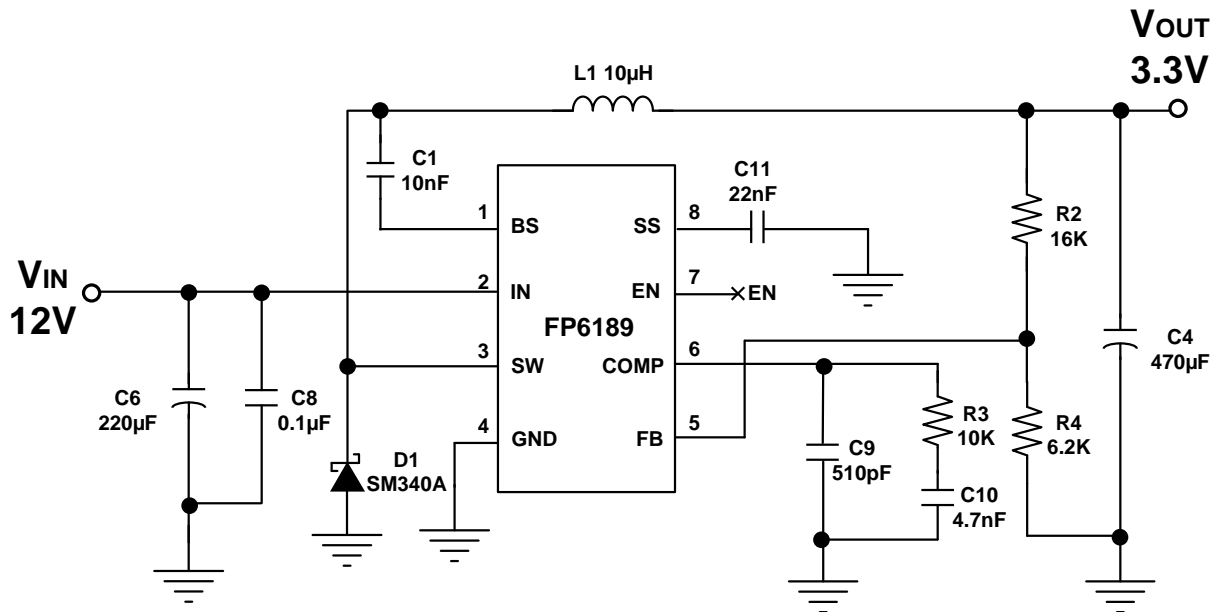
This datasheet contains new product information. Feeling Technology reserves the rights to modify the product specification without notice. No liability is assumed as a result of the use of this product. No rights under any patent accompany the sales of the product.



Suggested Layout

This datasheet contains new product information. Feeling Technology reserves the rights to modify the product specification without notice. No liability is assumed as a result of the use of this product. No rights under any patent accompany the sales of the product.

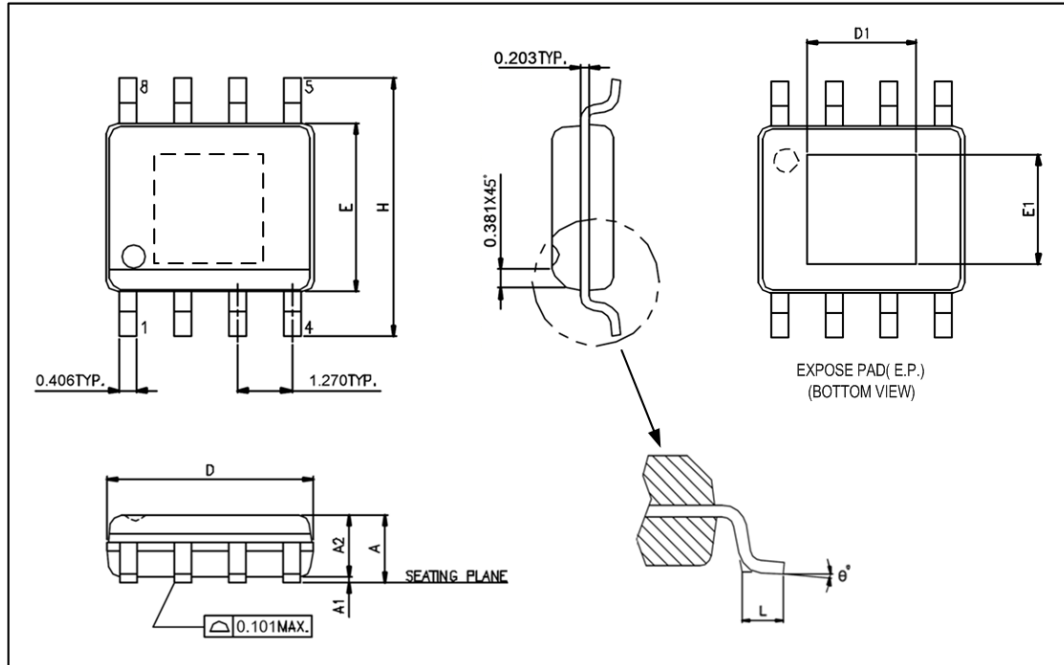
Typical Application



This datasheet contains new product information. Feeling Technology reserves the rights to modify the product specification without notice. No liability is assumed as a result of the use of this product. No rights under any patent accompany the sales of the product.

Package Outline

SOP-8L (EP)


UNIT: mm

Symbols	Min. (mm)	Max. (mm)
A	1.346	1.752
A1	0.050	0.152
A2		1.498
D	4.800	4.978
E	3.810	3.987
H	5.791	6.197
L	0.406	1.270
θ°	0°	8°

Exposed PAD Dimensions:

Symbols	Min. (mm)	Max. (mm)
E1		2.184 REF
D1		2.971 REF

Note:

1. Package dimensions are in compliance with JEDEC outline: MS-012 AA.
2. Dimension "D" does not include molding flash, protrusions or gate burrs.
3. Dimension "E" does not include inter-lead flash or protrusions.

This datasheet contains new product information. Feeling Technology reserves the rights to modify the product specification without notice. No liability is assumed as a result of the use of this product. No rights under any patent accompany the sales of the product.