

## Low-Noise 4.5A Step-Up Current Mode PWM Converter



### General Description

The FP6298 is a current mode boost DC-DC converter. It is PWM circuitry with built-in 0.08Ω power MOSFET make this regulator highly power efficient. The internal compensation network also minimizes as much as 6 external component counts. The non-inverting input of error amplifier connects to a 0.6V precision reference voltage and internal soft-start function can reduce the inrush current.

The FP6298 is available in the SOP-8L(EP) package and provides space-saving PCB for the application fields.

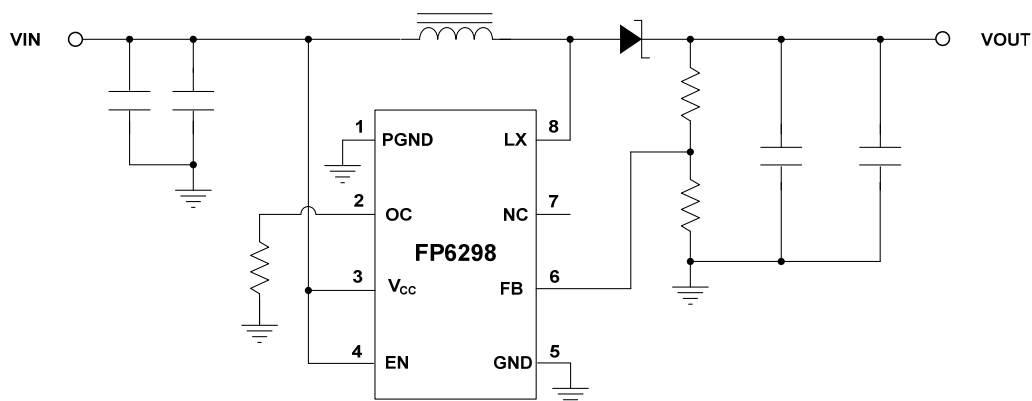
### Features

- Adjustable Output up to 9V
- Internal Fixed PWM frequency: 500KHz
- Precision Feedback Reference Voltage: 0.6V (±2%)
- Internal 0.08Ω, 4.5A, 12V Power MOSFET
- Shutdown Current: 0.1μA
- Over Temperature Protection
- Over Voltage Protection
- Adjustable Over Current Protection: 0.5A ~ 4.5A
- Package: SOP-8L(EP)

### Applications

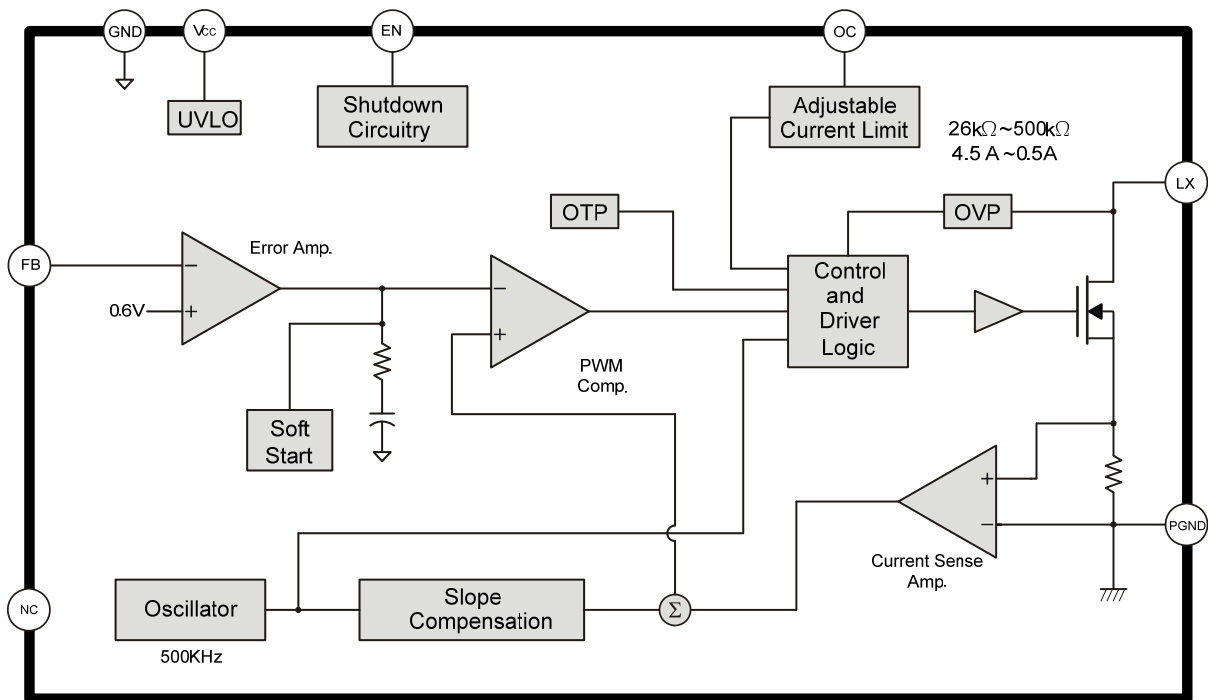
- Chargers
- LCD Displays
- Digital Cameras
- Handheld Devices
- Portable Products

### Typical Application Circuit



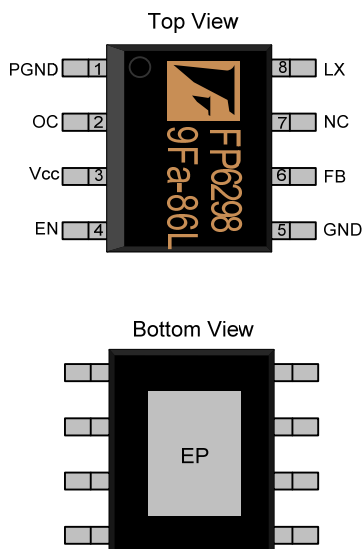
This datasheet contains new product information. Feeling Technology reserves the rights to modify the product specification without notice. No liability is assumed as a result of the use of this product. No rights under any patent accompany the sales of the product.

## Function Block Diagram



## Pin Descriptions

### SOP-8L(EP)

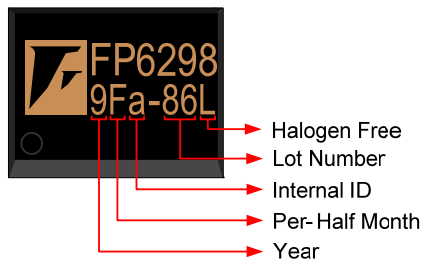


Name	No.	I / O	Description
PGND	1	P	IC Ground
OC	2	I	Adjustable Current Limit (Floating Available)
Vcc	3	P	IC Power Supply
EN	4	I	Enable Control (Active High)
GND	5	P	IC Ground
FB	6	I	Error Amplifier Inverting Input
NC	7	NA	Connect to GND or floating cannot connect to other node
LX	8	O	Power Switch Output
EP	9	P	Exposed PAD (Must connect to Ground)

This datasheet contains new product information. Feeling Technology reserves the rights to modify the product specification without notice. No liability is assumed as a result of the use of this product. No rights under any patent accompany the sales of the product.

## Marking Information

### SOP-8L(EP)



**Halogen Free:** Halogen free product indicator.

**Lot Number:** Wafer lot number's last two digits.

For Example: 132386TB → 86

**Internal ID:** Internal Identification Code.

**Per-Half Month:** Production period indicated in half month time unit.

For Example: January → A(Front Half Month), B(Last Half Month)

February → C(Front Half Month), D(Last Half Month)

**Year:** Production year's last digit

## Ordering Information

Part Number	Operating Temperature	Package	MOQ	Description
FP6298XR-G1	-40°C ~ 85°C	SOP-8L(EP)	2500EA	Tape & Reel

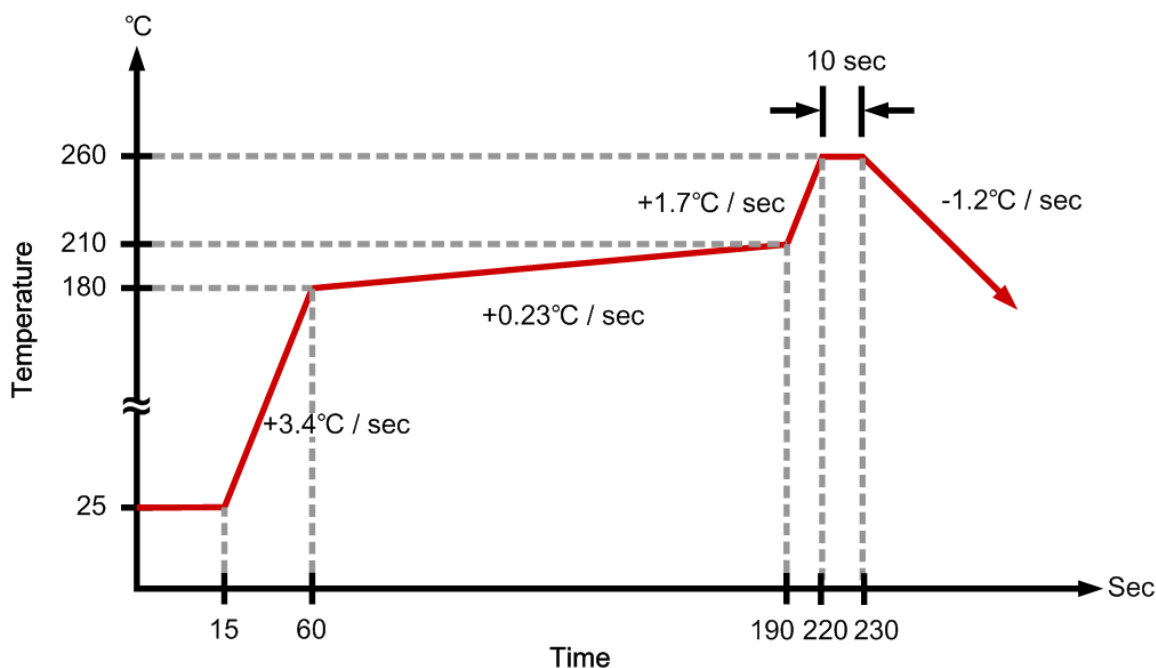
## Absolute Maximum Ratings

Parameter	Symbol	Conditions	Min.	Typ.	Max.	Unit
Supply Voltage	$V_{CC}$		0		6	V
LX Voltage	$V_{LX}$		0		12	V
EN,FB Voltage			0		6	V
Thermal Resistance (Note1)	$\theta_{JA}$	SOP-8L(EP)			+83	°C / W
Junction Temperature	$T_J$				+150	°C
Operating Temperature	$T_{OP}$		-40		+85	°C
Storage Temperature	$T_{ST}$		-65		+150	°C
Lead Temperature		(soldering, 10 sec)			+260	°C

### Note1:

$\theta_{JA}$  is measured in the natural convection at  $T_A=25^\circ\text{C}$  on a low effective thermal conductivity test board of JEDEC 51-3 thermal measurement standard.

## IR Re-flow Soldering Curve



This datasheet contains new product information. Feeling Technology reserves the rights to modify the product specification without notice. No liability is assumed as a result of the use of this product. No rights under any patent accompany the sales of the product.

## Recommended Operating Conditions

Parameter	Symbol	Conditions	Min.	Typ.	Max.	Unit
Supply Voltage	V <sub>IN</sub>		2.6		5.5	V
Operating Temperature Range	T <sub>A</sub>	Ambient Temperature	-40		+85	°C

## DC Electrical Characteristics (V<sub>CC</sub>=3.3V, T<sub>A</sub>=25°C, unless otherwise specified)

Parameter	Symbol	Conditions	Min.	Typ.	Max.	Unit
<b>System Supply Input</b>						
Input Supply Range	V <sub>CC</sub>		2.6		5.5	V
Under Voltage Lockout	V <sub>UVLO</sub>			2.2		V
UVLO Hysteresis				0.1		V
Quiescent Current	I <sub>CC</sub>	V <sub>FB</sub> =0.66V, No switching		0.2		mA
Average Supply Current	I <sub>CC</sub>	V <sub>FB</sub> =0.55V, Switching		6.5		mA
Shutdown Supply Current	I <sub>CC</sub>	V <sub>EN</sub> =GND		0.1		μA
<b>Oscillator</b>						
Operation Frequency	F <sub>OSC</sub>		400	500	600	KHz
Frequency Change with Voltage	Δf / ΔV	V <sub>CC</sub> =2.6V to 5.5V		5		%
Maximum Duty Cycle	T <sub>DUTY</sub>			90		%
<b>Reference Voltage</b>						
Reference Voltage	V <sub>REF</sub>		0.588	0.6	0.612	V
Line Regulation		V <sub>CC</sub> =2.6V ~ 5.5V		0.2		% / V
<b>Enable Control</b>						
Enable Voltage	V <sub>EN</sub>		0.96			V
Shutdown Voltage	V <sub>EN</sub>				0.6	V
<b>MOSFET</b>						
On Resistance of Driver	R <sub>DS(ON)</sub>	I <sub>LX</sub> =2A		0.08		Ω
<b>Protection</b>						
OCP Current	I <sub>OCP</sub>			4.5		A
Adjustable OCP Current	I <sub>OCP</sub>	With External Resistor : 26k~500k	0.5		4.5	A
OTP Temperature	T <sub>OTP</sub>			+150		°C

This datasheet contains new product information. Feeling Technology reserves the rights to modify the product specification without notice. No liability is assumed as a result of the use of this product. No rights under any patent accompany the sales of the product.

## Function Description

### Operation

The FP6298 is a current mode boost converter. The switching frequency is 500KHz and operates with pulse width modulation (PWM). Build-in 12V / 4.5A MOSFET provides a high output voltage. The control loop architecture is peak current mode control; therefore slope compensation circuit is added to the current signal to allow stable operation for duty cycles larger than 50%.

### Soft Start Function

Soft start circuitry is integrated into FP6298 to avoid inrush current during power on. After the IC is enabled, the output of error amplifier is clamped by the internal soft-start function, which causes PWM pulse width increasing slowly and thus reducing input surge current.

### Current Limit Program

A resistor between OC and GND pin programs peak switch current. The resistor value should be between 26k to 500k. The current limit will be set from 4.5A to 0.5A. Keep traces at this pin as short as possible. Do not put capacitance at this pin. To set the over current trip point according to the following equation:

$$I_{\text{OCP}} = \frac{110000}{R3} + 0.3$$

### Over Temperature Protection (OTP)

FP6298 will turn off the power MOSFET automatically when the internal junction temperature is over 150°C. The power MOSFET wake up when the junction temperature drops 30°C under the OTP threshold temperature.

### Over Voltage Protection (OVP)

In some condition, the resistive divider may be unconnected, which will cause PWM signal to operate with maximum duty cycle and output voltage is boosted higher and higher. The power MOSFET will be turned off immediately, when the output voltage exceeds the OVP threshold level. The FP6298's OVP threshold is 12V.

## Application Information

### Inductor Selection

Inductance value is decided based on different condition. 3.3uH to 4.7μH inductor value is recommended for general application circuit. There are three important inductor specifications, DC resistance, saturation current and core loss. Low DC resistance has better power efficiency.

### Capacitor Selection

The output capacitor is required to maintain the DC voltage. Low ESR capacitors are preferred to reduce the output voltage ripple. Ceramic capacitor of X5R and X7R are recommended, which have low equivalent series resistance (ESR) and wider operation temperature range.

### Diode Selection

Schottky diodes with fast recovery times and low forward voltages are recommended. Ensure the diode average and peak current rating exceed the average output current and peak inductor current. In addition, the diode's reverse breakdown voltage must exceed the output voltage.

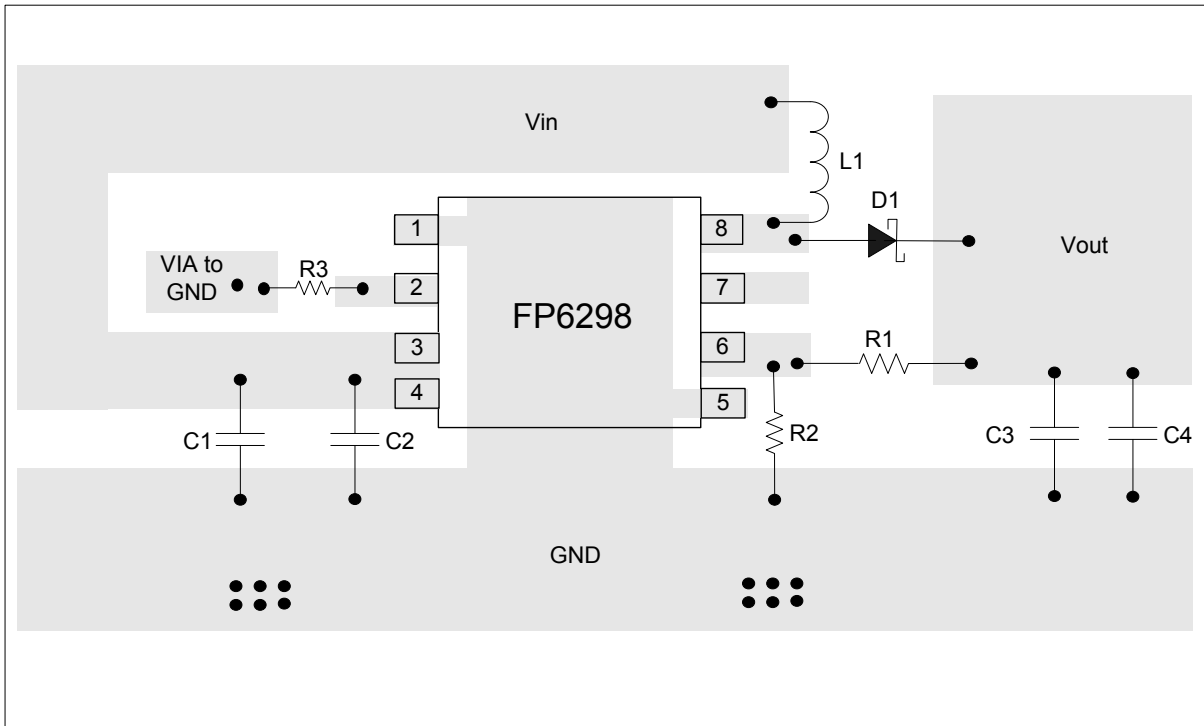
### Output Voltage Programming

The output voltage is set by a resistive voltage divider from the output voltage to FB. The output voltage is:

$$V_{OUT} = 0.6V \left( 1 + \frac{R1}{R2} \right)$$

### Layout Considerations

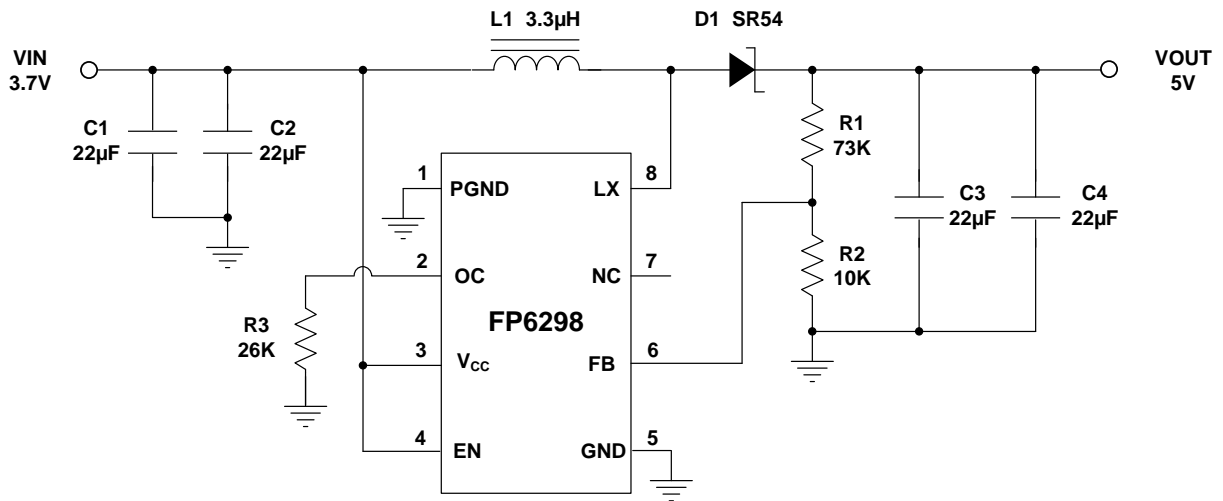
1. The power traces, consisting of the GND trace, the LX trace and the  $V_{CC}$  trace should be kept short, direct and wide.
2. LX · L and D switching node, wide and short trace to reduce EMI.
3. Place  $C_{IN}$  near  $V_{CC}$  pin as closely as possible to maintain input voltage steady and filter out the pulsing input current.
4. The resistive divider R1 and R2 must be connected to FB pin directly as closely as possible.
5. FB is a sensitive node. Please keep it away from switching node, LX.
6. The GND of the IC,  $C_{IN}$  and  $C_{OUT}$  should be connected close together directly to a ground plane.



Suggested Layout



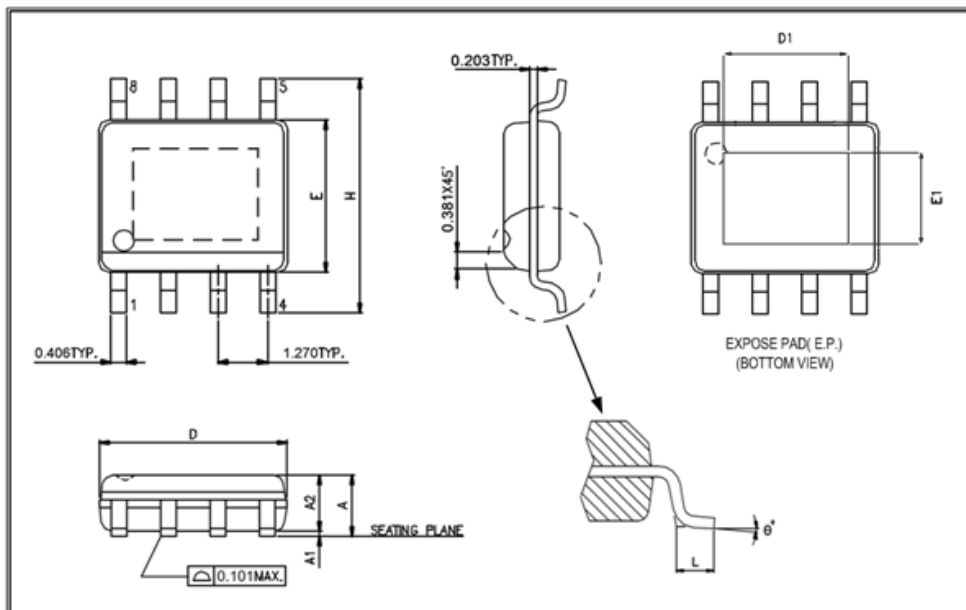
## Typical Application



Note: Don't pull the Vout back to the FP6298's Vcc pin. When the system receives the noise, it will lead to Vout ripple too high and over the absolute maximum rating of the Vcc pin.

## Package Outline

### SOP-8L(EP)



UNIT: mm

Symbols	Min. (mm)	Max. (mm)
A	1.346	1.752
A1	0.050	0.152
A2		1.498
D	4.800	4.978
E	3.810	3.987
H	5.791	6.197
L	0.406	1.270
$\theta^\circ$	0°	8°

#### Exposed PAD Dimensions:

Symbols	Min. (mm)	Max. (mm)
E1		2.184 REF
D1		2.971 REF

#### Note:

1. Package dimensions are in compliance with JEDEC outline: MS-012 AA.
2. Dimension "D" does not include molding flash, protrusions or gate burrs.
3. Dimension "E" does not include inter-lead flash or protrusions.