

FP6372 High Efficiency 1MHz 3.5A Synchronous Step Down Regulator

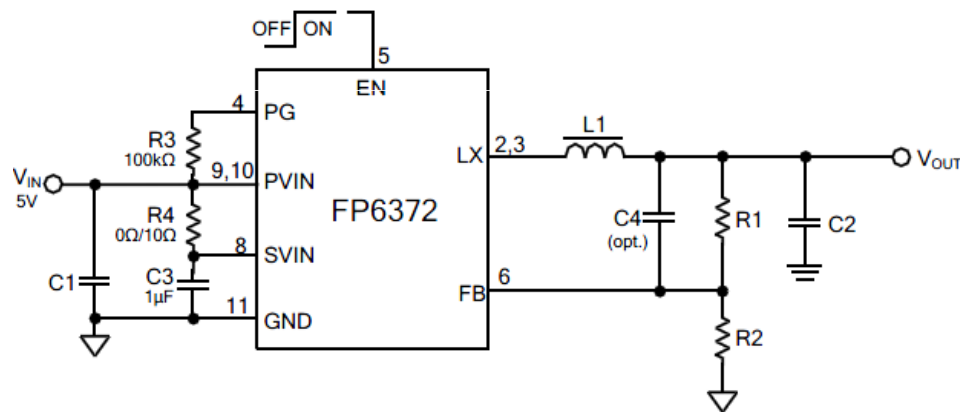
FEATURES

- High Efficiency up to 96%
- Low RDS(ON) for Internal Switch (Top/Bottom): 85/65mΩ
- 2.7V-5.5V Input Voltage Range
- Adjustable Output Voltage Down to 0.6V
- Internal Compensation Function
- 1MHz Switching Frequency Minimizes the External Components
- Internal Soft-start Limits the Inrush Current
- 100% Dropout Operation
- RoHS Compliant and Halogen Free

PIN DESCRIPTION

| NAME | TDFN-10 | DESCRIPTION |
|--------------------|---------|------------------------------|
| NC | 1,7 | No connected |
| LX | 2,3 | Inductor |
| PG | 4 | Open Drain Power Good Output |
| EN | 5 | Enable Control |
| FB | 6 | Feedback |
| SVIN | 8 | Signal Input |
| PVIN | 9,10 | Power Input |
| Exposed Pad | 11 | Ground |

TYPICAL APPLICATION CIRCUIT



TYPICAL APPLICATION

- Set Top Box
- LCD TV
- Notebook Computers
- Tablet PC

PACKAGE

WD Package (TDFN-10)(3mm x 3mm)

