

FP6377 High Efficiency 1.5MHz 1.2A Synchronous Step Down Regulator

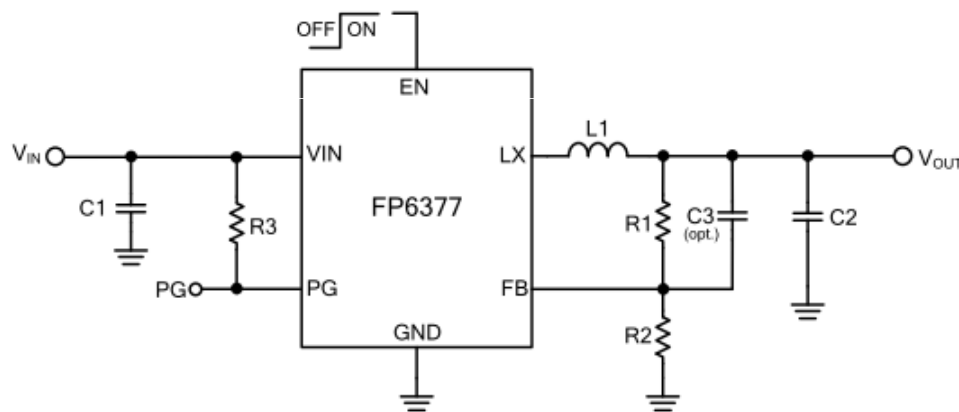
FEATURES

- Low R_{DS(ON)} for Internal Switch (Top/Bottom): 200/150mΩ
- 2.5V~5.5V Input Voltage Range
- 1.2A Output Current
- High Efficiency up to 95%
- 1.5MHz Switching Frequency Minimizes the External Components
- Internal Soft-Start Limits the Inrush Current
- Internal Compensation Function
- 100% Dropout Operation
- Power Good Indicator Output (SOT-23-6 only)
- RoHS Compliant and Halogen Free

PIN DESCRIPTION

Pin Name	Pin No.	Pin No.	Pin Function
	(SOT-23-5)	(SOT-23-6)	
EN	1	1	Enable Control.
GND	2	2	Ground
LX	3	3	Power Switching Output
VIN	4	4	Power Supply Input Pin.
PG	***	5	Open Drain Power Good Output
FB	5	6	Voltage Feedback Input

TYPICAL APPLICATION CIRCUIT



TYPICAL APPLICATION

- Set Top Box
- LCD TV
- Mini-Notebook
- Net PC

PACKAGE

SOT23-5/SOT23-6

