

FP6381 High Efficiency 1.5MHz 1A Synchronous Step Down Regulator

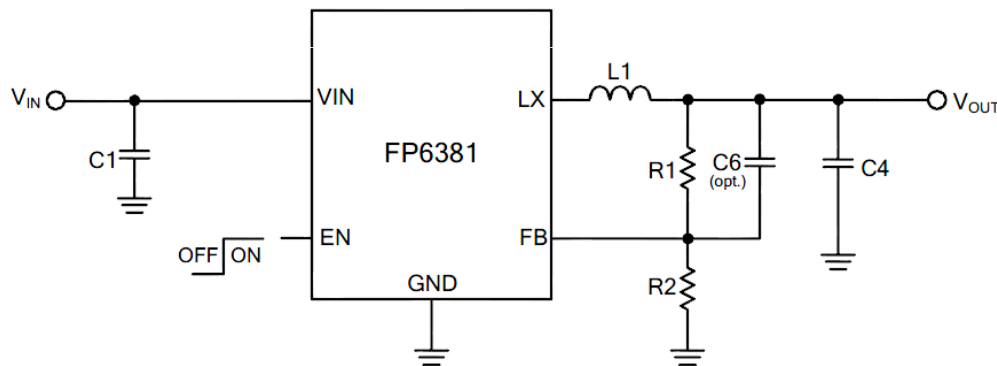
FEATURES

- Low RDS(ON) for Internal Switch (Top/Bottom): 200/150mΩ
- 2.5V~5.5V Input Voltage Range
- 1A Output Current
- 1.5MHz Switching Frequency Minimizes the External Components
- Internal Soft-start Limits the Inrush Current
- Internal Compensation Function
- 100% Dropout Operation

PIN DESCRIPTION

NAME	TDFN-6	DESCRIPTION
NC	1	No connected
EN	2	Enable Pin
VIN	3	Power Input
LX	4	Inductor
GND	5	Ground
FB	6	Feedback

TYPICAL APPLICATION CIRCUIT



TYPICAL APPLICATION

- Set Top Box
- LCD TV
- Mini-Notebook
- Net PC

PACKAGE

TDFN-6 (2mm*2mm)

