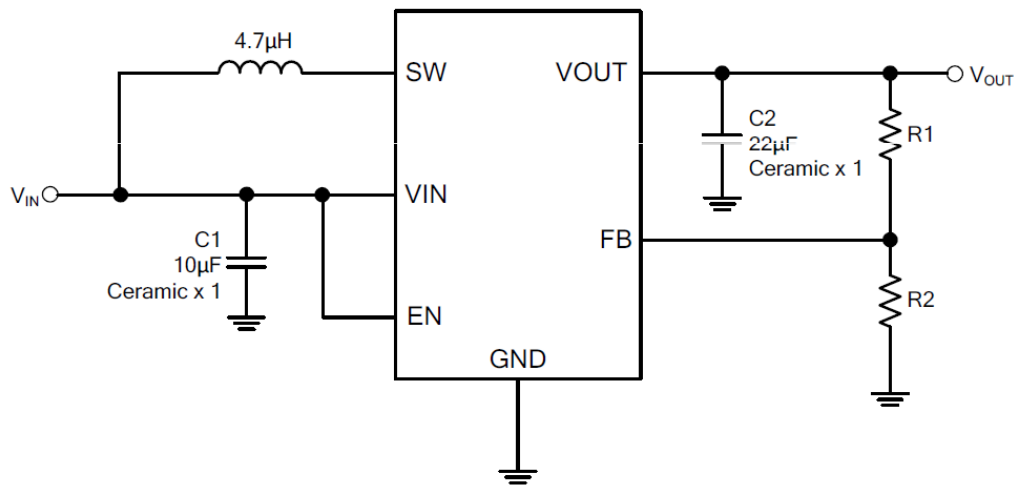


FP6714 High-Efficiency, 1-Cell and 2-Cell Boost Converter

FEATURES

- Synchronous Rectification: 94% Efficiency
- Very Low Start-up Voltage at 0.85V
- Automatically Switch to PSM Mode for Improving Efficiency at Light Load
- Internal Anti-Ringing Switch Across Inductor
- Fixed Frequency Operation at 1.0MHz
- Very Low Shutdown Current at 1 μ A
- Small SOT-23-6 Package
- RoHS Compliant

TYPICAL APPLICATION CIRCUIT

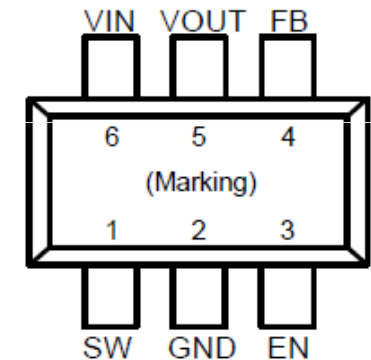


PIN DESCRIPTION

Pin Name	SOT-23-6	DESCRIPTION
SW	1	Switch input
GND	2	Ground
EN	3	Chip-enable input.
FB	4	Feedback input
VOUT	5	Output voltage
VIN	6	Input voltage

PACKAGE

SOT-23-6



TYPICAL APPLICATION

Handheld Instrument

Cordless Phone

Wireless Handset

GPS Receiver

MP3