

LED Driver with Average-Mode Constant Current Control



General Description

The FP7186 is an average current mode control LED driver IC operating in a constant off-time mode. FP7186 does not produce a peak-to-average error, and therefore greatly improves accuracy, line and load regulation of the LED current without any need for loop compensation or high-side current sensing. The output LED current accuracy is $\pm 2\%$.

The FP7186 can be powered from an 9.0 - 12V supply. A PWM dimming input is provided that accepts an external control TTL compatible signal. The output current can be programmed by an internal 250mV reference.

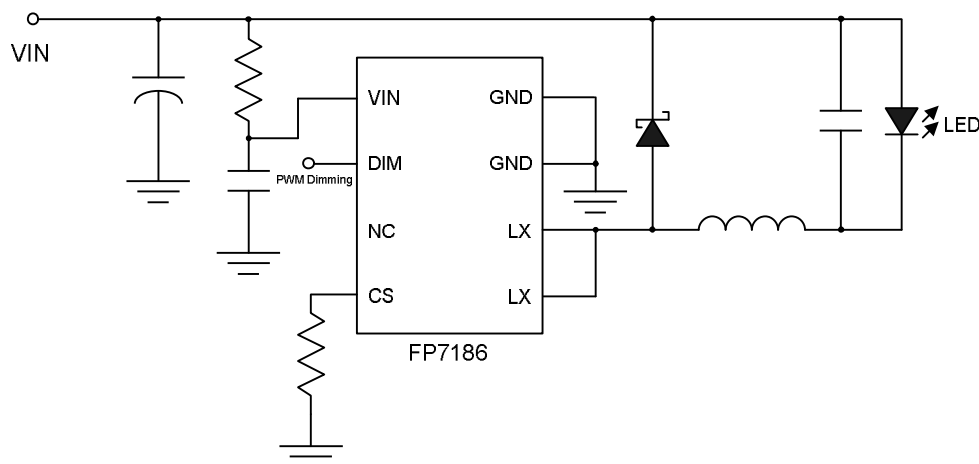
Features

- Fast average current control
- PWM dimming capability
- Output short circuit protection with skip mode
- Requires few external components for operation
- Internal 100V N-MOSFET

Applications

- DC/DC LED driver applications
- Back lighting of flat panel displays
- General purpose constant current source
- Signage and decorative LED lighting
- Chargers

Typical Application Circuit



This datasheet contains new product information. Feeling Technology reserves the rights to modify the product specification without notice. No liability is assumed as a result of the use of this product. No rights under any patent accompany the sales of the product.