

## LED Driver with Average-Mode Constant Current Control



### General Description

The FP7188 is an average current mode control LED driver IC operating in a constant off-time mode. FP7188 does not produce a peak-to-average error, and therefore greatly improves accuracy, line and load regulation of the LED current without any need for loop compensation or high-side current sensing. The output LED current accuracy is  $\pm 2\%$ .

The FP7188 can be powered from an 8.0 - 100V supply. A PWM dimming input is provided that accepts an external control TTL compatible signal. The output current can be programmed by an internal 250mV reference, or controlled externally through a 0.2 – 1.5V dimming input.

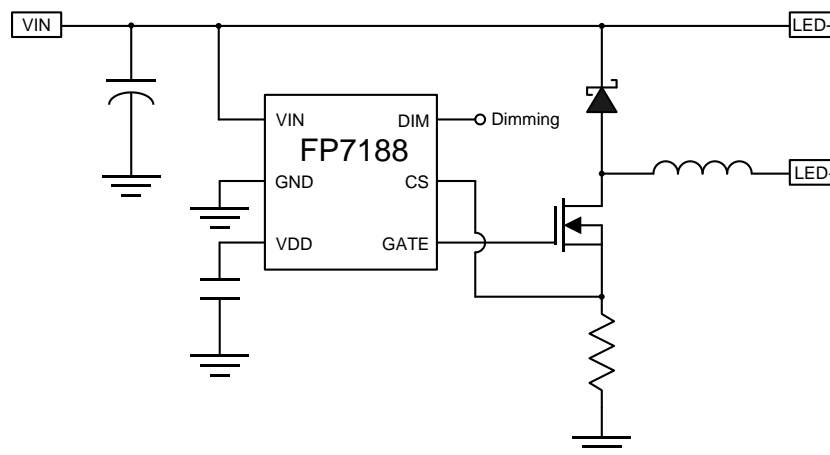
### Features

- Fast average current control
- Internal 8 to 100V linear regulator
- Linear and PWM dimming capability
- Output short circuit protection with skip mode
- Requires few external components for operation

### Applications

- DC/DC LED driver applications
- LED street lighting
- Back lighting of flat panel displays
- General purpose constant current source
- Signage and decorative LED lighting
- Chargers

### Typical Application Circuit



This datasheet contains new product information. Feeling Technology reserves the rights to modify the product specification without notice. No liability is assumed as a result of the use of this product. No rights under any patent accompany the sales of the product.