

## 3.5A Synchronous Switch-Mode Li-Ion Battery Charger

### General Description



The FP8208A is a highly integrated synchronous switch-mode Li-Ion Battery Charger. With few external components, FP8208A is well suited for a wide range of portable applications. Charging current can be programmed by an external current sensing resistor. With 720KHz switching frequency, FP8208A can use of small external components. Other features include UVLO, automatic recharge, charge status indicators and battery temperature monitor.

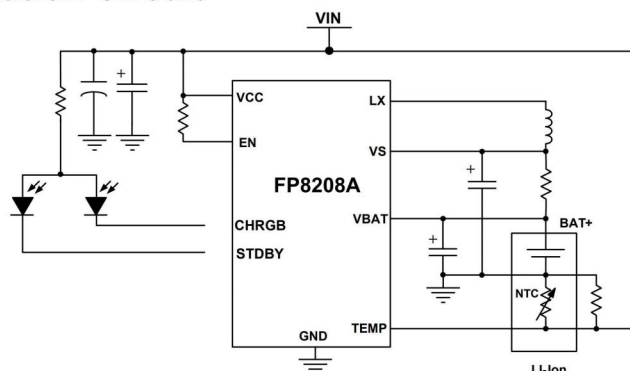
### Features

- Up to 3.5A Programmable Charge Current
- Up to 92% Efficiency
- Preset 4.2V Charge Voltage with  $\pm 1\%$  Accuracy
- Fixed Frequency Operation at 720kHz
- Adjustable Charge Current using External Resistance Setting
- No external MOSFET and Blocking Diode Required
- Switch-model Charger for single cell Li-Ion Batteries
- Input Voltage Regulation
- Automatic Recharge
- 2.9V Trickle Charge Voltage
- C/10 Charge Termination
- Battery Over-Temperature Protection
- Over-Voltage · Over-Charge Current · Battery Short and Thermal Protection
- Charge Status Indicators for No Battery and Charge Failure Display

### Applications

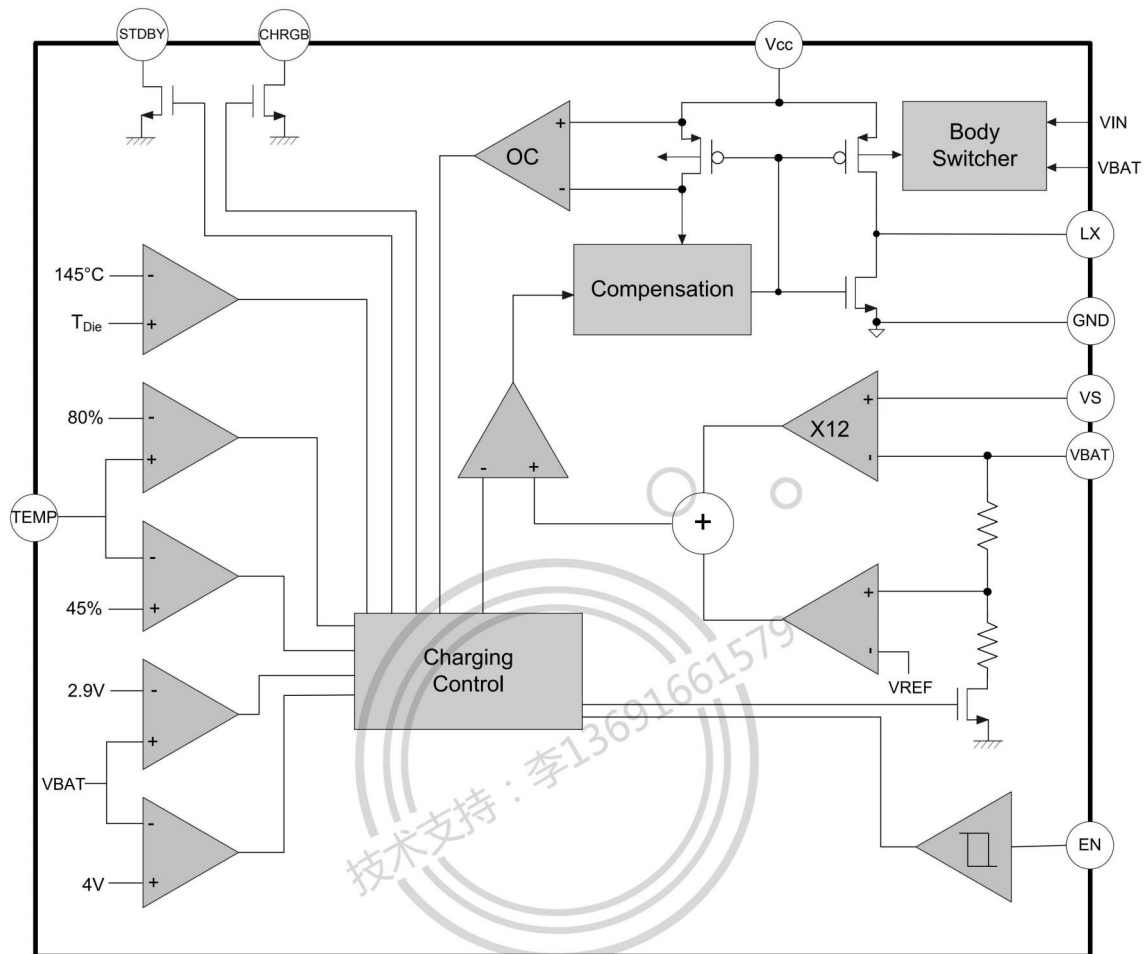
- Portable Information Appliances
- Charging Docks & Cradles
- Cellular Phones & PDAs

### Typical Application Circuit



This datasheet contains new product information. Advanced Analog Technology reserves the rights to modify the product specification without notice. No liability is assumed as a result of the use of this product. No rights under any patent accompany the sales of the product.

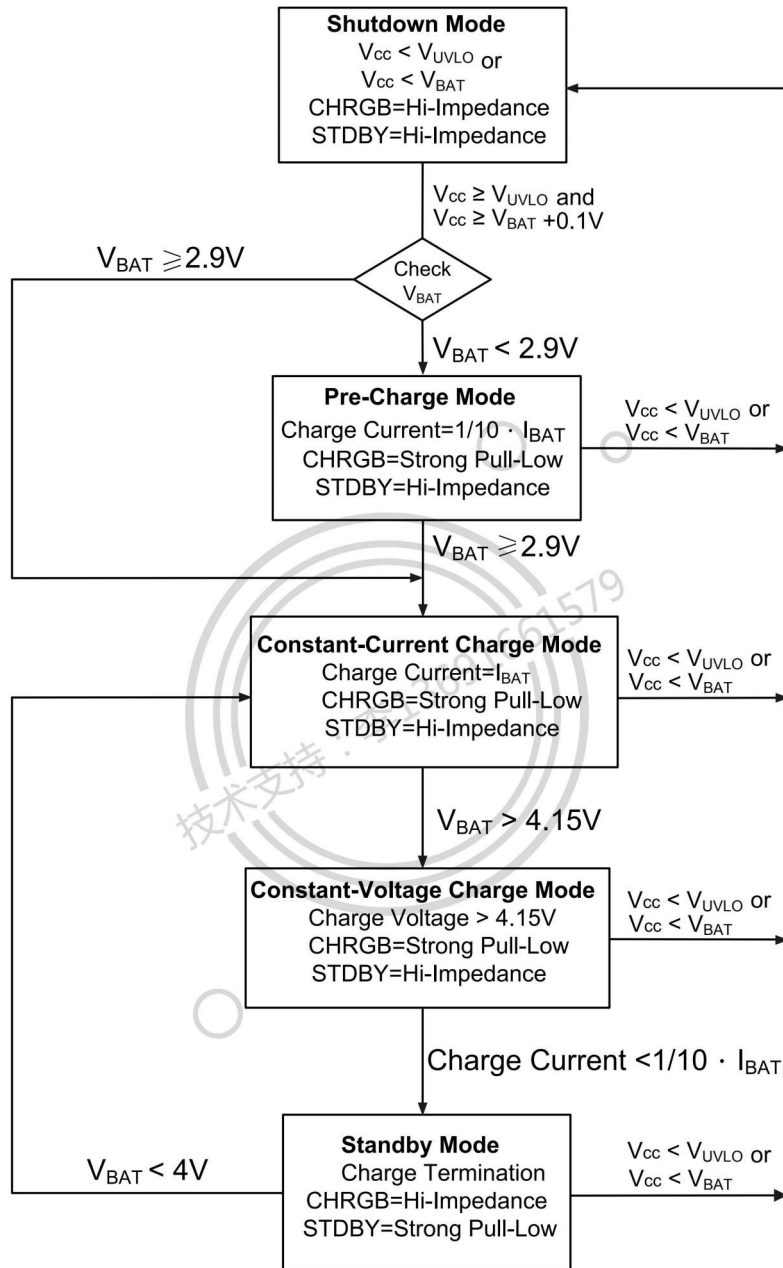
## Function Block Diagram



## Charge Status Indicators

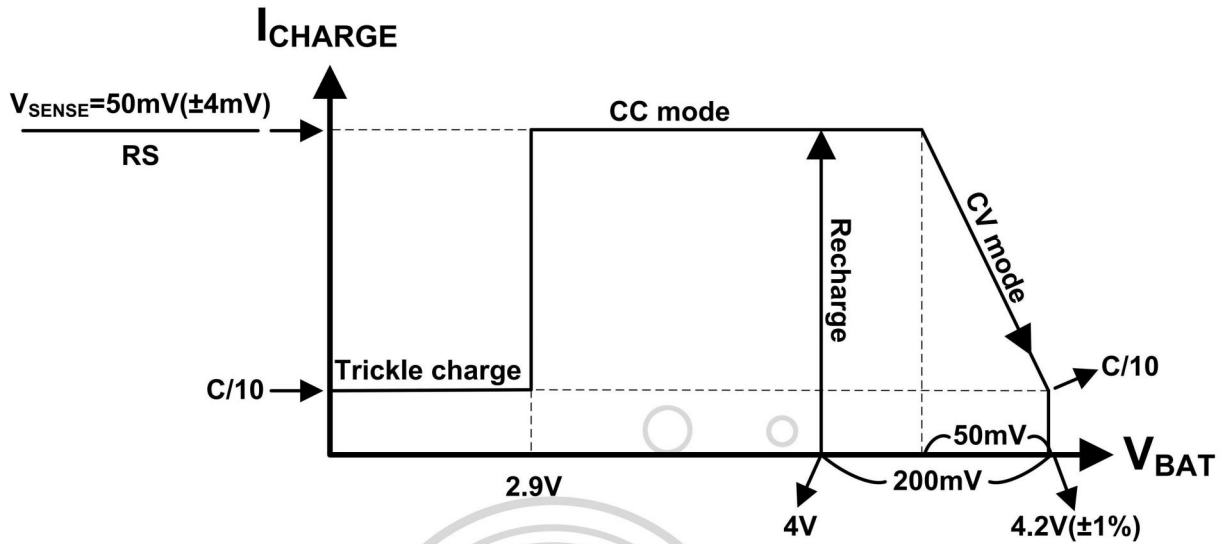
Charge Status	CHRGB (Red)	STDBY (Green)
In Charging	ON	OFF
Charge Termination	OFF	ON
UVLO, OverT, UnderT, NoBat(with TEMP used)	OFF	OFF

### State Diagram

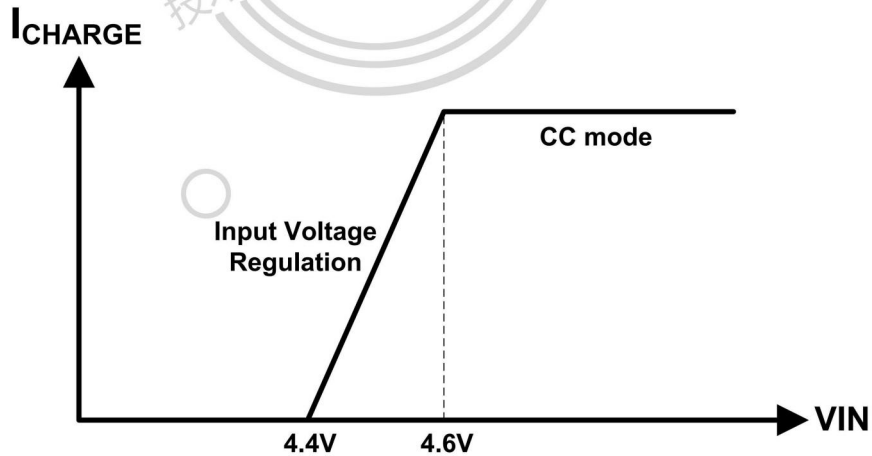


This datasheet contains new product information. Advanced Analog Technology reserves the rights to modify the product specification without notice. No liability is assumed as a result of the use of this product. No rights under any patent accompany the sales of the product.

**Typical Charging Profile**



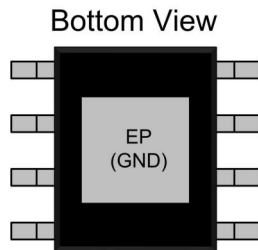
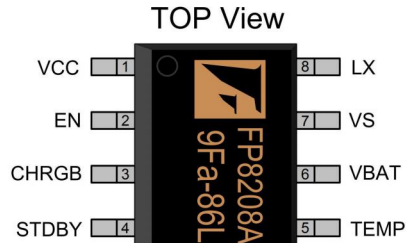
**Input Voltage Regulation Descriptions**



This datasheet contains new product information. Advanced Analog Technology reserves the rights to modify the product specification without notice. No liability is assumed as a result of the use of this product. No rights under any patent accompany the sales of the product.

## Pin Descriptions

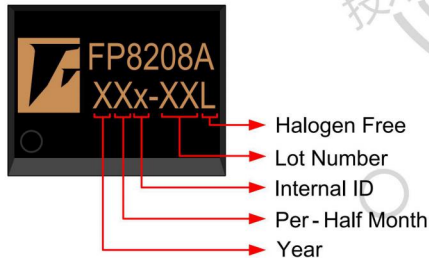
### SOP-8L (EP)



Name	No.	I / O	Description
VCC	1	P	Supply Voltage
EN	2	I	Enable Control
CHRGB	3	O	Charge State Indicator1
STDBY	4	O	Charge State Indicator2
TEMP	5	I	Battery Temperature Detector
VBAT	6	P	Battery Voltage
VS	7	I	Charge current-sense input
LX	8	I	Switch node and inductor connection pin
EP	9	P	Exposed PAD-Must connect to Ground

## Marking Information

### SOP-8L (EP)



**Halogen Free:** Halogen free product indicator

**Lot Number:** Wafer lot number's last two digits

For Example → Lot : 123456 → XXx-56L

**Internal ID:** Internal Identification Code

**Per-Half Month:** Production period indicator in half month time unit

For Example : A → First Half Month of January  
 B → Second Half Month of January  
 C → First Half Month of February  
 D → Second Half Month of February

**Year:** Production year's last digit

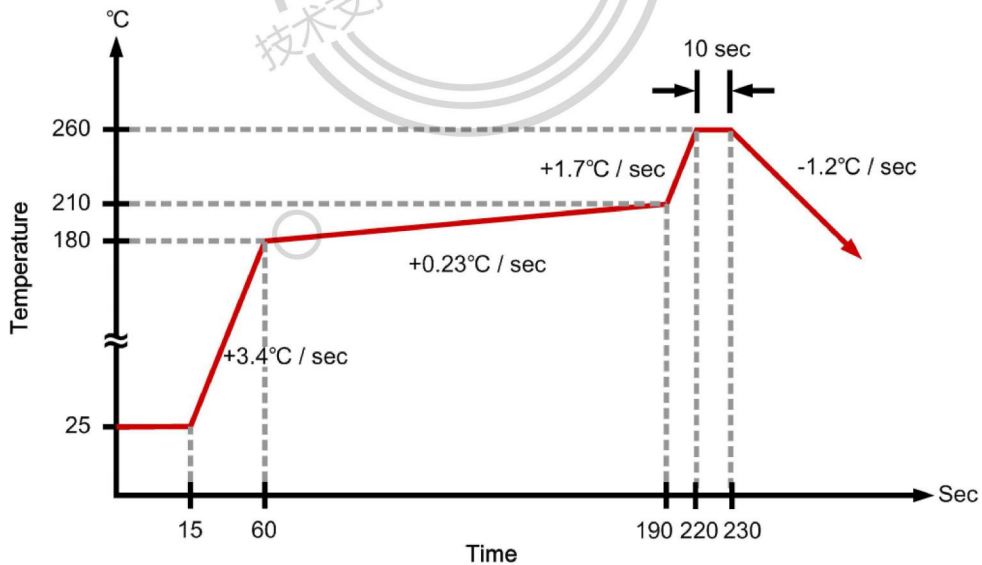
## Ordering Information

Part Number	Operating Temperature	Package	MOQ	Description
FP8208AXR-G1	-25°C ~ +85°C	SOP-8L(EP)	2500EA	Tape & Reel

## Absolute Maximum Ratings

Parameter	Symbol	Conditions	Min.	Typ.	Max.	Unit
Supply Voltage	V <sub>CC</sub>		-0.3		6	V
LX to VCC Voltage	V <sub>DS</sub>				-7	V
LX Voltage	V <sub>LX</sub>		-0.3		7	V
All Other Pins			-0.3		6	V
BAT Current	I <sub>BAT</sub>				4.5	A
Junction Temperature	T <sub>J</sub>				+150	°C
Storage Temperature	T <sub>S</sub>		-65		+150	°C
Thermal Resistance (Junction to Ambient)	θ <sub>JA</sub>	SOP-8L			60	°C / W
Thermal Resistance (Junction to Case)	θ <sub>JC</sub>	SOP-8L			10	°C / W
Operating Temperature			-25		+85	°C
Lead Temperature (soldering, 10 sec)					+260	°C

## Suggested IR Re-flow Soldering Curve



This datasheet contains new product information. Advanced Analog Technology reserves the rights to modify the product specification without notice. No liability is assumed as a result of the use of this product. No rights under any patent accompany the sales of the product.

Rev. 0.61

## Recommended Operating Conditions

Parameter	Symbol	Conditions	Min.	Typ.	Max.	Unit
Supply Voltage	V <sub>CC</sub>		4.8		5.5	V
Operating Temperature		Ambient Temperature	-25		85	°C

## DC Electrical Characteristics (V<sub>CC</sub>=5V, T<sub>A</sub>= 25°C, unless otherwise noted)

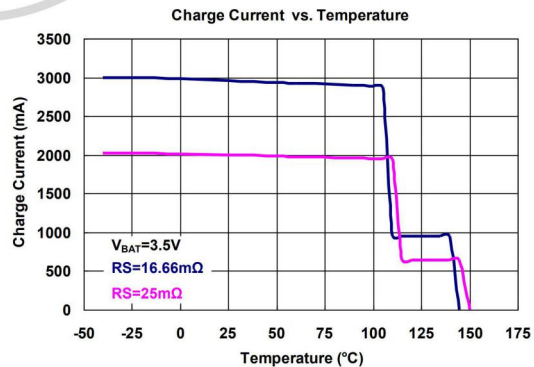
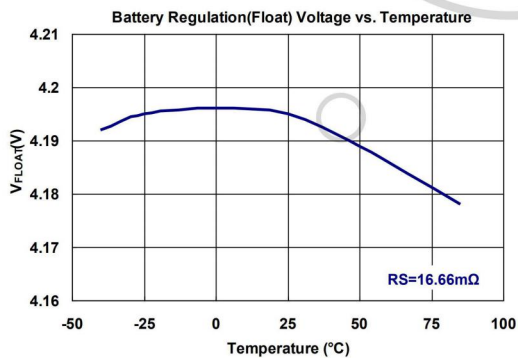
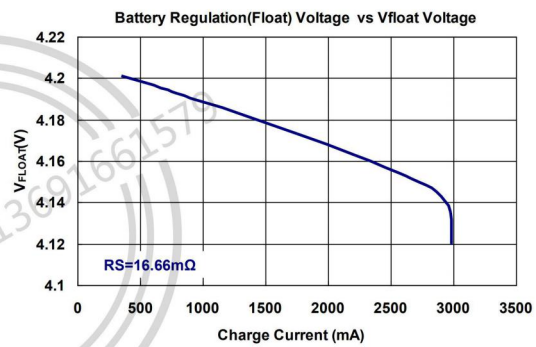
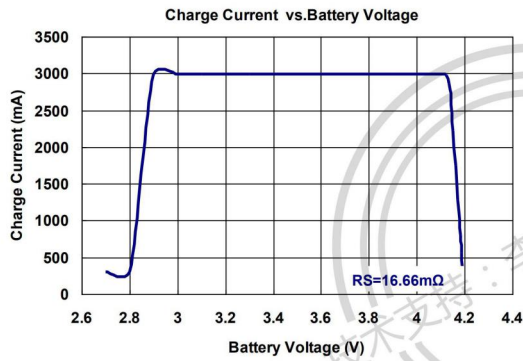
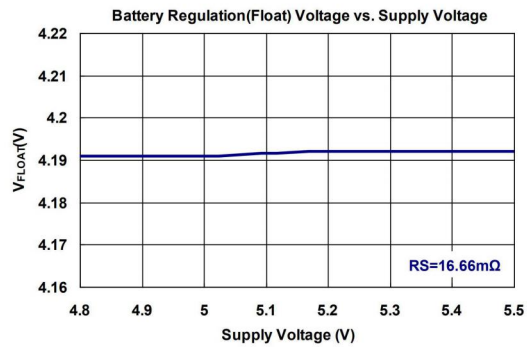
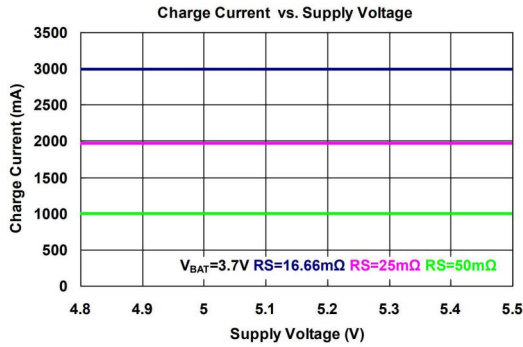
Parameter	Symbol	Test Conditions	Min.	Typ.	Max.	Unit
Standby Current	I <sub>SB</sub>	Charge Termination		300	500	μA
Shutdown Supply Current	I <sub>ST</sub>	V <sub>CC</sub> < V <sub>BAT</sub> , V <sub>EN</sub> = 0V			200	μA
CV Output (Float) Voltage	V <sub>FLOAT</sub>	0°C < T <sub>A</sub> < 85°C	4.158	4.200	4.242	V
BAT pin Current	I <sub>BAT</sub>	Standby-Mode, V <sub>BAT</sub> =4.2V		5	10	μA
		Shutdown-Mode,		5	10	μA
		Sleep-Mode, V <sub>CC</sub> =0V		1	10	μA
Current Sense Reference Voltage	V <sub>SENSE</sub>		46	50	54	mV
Trickle Charge Current	I <sub>TRIKL</sub>	V <sub>BAT</sub> < V <sub>TRIKL</sub> , R <sub>Sense</sub> = 16.66mΩ		300		mA
Trickle Charge Threshold Voltage	V <sub>TRIKL</sub>	R <sub>Sense</sub> = 16.66mΩ, V <sub>BAT</sub> Rising	2.8	2.9	3.0	V
Trickle Charge Hysteresis Voltage	V <sub>TRKHYS</sub>	R <sub>Sense</sub> = 16.66mΩ		200		mV
V <sub>CC</sub> Under Voltage Lockout Threshold	V <sub>UV</sub>	V <sub>CC</sub> Rising	4.32	4.5	4.68	V
V <sub>CC</sub> Under Voltage Lockout Threshold Hysteresis	V <sub>UVHYS</sub>			200		mV
V <sub>CC</sub> -V <sub>BAT</sub> Lockout Threshold	V <sub>ASD</sub>	V <sub>CC</sub> Rising		100		mV
		V <sub>CC</sub> Falling		10		mV
PMOSFET On Resistance	R <sub>ON(PMOS)</sub>			50		mΩ
NMOSFET On Resistance	R <sub>ON(NMOS)</sub>			50		mΩ
C/10 Termination Current Threshold	I <sub>TERM</sub>	R <sub>Sense</sub> = 16.66mΩ		300		mA
		R <sub>Sense</sub> = 50mΩ		100		mA
Switching Frequency	F <sub>SW</sub>		580	720	860	KHz
Max. Duty	D <sub>MAX</sub>			98		%
Min. Duty	D <sub>MIN</sub>		10			%
CHRGB pin Output Low Voltage	V <sub>CHRGB</sub>	I <sub>CHRGB</sub> = 5mA		0.3	0.6	V
STDBYB pin Output Low Voltage	V <sub>STDBY</sub>	I <sub>STDBY</sub> = 5mA		0.3	0.6	V
Battery Recharge Threshold Voltage	V <sub>RECHRG</sub>	V <sub>FLOAT</sub> - V <sub>RECHRG</sub>		200		mV
Thermal Shutdown	T <sub>LIM</sub>			150		°C
TEMP pin High Threshold Voltage	V <sub>TEMP-H</sub>		76	80	83	%
TEMP pin Low Threshold Voltage	V <sub>TEMP-L</sub>		42	45	48	%
EN Input High Voltage	V <sub>EN-H</sub>		2.5			V
EN Input Low Voltage	V <sub>EN-L</sub>				0.5	V

This datasheet contains new product information. Advanced Analog Technology reserves the rights to modify the product specification without notice. No liability is assumed as a result of the use of this product. No rights under any patent accompany the sales of the product.

Rev. 0.61

## Typical Operating Characteristics

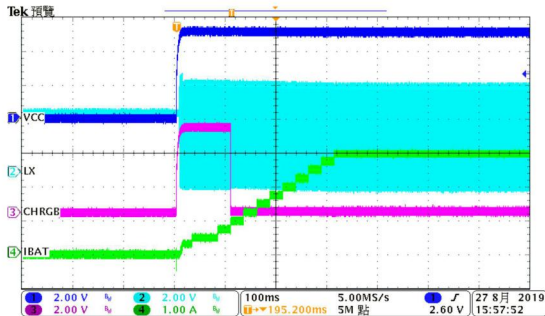
( $V_{IN}=5V$ ,  $V_{BAT}=3.7V$   $T_A=25^\circ C$ , unless otherwise noted)



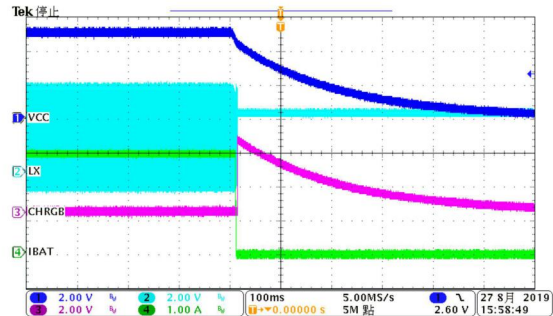
This datasheet contains new product information. Advanced Analog Technology reserves the rights to modify the product specification without notice. No liability is assumed as a result of the use of this product. No rights under any patent accompany the sales of the product.



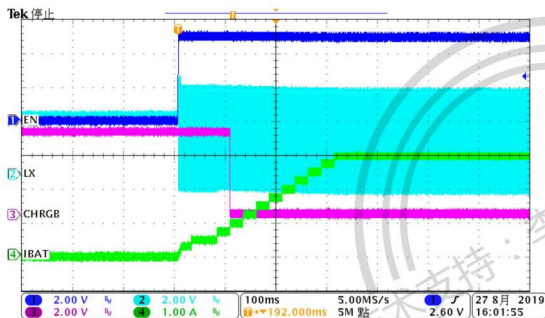
Power ON Test  
( $V_{IN}=5V$ ,  $V_{BAT}=3.5V$ ,  $I_{BAT}=3A$ )



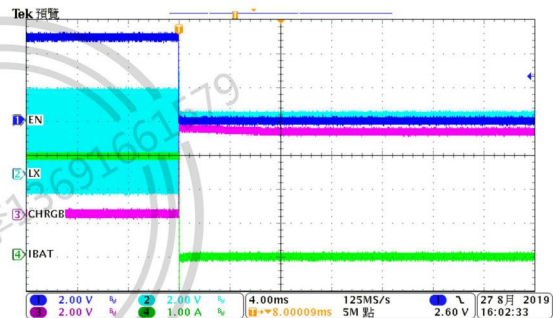
Power OFF Test  
( $V_{IN}=5V$ ,  $V_{BAT}=3.5V$ ,  $I_{BAT}=3A$ )



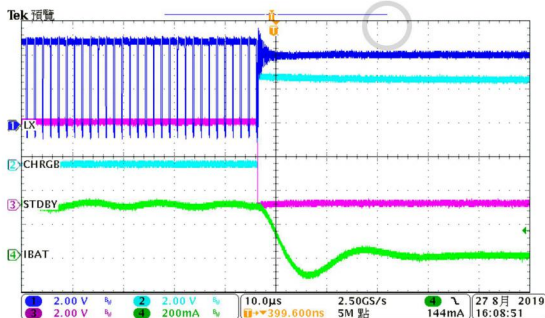
EN ON Test  
( $V_{IN}=5V$ ,  $V_{BAT}=3.5V$ ,  $I_{BAT}=3A$ )



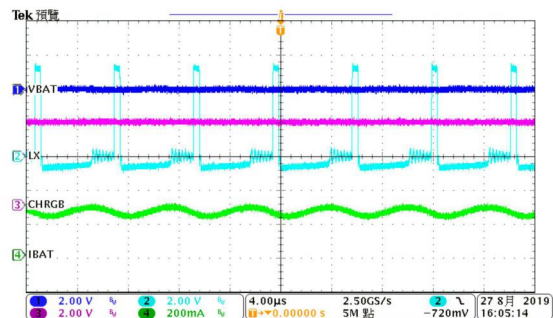
EN OFF Test  
( $V_{IN}=5V$ ,  $V_{BAT}=3.5V$ ,  $I_{BAT}=3A$ )



The Charge Cycle End  
( $V_{IN}=5V$ ,  $I_{BAT}=3A$ )



Battery Short  
( $V_{IN}=5V$ ,  $I_{BAT}=3A$ )



This datasheet contains new product information. Advanced Analog Technology reserves the rights to modify the product specification without notice. No liability is assumed as a result of the use of this product. No rights under any patent accompany the sales of the product.

## Function Description

### Operation

The FP8208A is a switch-mode battery charger designed primarily for charging single cell lithium-ion batteries. The charger uses a constant-current/constant-voltage charge algorithm with programmable current. Charging current can be programmed externally with a single current sensing resistor between the VS pin and the BAT pin. The final battery float voltage is internally set to 4.2V.

### Normal Charge Cycle

A charge cycle begins when the voltage at the VCC pin rises above the UVLO threshold. If the BAT pin voltage is smaller than 2.9V, the charger enters trickle charge mode. In this mode, the FP8208A supplies approximately 1/10 the programmed charging current to bring the battery voltage up to a safe level for full current charging. When the BAT pin voltage rises above 2.9V, the charger enters constant-current mode, where the full programmed charge current is supplied to the battery. When the BAT pin voltage approaches 4.15V, the FP8208A enters the constant-voltage mode and the charge current begins to decrease. When the charge current drops to 1/10 of the programmed value, the charge cycle ends.

### Charge Current Programming

When the battery voltage exceeds the trickle charge threshold, the charger goes into the full scale constant current charge mode. In constant current mode, the charge current is set by the external sense resistor  $R_S$  and an internal 50mV reference. The required resistor value can be calculated from the charge current with following equation:

$$R_S = \frac{50\text{mV}}{I_{\text{CHG}}}$$

### Charge Termination

A charge cycle is terminated when the charge current falls to 1/10 the programmed value after the final float voltage is reached. This condition is detected by using an internal filtered comparator to monitor the sense voltage. When the voltage between the VS pin and the BAT pin falls below 10mV for longer than  $T_{\text{TERM}}$  (1.8ms), charging is terminated. The charge current is latched off and the FP8208A enters standby mode, where the input supply current drops to 300uA. The FP8208A draws no current from the battery in standby mode. This feature reduces the charge and discharge cycles on the battery, further prolonging the battery life.

## Thermal Protection

An internal thermal feedback loop reduces the setting charge current to 1/3, if the die temperature rises above a preset value of approximately 125°C. This feature protects the FP8208A from excessive temperature and allows the user to push the limits of the power handing capability of a given circuit board without risk of damaging the FP8208A. The charge current can be set according to typical ambient temperature with the assurance that the charge will automatically reduce the current in worst case condition.

The FP8208A will shutdown automatically when the internal junction temperature reaches 150°C to protect both the part and the system. The power MOSFET wake up when the junction temperature drops 50°C under the OTP threshold temperature.

## Battery Temperature Fault Monitoring

In the event of a battery over-temperature condition, the charging control will turn off the internal pass device and report a battery temperature fault on the TEMP pin. Inside the FP8208A, two internal voltage references  $V_{TEMP-H}$  and  $V_{TEMP-L}$  are fixed at 80%  $\times V_{CC}$  and 45%  $\times V_{CC}$  respectively. As the TEMP pin voltage rises above  $V_{TEMP-H}$  or falls below  $V_{TEMP-L}$ , the FP8208A stops charging and indicates a fault condition. After the system recovers from a temperature fault, the device will resume charging operation. For applications that do not need to monitor the battery temperature, short the TEMP pin to the GND.

The values of R4 and R5 are set according to the battery temperature range and the value of thermal sensitive resistor. If the battery is equipped with NTC (Negative Temperature Coefficient) thermistor and the temperature monitor range is  $T_L \sim T_H$  ( $T_L < T_H$ ), then  $R_T$ , the thermistor resistance, decreases as temperature increases from  $T_L$  to  $T_H$ , means  $R_{TL} > R_{TH}$ .

The TEMP pin voltage can be calculated as:

$$V_{TEMP} = \frac{R5 // R_T}{R4 + R5 // R_T} \times V_{CC}$$

Thus, this  $V_{TEMP}$  decreases as the temperature increase from  $T_L$  to  $T_H$ .

To set proper R4 and R5 value for temperature protection, we set:

$$0.8 \times V_{CC} = V_{TEMPH} = \frac{R5 // R_{TL}}{R4 + R5 // R_{TL}} \times V_{CC} \quad \text{at } T_L$$

$$0.45 \times V_{CC} = V_{TEMPL} = \frac{R5 // R_{TH}}{R4 + R5 // R_{TH}} \times V_{CC} \quad \text{at } T_H$$

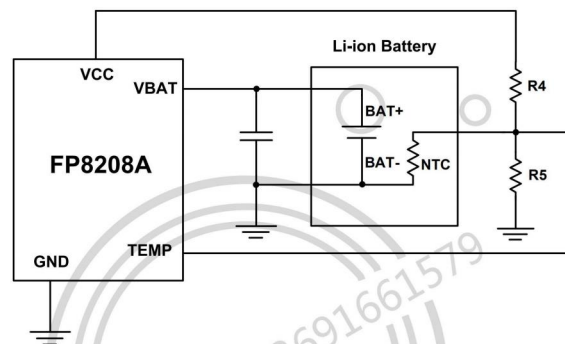
Where  $R_{TL}$  and  $R_{TH}$  are the thermistor resistances at  $T_L$  and  $T_H$  respectively.

So  $R_4$  and  $R_5$  can be derived as following:

$$R_4 = \frac{R_{TL}R_{TH}(K_2 - K_1)}{(R_{TL} - R_{TH})K_1K_2} = \frac{R_{TL}R_{TH} \times 35}{(R_{TL} - R_{TH}) \times 36}$$

$$R_5 = \frac{R_{TL}R_{TH}(K_2 - K_1)}{R_{TL}(K_1 - K_1K_2) - R_{TH}(K_2 - K_1K_2)} = \frac{R_{TL}R_{TH} \times 35}{R_{TL} \times 9 - R_{TH} \times 44}$$

where  $K_1=0.45$  and  $K_2=0.8$



### Under Voltage Lockout (UVLO)

An internal under voltage lockout circuit monitors the input voltage and keeps the charger in shutdown mode until  $V_{cc}$  rises above the under voltage lockout threshold. The UVLO circuit has a built-in hysteresis of 200mV. Furthermore, to protect against reverse current in the power MOSFET, the UVLO circuit keeps the charge in shutdown mode if  $V_{cc}$  falls to within 10mV of the battery voltage. If the UVLO comparator is tripped, the charger will not come out of shutdown mode until  $V_{cc}$  raises 100mV above the battery voltage.

### Short Circuit Protection (SCP)

When Battery voltage is lower than the short circuit protection threshold, the Hiccup mode is active and average current is around 50mA to assure opening the battery protective plate. Normal operation mode recovers after fault condition is removed.

### Manual shutdown

At any point in the charge cycle, the FP8208A can be put into shutdown mode when put the EN pin to the low-level voltage. This reduces the battery drain current to about 10uA and the supply current to less than 200uA.

### Automatic Recharge

Once the charge cycle is terminated, the FP8208A continuously monitors the voltage on the BAT pin using a comparator with a 1.8ms filter time ( $T_{RECHARGE}$ ). A charge cycle restarts when the battery voltage falls below 4V (which corresponds to approximately 80% to 90% battery capacity). This ensures that the battery is kept at or near a fully charged condition and eliminated the need for periodic charge cycle initiations. CHRGB pin output enters a strong pull-down state during recharge cycles.



## Application Information

### Inductor Selection

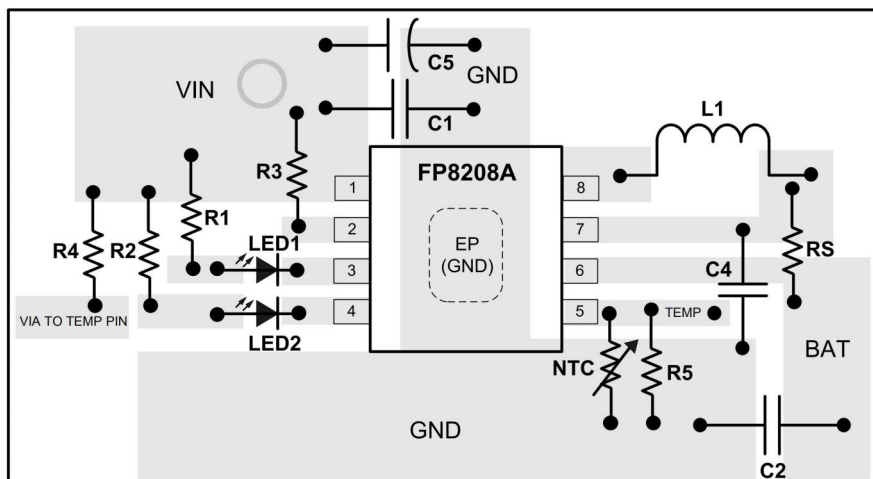
Inductance value is decided based on different condition. 3.3uH to 4.7μH inductance value is recommended for general application circuit. There are three important inductor specifications, DC resistance, saturation current and core loss. Low DC resistance has better power efficiency.

### Capacitor Selection

Use Low ESR capacitors are preferred to reduce the input inrush voltage, Ceramic capacitor of X5R and X7R are recommended, which have low equivalent series resistance (ESR) and wider operation temperature range.

### Layout Considerations

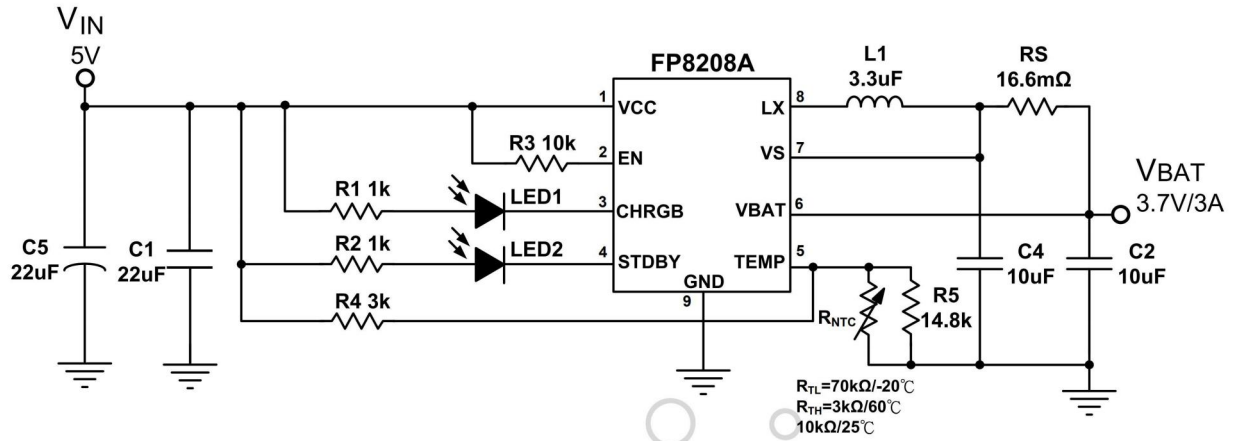
1. The power traces, consisting of the GND trace, the LX trace and the battery trace should be kept short, direct and wide.
2. Layout switching node LX, inductor and diode connection traces wide and short to reduce EMI.
3. Place  $C_{IN}$  nearby  $V_{CC}$  pin as closely as possible to maintain input voltage steady and filter out the pulsing input current.
4. The GND of the  $C_{IN}$  and  $C_{OUT}$  should be connected close together and directly to a ground plane.
5. Place  $R_S$  nearby BAT pin and VS pin.



FP8208A Suggested Layout

This datasheet contains new product information. Advanced Analog Technology reserves the rights to modify the product specification without notice. No liability is assumed as a result of the use of this product. No rights under any patent accompany the sales of the product.

## Typical Application

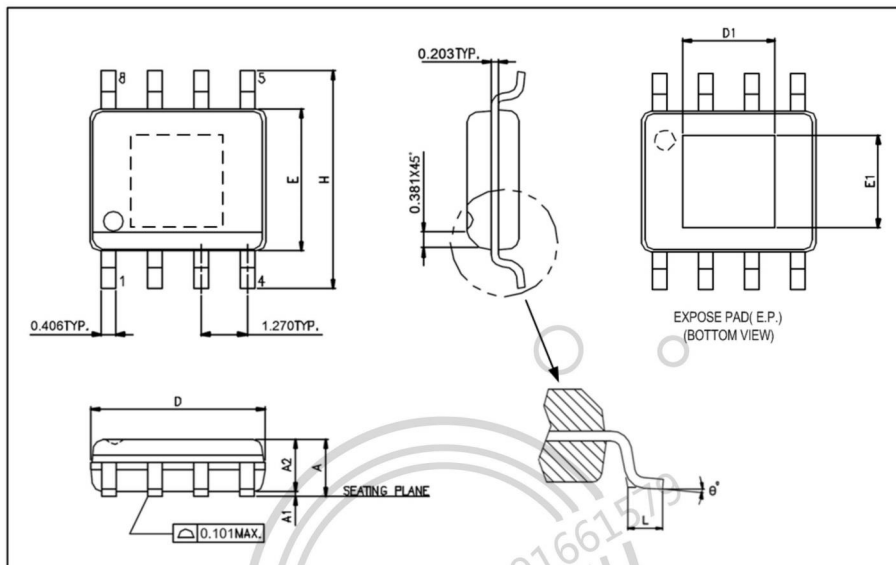


### Note:

1. Use ceramic capacitor of X5R or X7R for C1, C2 and C4.
2. Charge Current is recommended for 0.5A to 3.5A.

## Package Outline

### SOP-8L (EP)



Symbols	Min. (mm)	Max. (mm)
A	1.346	1.752
A1	0.050	0.152
A2		1.498
D	4.800	4.978
E	3.810	3.987
H	5.791	6.197
L	0.406	1.270
$\theta^\circ$	0°	8°

UNIT: mm

#### Exposed PAD Dimensions:

Symbols	Min. (mm)	Max. (mm)
E1	1.94	2.29
D1	1.94	2.29

#### Note:

1. Package dimensions are in compliance with JEDEC outline: MS-012 AA.
2. Dimension "D" does not include molding flash, protrusions or gate burrs.
3. Dimension "E" does not include inter-lead flash or protrusions.

This datasheet contains new product information. Advanced Analog Technology reserves the rights to modify the product specification without notice. No liability is assumed as a result of the use of this product. No rights under any patent accompany the sales of the product.

Rev. 0.61