

FPD87370AXA

Low EMI, Low Dynamic Power VGA/XGA/WXGA TFT-LCD Timing Controller with Reduced Swing Differential Signaling (RSDS™) Outputs

General Description

The FPD87370AXA is a timing controller that combines an LVDS single pixel input interface with National's Reduced Swing Differential Signaling (RSDS™) output driver interface for VGA, XGA and Wide XGA resolutions. It resides on the TFT-LCD panel and provides the data buffering and control signal generation for VGA, XGA, and Wide XGA graphic modes. The RSDS™ path to the column driver contributes toward lowering radiated EMI and reducing system dynamic power consumption.

This single RSDS™ bus conveys the 8-bit color data for VGA, XGA, and Wide XGA panels at 170 Mb/s when using VESA 60 Hz standard timing.

Features

- Reduced Swing Differential Signalling (RSDS™) digital bus reduces dynamic power, EMI and bus width from the timing controller
- LVDS single pixel input interface system
- Input clock range from 25 MHz to 85 MHz
- Drives RSDS™ Column Drivers at 170 Mb/s with an 85 MHz clock (Max.)
- Virtual 8 bit color depth in FRC/Dithering mode
- Single narrow 9-bit differential Source Driver bus minimizes width of Source PCB
- Ability to drive VGA, XGA and Wide XGA TFT-LCD Systems
- Failure detect function in DE mode (Bonding Option)
- CMOS circuitry operates from a 3.0V–3.6V supply

System Diagram

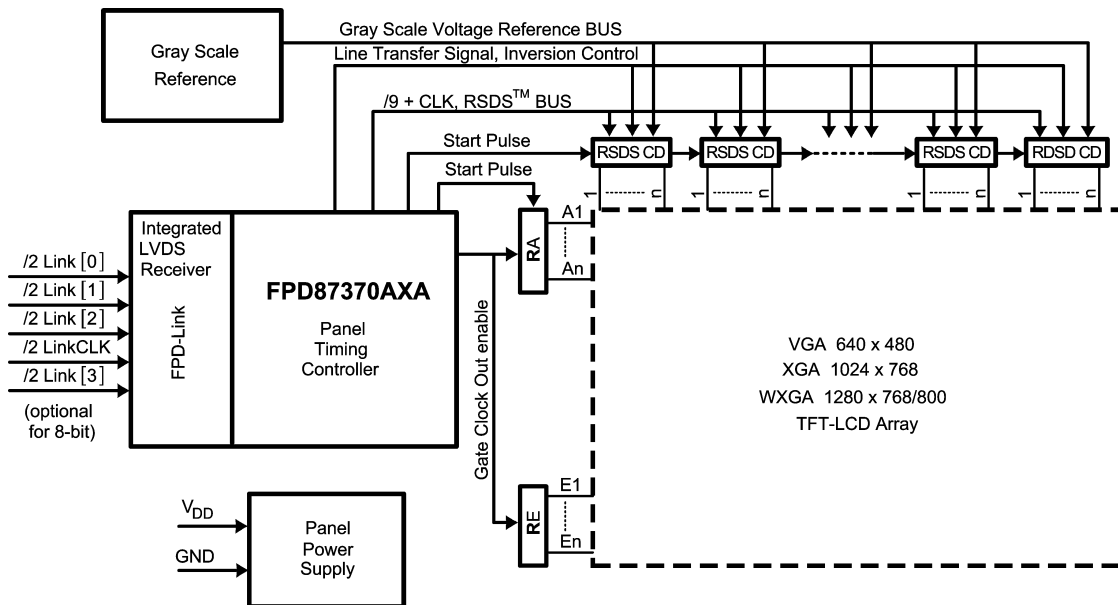
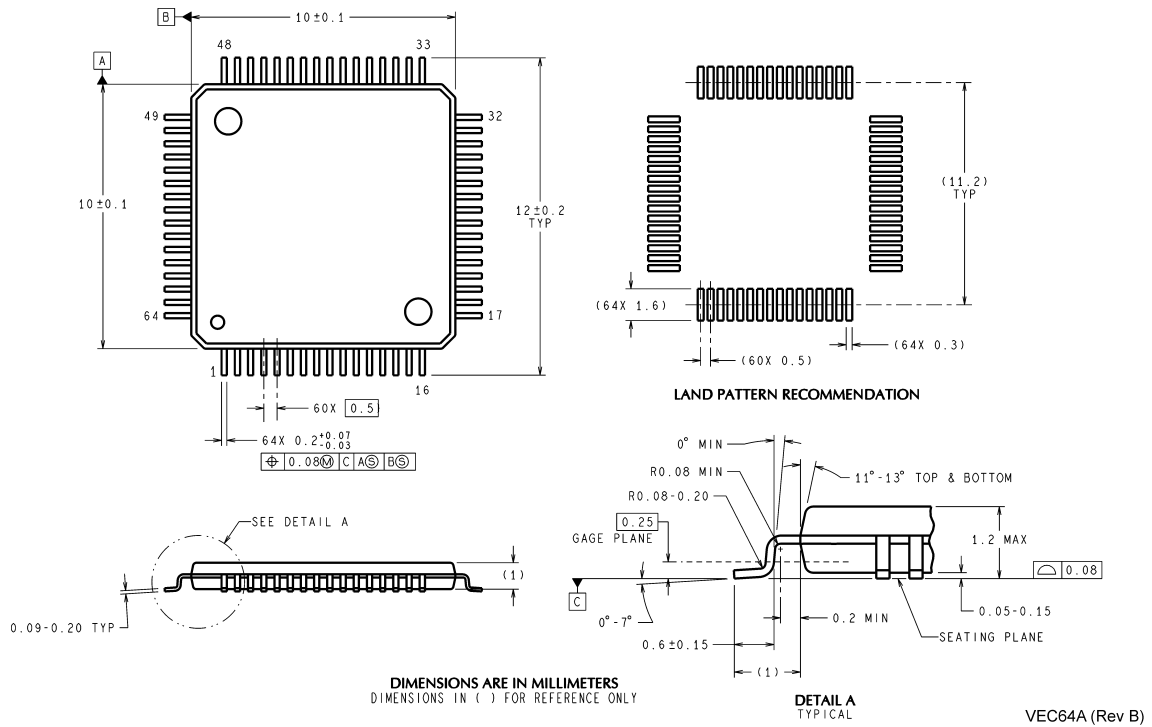


FIGURE 1. Block Diagram of the LCD Module

RSDS™ is a trademark of National Semiconductor Corporation

FPD87370AXA Low EMI, Low Dynamic Power VGA/XGA/WXGA TFT-LCD Timing Controller with Reduced Swing Differential Signaling (RSDS™) Outputs

Physical Dimensions inches (millimeters) unless otherwise noted



64-pin TQFP Package
Order Number FPD87370AXAVS
NS Package Number VEC-64A

National does not assume any responsibility for use of any circuitry described, no circuit patent licenses are implied and National reserves the right at any time without notice to change said circuitry and specifications.

For the most current product information visit us at www.national.com.

LIFE SUPPORT POLICY

NATIONAL'S PRODUCTS ARE NOT AUTHORIZED FOR USE AS CRITICAL COMPONENTS IN LIFE SUPPORT DEVICES OR SYSTEMS WITHOUT THE EXPRESS WRITTEN APPROVAL OF THE PRESIDENT AND GENERAL COUNSEL OF NATIONAL SEMICONDUCTOR CORPORATION. As used herein:

1. Life support devices or systems are devices or systems which, (a) are intended for surgical implant into the body, or (b) support or sustain life, and whose failure to perform when properly used in accordance with instructions for use provided in the labeling, can be reasonably expected to result in a significant injury to the user.
2. A critical component is any component of a life support device or system whose failure to perform can be reasonably expected to cause the failure of the life support device or system, or to affect its safety or effectiveness.

BANNED SUBSTANCE COMPLIANCE

National Semiconductor certifies that the products and packing materials meet the provisions of the Customer Products Stewardship Specification (CSP-9-111C2) and the Banned Substances and Materials of Interest Specification (CSP-9-111S2) and contain no "Banned Substances" as defined in CSP-9-111S2.

National Semiconductor
Americas Customer Support Center
 Email: new.feedback@nsc.com
 Tel: 1-800-272-9959

National Semiconductor
Europe Customer Support Center
 Fax: +49 (0) 180-530 85 86
 Email: europe.support@nsc.com
 Deutsch Tel: +49 (0) 69 9508 6208
 English Tel: +44 (0) 870 24 0 2171
 Français Tel: +33 (0) 1 41 91 8790

National Semiconductor
Asia Pacific Customer Support Center
 Email: ap.support@nsc.com

National Semiconductor
Japan Customer Support Center
 Fax: 81-3-5639-7507
 Email: jpn.feedback@nsc.com
 Tel: 81-3-5639-7560