



January, 2006

FPDB30PH60

FPDB30PH60

Smart Power Module for Front-End Rectifier

General Description

FPDB30PH60 is an advanced smart power module of PFC(Power Factor Correction) that Fairchild has newly developed and designed mainly targeting mid-power application especially for an air conditioners. It combines optimized circuit protection and drive IC matched to high frequency switching IGBTs. System reliability is further enhanced by the integrated under-voltage lock-out and over-current protection function.

Features

- Low thermal resistance due to Al_2O_3 -DBC substrate
- 600V-30A 2-phase IGBT PWM semi-converter including a drive IC for gate driving and protection
- Typical switching frequency of 20kHz
- Isolation rating of 2500Vrms/min.

Applications

- AC 180V ~ 264V single-phase front-end rectifier

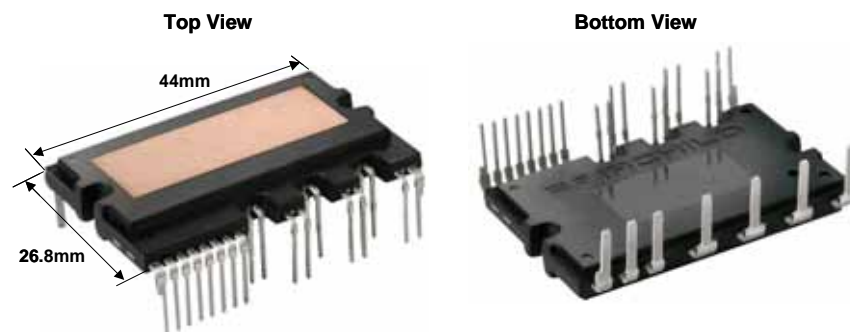


Fig. 1.

Integrated Power Functions

- PFC converter for single-phase AC/DC power conversion (Please refer to Fig. 3)

Integrated Drive, Protection and System Control Functions

- For IGBTs: Gate drive circuit, Overcurrent circuit protection (OC), Control supply circuit under-voltage (UV) protection
- Fault signaling: Corresponding to a UV fault
- Input interface: 5V CMOS/LSTTL compatible, Schmitt trigger input

Pin Configuration

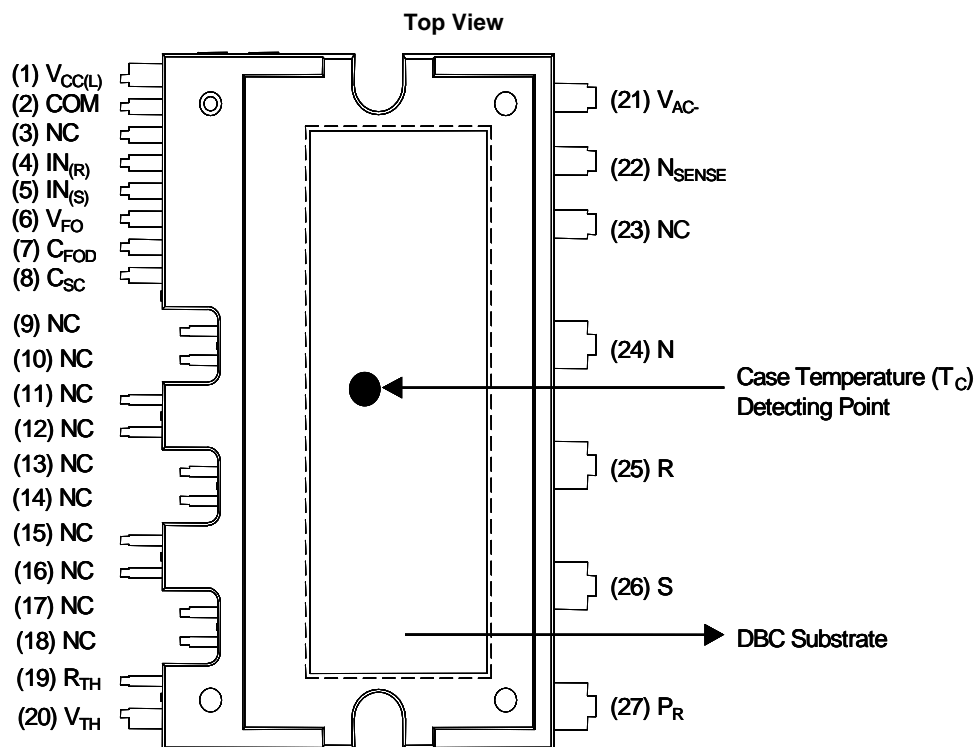
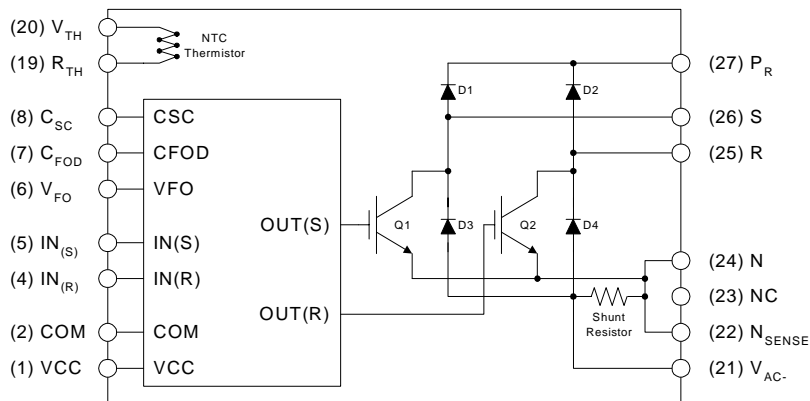


Fig. 2.

Pin Descriptions

| Pin Number | Pin Name | Pin Description |
|-------------|--------------------|--|
| 1 | V _{CC} | Common Bias Voltage for IC and IGBTs Driving |
| 2 | COM | Common Supply Ground |
| 4 | IN _(R) | Signal Input for Low-side R-phase IGBT |
| 5 | IN _(S) | Signal Input for Low-side S-phase IGBT |
| 6 | V _{FO} | Fault Output |
| 7 | C _{FOD} | Capacitor for Fault Output Duration Time Selection |
| 8 | C _{SC} | Capacitor (Low-pass Filter) for Over Current Detection |
| 19 | R _(TH) | NTC Thermistor terminal |
| 20 | V _(TH) | NTC Thermistor terminal |
| 21 | V _{AC-} | Current Sensing Terminal |
| 22 | N _{SENSE} | Current Sensing Reference Terminal |
| 24 | N | Negative Rail of DC-Link |
| 25 | R | Output for R Phase |
| 26 | S | Output for S Phase |
| 27 | P _R | Positive Rail of DC-Link |
| 3, 9-18, 23 | NC | No Connection |

Internal Equivalent Circuit and Input/Output Pins



Note :

- 1) Converter is composed of two IGBTs including four diodes and one IC which has gate driving and protection functions.

Fig. 3.

Absolute Maximum Ratings ($T_J = 25^\circ\text{C}$, Unless Otherwise Specified)**Converter Part**

| Item | Symbol | Condition | Rating | Unit |
|--------------------------------|-----------------|--|-----------|------------------|
| Supply Voltage | V_i | Applied between R-S | 264 | V_{RMS} |
| Supply Voltage (Surge) | $V_{i(Surge)}$ | Applied between R-S | 500 | V |
| Output Voltage | V_{PN} | Applied between P- N | 450 | V |
| Output Voltage (Surge) | $V_{PN(Surge)}$ | Applied between P- N | 500 | V |
| Collector-emitter Voltage | V_{CES} | | 600 | V |
| Input Current (100% Load) | I_i | $T_C < 95^\circ\text{C}$, $V_i=220\text{V}$, $V_{PN}= 390\text{V}$, $V_{PWM}=20\text{kHz}$ | 20 | A |
| Input Current (125% Load) | $I_{i(125\%)}$ | $T_C < 95^\circ\text{C}$, $V_i=220\text{V}$, $V_{PN}= 390\text{V}$, $V_{PWM}=20\text{kHz}$, 1min Non-repetitive | 25 | A |
| Collector Dissipation | P_C | $T_C = 25^\circ\text{C}$ per One IGBT | 83 | W |
| Power Rating of Shunt Resistor | P_{RSH} | $T_C < 125^\circ\text{C}$ | 2 | W |
| Operating Junction Temperature | T_J | (Note 1) | -20 ~ 125 | $^\circ\text{C}$ |

Note

1. The maximum junction temperature rating of the power chips integrated within the SPM is 150°C ($@T_C \leq 100^\circ\text{C}$). However, to insure safe operation of the SPM, the average junction temperature should be limited to $T_{J(ave)} \leq 125^\circ\text{C}$ ($@T_C \leq 100^\circ\text{C}$)

Control Part

| Item | Symbol | Condition | Rating | Unit |
|-------------------------------|----------|--------------------------------|--------------------|------|
| Control Supply Voltage | V_{CC} | Applied between V_{CC} - COM | 20 | V |
| Input Signal Voltage | V_{IN} | Applied between IN - COM | -0.3~5.5 | V |
| Fault Output Supply Voltage | V_{FO} | Applied between V_{FO} - COM | -0.3- $V_{CC}+0.3$ | V |
| Fault Output Current | I_{FO} | Sink Current at V_{FO} Pin | 5 | mA |
| Current Sensing Input Voltage | V_{SC} | Applied between C_{SC} - COM | -0.3- $V_{CC}+0.3$ | V |

Total System

| Item | Symbol | Condition | Rating | Unit |
|-----------------------------------|-----------|--|-----------|------------------|
| Module Case Operation Temperature | T_C | | -20 ~ 100 | $^\circ\text{C}$ |
| Storage Temperature | T_{STG} | | -40 ~ 125 | $^\circ\text{C}$ |
| Isolation Voltage | V_{ISO} | 60Hz, Sinusoidal, AC 1 minute, Connection Pins to DBC | 2500 | V_{rms} |

Thermal Resistance

| Item | Symbol | Condition | Min. | Typ. | Max. | Unit |
|---|---------------------|-----------------|------|------|------|--------------------|
| Junction to Case Thermal Resistance (Referenced to PKG center) | $R_{\theta(j-c)Q}$ | IGBT | - | - | 1.2 | $^\circ\text{C/W}$ |
| | $R_{\theta(j-c)HD}$ | High-side diode | - | - | 2.0 | $^\circ\text{C/W}$ |
| | $R_{\theta(j-c)LD}$ | Low-side diode | - | - | 1.4 | $^\circ\text{C/W}$ |

Note :

2. For the measurement point of case temperature(T_C), please refer to Fig. 2.

Electrical Characteristics ($T_J = 25^\circ\text{C}$, Unless Otherwise Specified)**Converter Part**

| Item | Symbol | Condition | Min. | Typ. | Max. | Unit |
|-------------------------------------|---------------|--|------|------|------|------------------|
| IGBT saturation voltage | $V_{CE(sat)}$ | $V_{CC} = 15\text{V}$, $V_{IN} = 5\text{V}$; $I_C = 30\text{A}$ | - | 2.4 | 3.1 | V |
| High-side diode voltage | V_{FH} | $I_F = 30\text{A}$ | - | 1.9 | 2.5 | V |
| Low-side diode voltage | V_{FL} | $I_F = 30\text{A}$ | - | 1.2 | 1.6 | V |
| Switching Times | t_{ON} | $V_{PN} = 400\text{V}$, $V_{CC} = 15\text{V}$, $I_C = 30\text{A}$ $V_{IN} = 0\text{V} \leftrightarrow 5\text{V}$, Inductive Load (Note 3) | - | 550 | - | ns |
| | $t_{C(ON)}$ | | - | 200 | - | ns |
| | t_{OFF} | | - | 430 | - | ns |
| | $t_{C(OFF)}$ | | - | 180 | - | ns |
| | t_{rr} | | - | 60 | - | ns |
| | I_{rr} | | - | 6 | - | A |
| Current sensing resistor | R_{SENSE} | | 1.8 | 2.0 | 2.2 | $\text{m}\Omega$ |
| Collector - emitter Leakage Current | I_{CES} | $V_{CE} = V_{CES}$ | - | - | 250 | μA |

Note

3. t_{ON} and t_{OFF} include the propagation delay time of the internal drive IC. $t_{C(ON)}$ and $t_{C(OFF)}$ are the switching time of IGBT itself under the given gate driving condition internally. For the detailed information, please see Fig. 4

Control Part

| Item | Symbol | Condition | Min. | Typ. | Max. | Unit |
|---|---------------|--|------|------|------|------------|
| Quiescent V_{CC} Supply Current | I_{QCCL} | $V_{CC} = 15\text{V}$, $I_N = 0\text{V}$ $V_{CC} - \text{COM}$ | - | - | 26 | mA |
| Fault Output Voltage | V_{FOH} | $V_{SC} = 0\text{V}$, V_{FO} Circuit: 4.7k Ω to 5V Pull-up | 4.5 | - | - | V |
| | V_{FOL} | $V_{SC} = 1\text{V}$, V_{FO} Circuit: 4.7k Ω to 5V Pull-up | - | - | 0.8 | V |
| Over Current Trip Level | $V_{SC(ref)}$ | $V_{CC} = 15\text{V}$ | 0.45 | 0.5 | 0.55 | V |
| Supply Circuit Under-Voltage Protection | UV_{CCD} | Detection Level | 10.7 | 11.9 | 13.0 | V |
| | UV_{CCR} | Reset Level | 11.2 | 12.4 | 13.2 | V |
| Fault-out Pulse Width | t_{FOD} | $C_{FOD} = 33\text{nF}$ (Note 4) | 1.4 | 1.8 | 2.0 | ms |
| ON Threshold Voltage | $V_{IN(ON)}$ | Applied between IN - COM | 3.0 | - | - | V |
| OFF Threshold Voltage | $V_{IN(OFF)}$ | | - | - | 0.8 | V |
| Resistance of Thermistor | R_{TH} | @ $T_C = 25^\circ\text{C}$ (Note Fig. 9) | - | 50 | - | k Ω |
| | | @ $T_C = 80^\circ\text{C}$ (Note Fig. 9) | - | 5.76 | - | k Ω |

Note

4. The fault-out pulse width t_{FOD} depends on the capacitance value of C_{FOD} according to the following approximate equation : $C_{FOD} = 18.3 \times 10^{-6} \times t_{FOD}[\text{F}]$

Electrical Characteristics

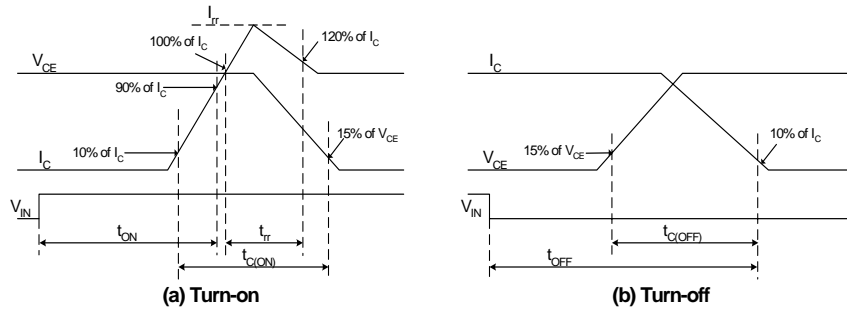


Fig. 4. Switching Time Definition

Mechanical Characteristics and Ratings

| Item | Condition | Limits | | | Units |
|-----------------|--|--------|-------|------|-------|
| | | Min. | Typ. | Max. | |
| Mounting Torque | Mounting Screw: - M3 Recommended 0.62N•m | 0.51 | 0.62 | 0.72 | N•m |
| Device Flatness | Note Fig. 5 | 0 | - | +120 | μm |
| Weight | | - | 15.00 | - | g |

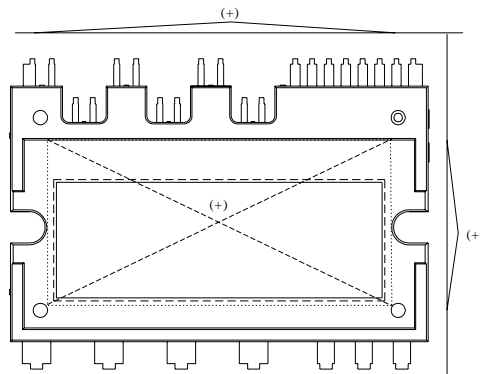
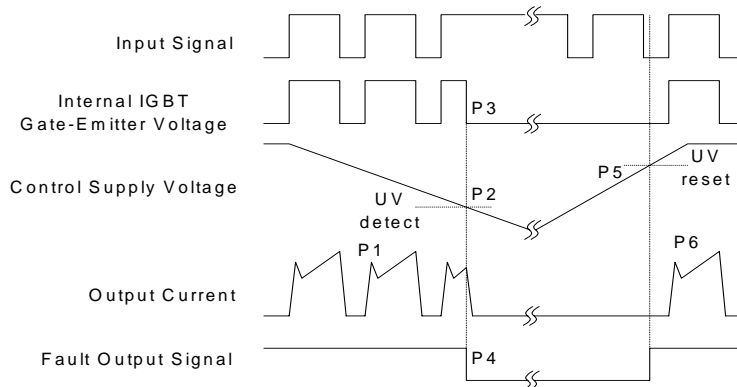


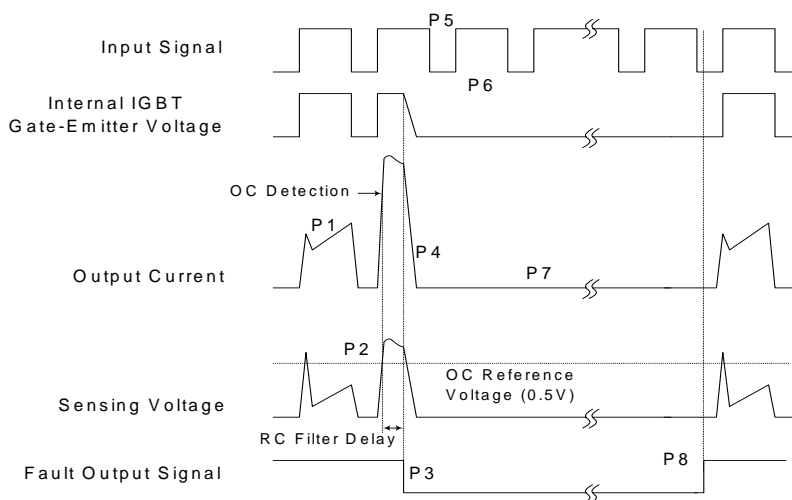
Fig. 5. Flatness Measurement Position

Time Charts of SPMs Protective Function



- P1 : Normal operation - IGBT ON and conducting current
- P2 : Under voltage detection
- P3 : IGBT gate interrupt
- P4 : Fault signal generation
- P5 : Under voltage reset
- P6 : Normal operation - IGBT ON and conducting current

Fig. 6. Under-Voltage Protection



- P1 : Normal operation - IGBT ON and conducting current
- P2 : Over current detection
- P3 : IGBT gate interrupt / Fault signal generation
- P4 : IGBT is slowly turned off
- P5 : IGBT OFF signal
- P6 : IGBT ON signal - but IGBT cannot be turned on during the fault Output activation
- P7 : IGBT OFF state
- P8 : Fault Output reset and normal operation start

Fig. 7. Over Current Protection

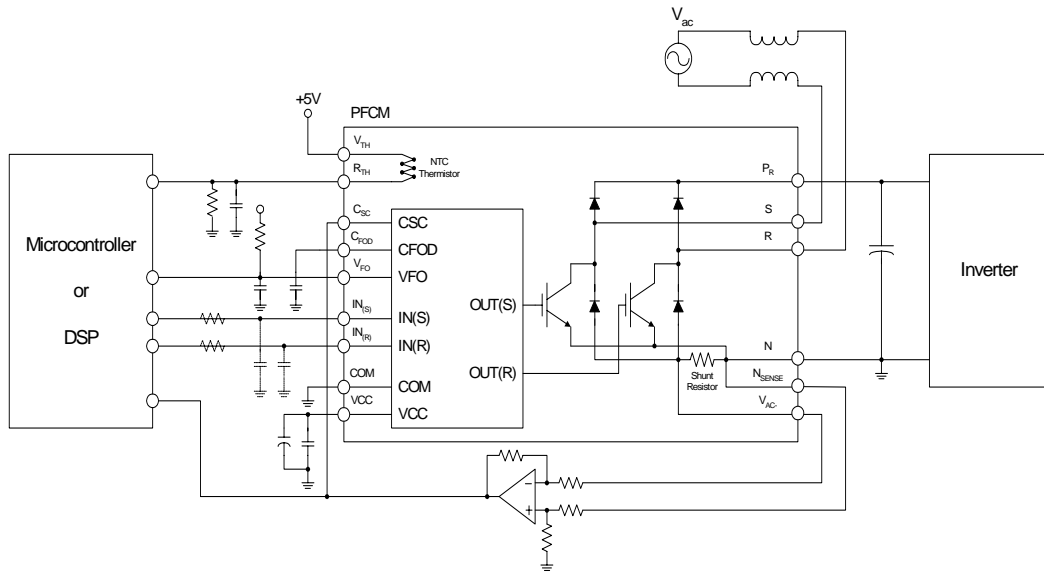


Fig. 8. Application Example

R-T Graph

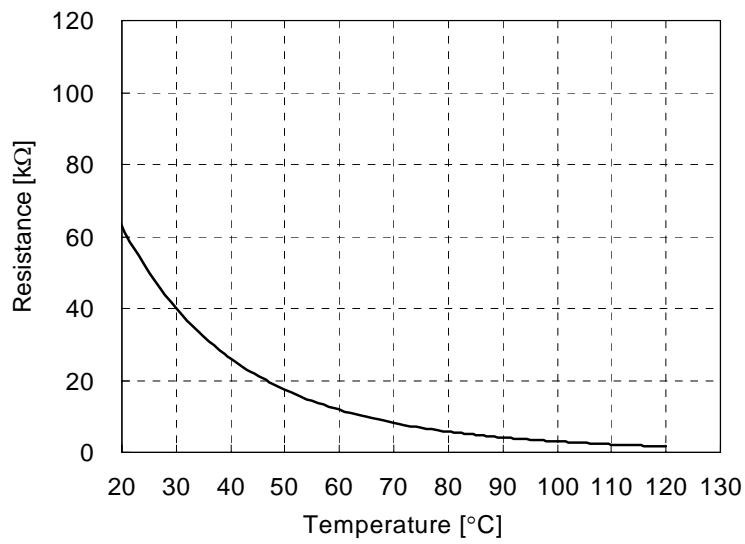
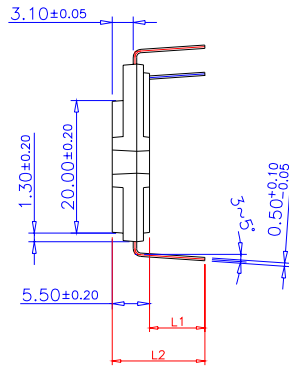
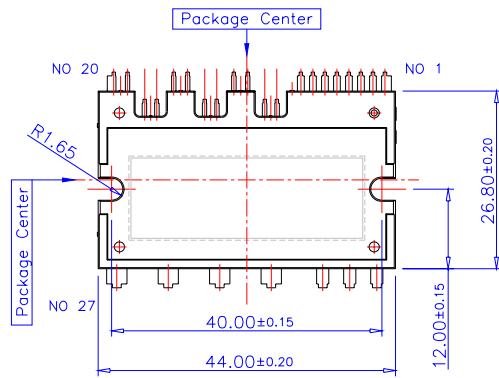
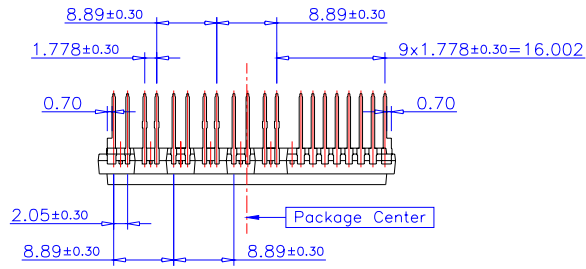


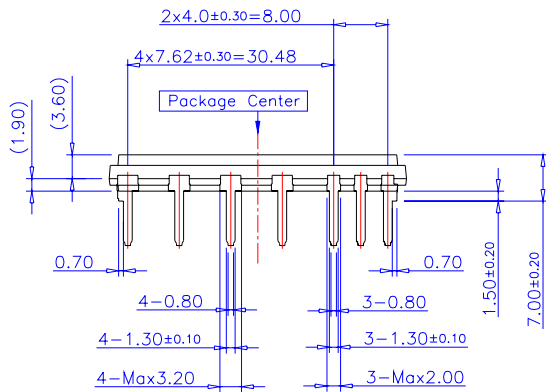
Fig. 9. R-T Curve of the Built-in Thermistor

Detailed Package Outline Drawings

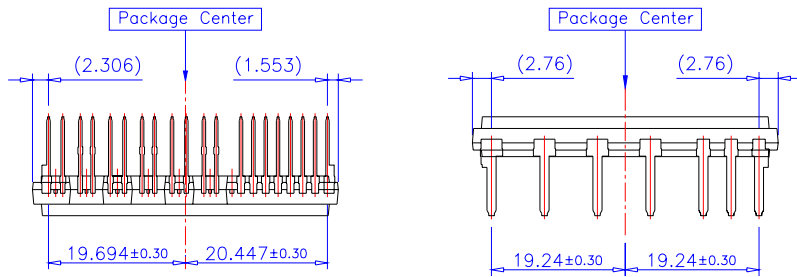
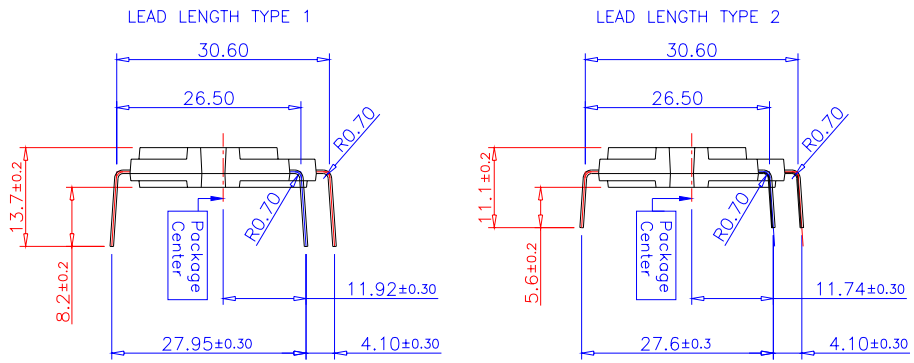


Lead Length Option

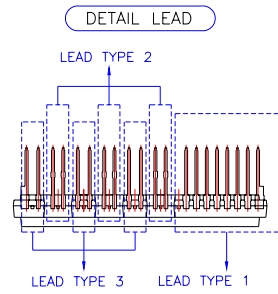
| | L1 | L2 |
|--------|-------------|------------|
| | Lead Length | PKG Height |
| Type 1 | 8.20±0.20 | 13.7±0.20 |
| Type 2 | 5.60±0.20 | 11.1±0.20 |



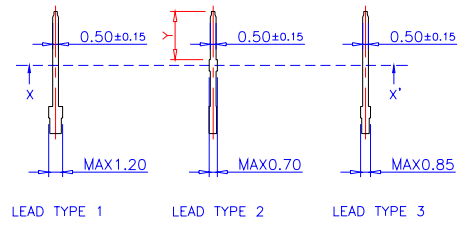
Detailed Package Outline Drawings



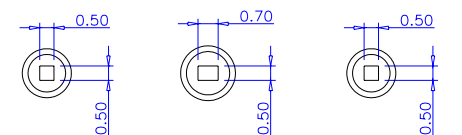
Detailed Package Outline Drawings



| | L1 Lead Length | Y Length |
|--------|-------------------|-------------|
| Type 1 | 8.20±0.20 | 4.20±0.20 |
| Type 2 | 5.60±0.20 | 1.60±0.20 |



SCALE 2 : 1



SCALE 5 : 1

LEAD SECTION X-X'

TRADEMARKS

The following are registered and unregistered trademarks Fairchild Semiconductor owns or is authorized to use and is not intended to be an exhaustive list of all such trademarks.

| | | | | |
|--------------------------------------|---------------------|---------------|---------------------|-----------------|
| ACEx™ | FAST® | ISOPLANAR™ | PowerSaver™ | SuperSOT™-6 |
| ActiveArray™ | FASTr™ | LittleFET™ | PowerTrench® | SuperSOT™-8 |
| Bottomless™ | FPST™ | MICROCOUPLER™ | QFET® | SyncFET™ |
| Build it Now™ | FRFET™ | MicroFET™ | QS™ | TCM™ |
| CoolFET™ | GlobalOptoisolator™ | MicroPak™ | QT Optoelectronics™ | TinyLogic® |
| CROSSVOLT™ | GTO™ | MICROWIRE™ | Quiet Series™ | TINYOPTO™ |
| DOMET™ | HiSeC™ | MSX™ | RapidConfigure™ | TruTranslation™ |
| EcoSPARK™ | I ² C™ | MSXPro™ | RapidConnect™ | UHC™ |
| E ² C MOS™ | i-Lo™ | OCX™ | μSerDes™ | UltraFET® |
| EnSigna™ | ImpliedDisconnect™ | OCXPro™ | ScalarPump™ | UniFET™ |
| FACT™ | IntelliMAX™ | OPTOLOGIC® | SILENT SWITCHER® | VCX™ |
| FACT Quiet Series™ | | OPTOPLANAR™ | SMART START™ | Wire™ |
| Across the board. Around the world.™ | | PACMAN™ | SPM™ | |
| The Power Franchise® | | POP™ | Stealth™ | |
| Programmable Active Droop™ | | Power247™ | SuperFET™ | |
| | | PowerEdge™ | SuperSOT™-3 | |

DISCLAIMER

FAIRCHILD SEMICONDUCTOR RESERVES THE RIGHT TO MAKE CHANGES WITHOUT FURTHER NOTICE TO ANY PRODUCTS HEREIN TO IMPROVE RELIABILITY, FUNCTION OR DESIGN. FAIRCHILD DOES NOT ASSUME ANY LIABILITY ARISING OUT OF THE APPLICATION OR USE OF ANY PRODUCT OR CIRCUIT DESCRIBED HEREIN; NEITHER DOES IT CONVEY ANY LICENSE UNDER ITS PATENT RIGHTS, NOR THE RIGHTS OF OTHERS.

LIFE SUPPORT POLICY

FAIRCHILD'S PRODUCTS ARE NOT AUTHORIZED FOR USE AS CRITICAL COMPONENTS IN LIFE SUPPORT DEVICES OR SYSTEMS WITHOUT THE EXPRESS WRITTEN APPROVAL OF FAIRCHILD SEMICONDUCTOR CORPORATION. As used herein:

1. Life support devices or systems are devices or systems which, (a) are intended for surgical implant into the body, or (b) support or sustain life, or (c) whose failure to perform when properly used in accordance with instructions for use provided in the labeling, can be reasonably expected to result in significant injury to the user.
2. A critical component is any component of a life support device or system whose failure to perform can be reasonably expected to cause the failure of the life support device or system, or to affect its safety or effectiveness.

PRODUCT STATUS DEFINITIONS

Definition of Terms

| Datasheet Identification | Product Status | Definition |
|--------------------------|------------------------|---|
| Advance Information | Formative or In Design | This datasheet contains the design specifications for product development. Specifications may change in any manner without notice. |
| Preliminary | First Production | This datasheet contains preliminary data, and supplementary data will be published at a later date. Fairchild Semiconductor reserves the right to make changes at any time without notice in order to improve design. |
| No Identification Needed | Full Production | This datasheet contains final specifications. Fairchild Semiconductor reserves the right to make changes at any time without notice in order to improve design. |
| Obsolete | Not In Production | This datasheet contains specifications on a product that has been discontinued by Fairchild semiconductor. The datasheet is printed for reference information only. |