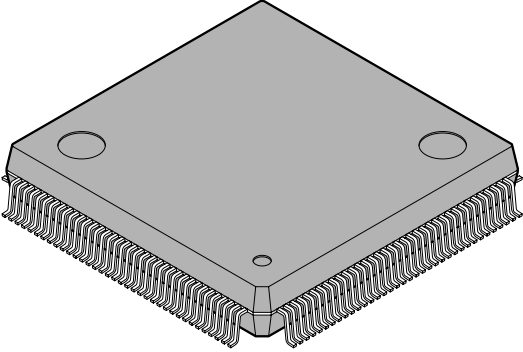


FPT-144P-M03

<p>144-pin plastic QFP</p>  <p>(FPT-144P-M03)</p>	Lead pitch	0.50 mm
	Package width × package length	20.0 × 20.0 mm
	Lead shape	Gullwing
	Sealing method	Plastic mold
	Mounting height	3.85 mm MAX
	Weight	2.60g
	Code (Reference)	P-FQFP144-20×20-0.50

