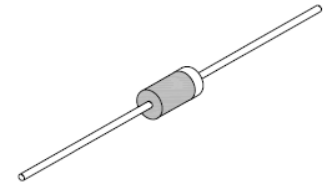


### 1.5A Fast Recovery Rectifier

#### Features

- Low forward voltage drop
- High current capability
- High reliability
- High surge current capability
- High temperature soldering guaranteed: 250°C/10 seconds  
.0375" (9.5mm) lead length, 5lbs (2.3kg) tension
- RoHS Compliance



DO-15



#### Mechanical Data

<b>Case:</b>	DO-15, molded plastic
<b>Epoxy:</b>	UL 94V-0 rate flame retardant
<b>Terminals:</b>	Axial leads, solderable per MIL-STD-202, Method 208 guaranteed
<b>Polarity:</b>	Color band denotes cathode end
<b>Weight:</b>	0.40 gram

#### Maximum Ratings and Electrical Characteristics ( $T_A=25^\circ\text{C}$ unless noted otherwise)

Symbol	Description	TF	TF	TF	TF	TF	TF	TF	Unit	Conditions	
		151	152	153	154	155	156	157			
		FR	FR	FR	FR	FR	FR	FR			
		151	152	153	154	155	156	157			
<b>V<sub>RRM</sub></b>	Maximum Repetitive Peak Reverse Voltage	50	100	200	400	600	800	1000	V		
<b>V<sub>RMS</sub></b>	Maximum RMS Voltage	35	70	140	280	420	560	700	V		
<b>V<sub>DC</sub></b>	Maximum DC Blocking Voltage	50	100	200	400	600	800	1000	V		
<b>I<sub>AV</sub></b>	Maximum Average Forward Rectified Current	1.5							A	Ta=55 °C	
<b>I<sub>FSM</sub></b>	Peak Forward Surge Current	60							A	8.3ms single half sine-wave superimposed on rated load (JEDEC Method)	

# 1.5A Fast Recovery Rectifier

## TF151 - TF157/FR151 - FR157

Symbol	Description	TF 151	TF 152	TF 153	TF 154	TF 155	TF 156	TF 157	Unit	Conditions
		FR 151	FR 152	FR 153	FR 154	FR 155	FR 156	FR 157		
<b>V<sub>F</sub></b>	Maximum Instantaneous Forward Voltage	1.3							V	I <sub>F</sub> =1.5 A
<b>I<sub>R</sub></b>	Maximum DC Reverse Current at Rated DC Blocking Voltage	5.0							μA	T <sub>A</sub> =25° C
		100								T <sub>A</sub> =100° C
<b>T<sub>rr</sub></b>	Typical Reverse Recovery Time	150			250	500		nS	I <sub>F</sub> =0.5A, I <sub>R</sub> =1A, I <sub>rr</sub> =0.25A	
<b>C<sub>J</sub></b>	Typical Junction Capacitance	30							pF	V <sub>R</sub> =4V, f=1MHz
<b>T<sub>J</sub></b>	Operating Temperature range	-55 to +125							° C	
<b>T<sub>STG</sub></b>	Storage Temperature Range	-55 to +150								

### Typical Characteristics Curves

Fig.1-Max. Forward Current Derating Curve

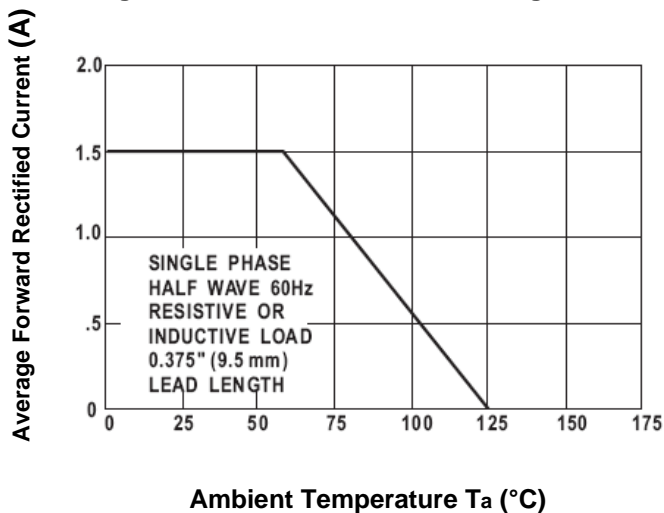
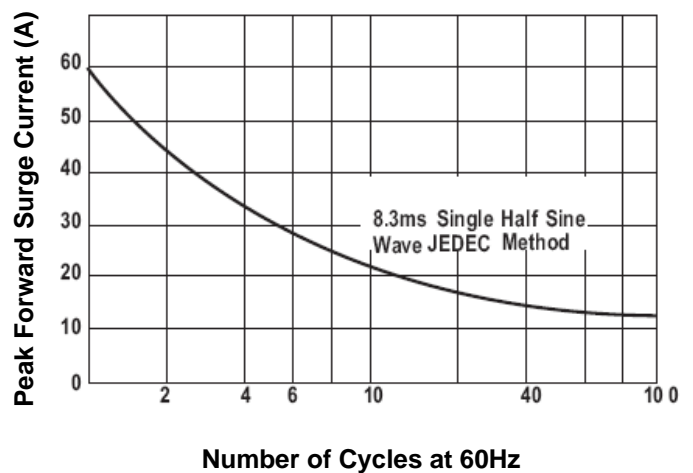


Fig.2-Max. Non-Repetitive Forward Surge Current



# 1.5A Fast Recovery Rectifier

## TF151 - TF157/FR151 - FR157

Fig.3- Typical Forward Characteristics

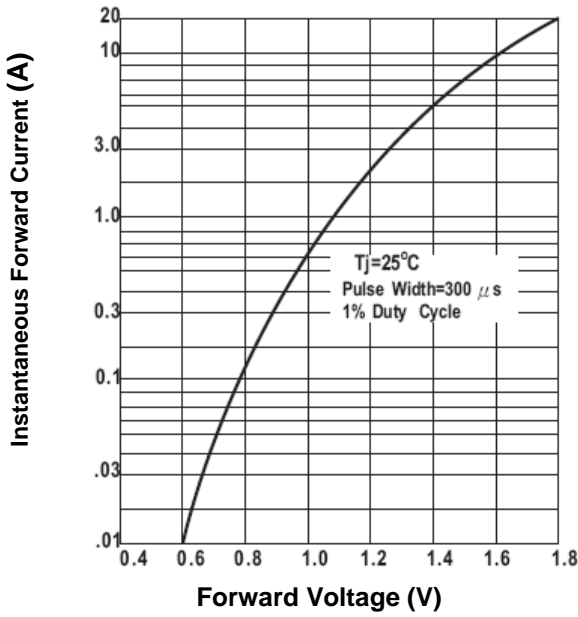
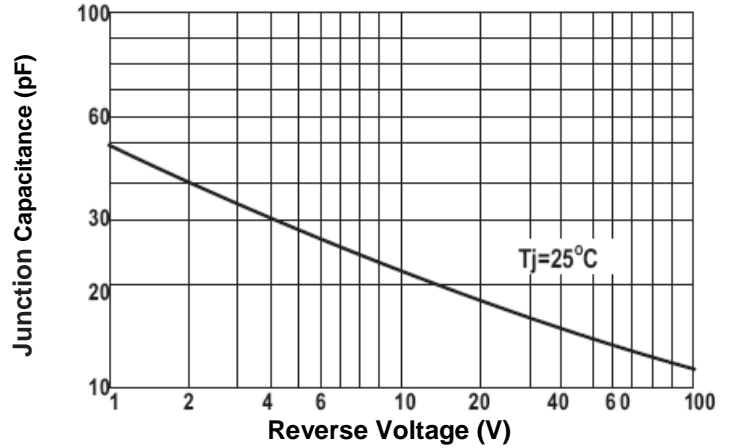
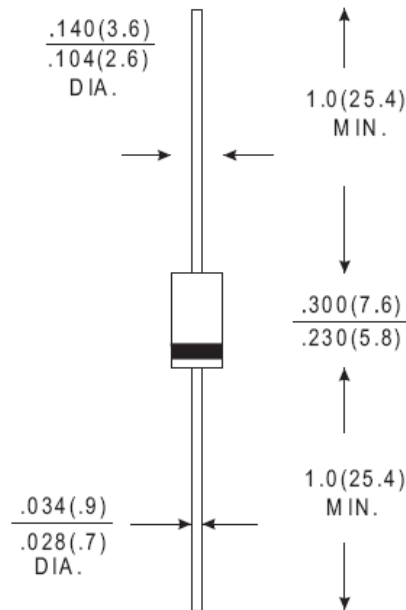


Fig.4- Typical Junction Capacitance



### Dimensions in inches (mm)



DO-15



Rev. B/AH 2008-04-29

## 1.5A Fast Recovery Rectifier

TF151 - TF157/FR151 - FR157

### How to contact us:

#### US HEADQUARTERS

28040 WEST HARRISON PARKWAY, VALENCIA, CA 91355-4162

Tel: (800) TAITRON (800) 824-8766 (661) 257-6060

Fax: (800) TAITFAX (800) 824-8329 (661) 257-6415

Email: [taitron@taitroncomponents.com](mailto:taitron@taitroncomponents.com)

Http://[www.taitroncomponents.com](http://www.taitroncomponents.com)

#### TAITRON COMPONENTS MEXICO, S.A .DE C.V.

BOULEVARD CENTRAL 5000 INTERIOR 5 PARQUE INDUSTRIAL ATITALAQUIA, HIDALGO C.P.  
42970 MEXICO

Tel: +52-55-5560-1519

Fax: +52-55-5560-2190

#### TAITRON COMPONETS INCORPORATED E REPRESENTAÇÕES DO BRASIL LTDA

RUA DOMINGOS DE MORAIS, 2777, 2.ANDAR, SALA 24 SAÚDE - SÃO PAULO-SP 04035-001 BRAZIL

Tel: +55-11-5574-7949

Fax: +55-11-5572-0052

#### TAITRON COMPONETS INCORPORATED, SHANGHAI REPRESENTATIVE OFFICE

METROBANK PLAZA, 1160 WEST YAN' AN ROAD, SUITE 1503, SHANGHAI, 200052, CHINA

Tel: +86-21-5424-9942

Fax: +86-21-5424-9931