

FR8206 18V, 3A, 500KHz Synchronous Step-Down DC/DC Converter

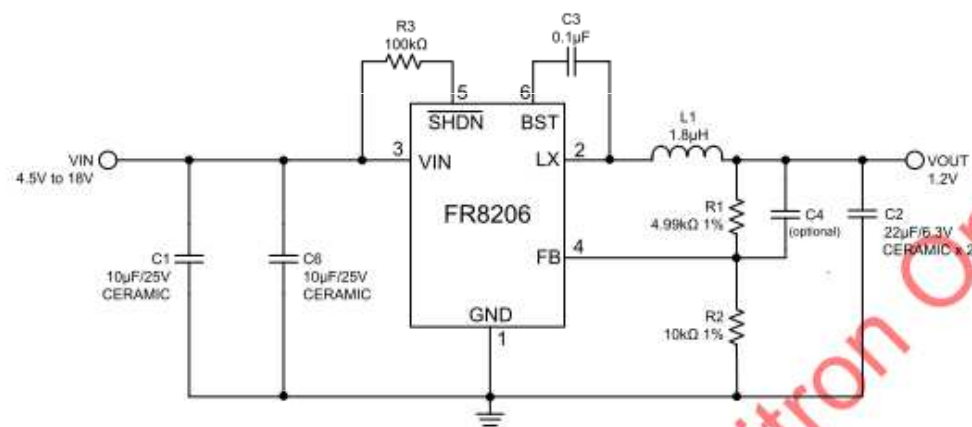
FEATURES

- Low-Rds(on) Power MOSFET:110mΩ/60mΩ
- Internal Compensation Function
- Wide Input Voltage Range: 4.5V to 18V
- Adjustable Output Voltage Down to 0.8V
- 3A Output Current
- 500kHz Switching Frequency
- Soft-Start Time 1ms
- Cycle-by-Cycle Current Limit
- Hiccup Short Circuit Protection
- Over-Temperature Protection with Auto Recovery
- Input Under Voltage Lockout
- SOT-23-6 Package

PIN DESCRIPTION

NAME	SOT-23-6 / TSOT-23-6	DESCRIPTION
GND	1	Ground
LX	2	Power Switching Output
VIN	3	Power Supply Input
FB	4	Voltage Feedback Input
SHDN	5	Enable Input/Soft-Star
BST	6	High Side Gate Drive Boost

TYPICAL APPLICATION CIRCUIT



TYPICAL APPLICATION

- STB (Set-Top-Box)
- LCD Display, TV
- Distributed Power System
- Networking, XDSL Modem

PACKAGE

SOT-23-6

