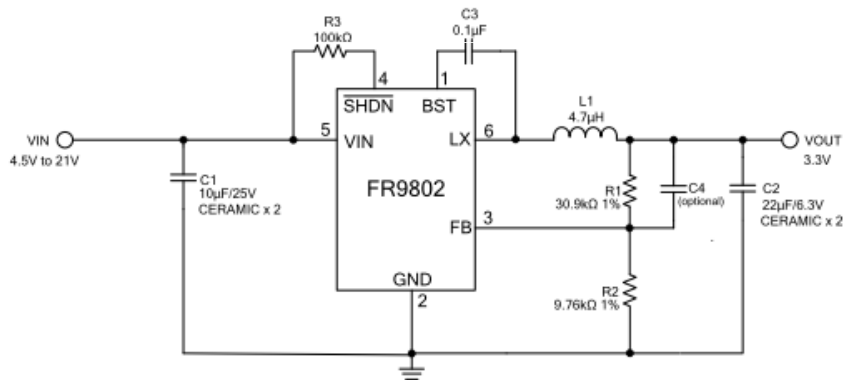


FR9802 21V, 1.5A, 1.2MHz Synchronous Step-Down DC/DC Converter

FEATURES

- High Efficiency up to 94%
- Low Rds(on) Integrated Power MOSFET
- Internal Compensation Function
- Wide Input Voltage Range: 4.5V to 21V
- Adjustable Output Voltage from 0.8V to 16.8V
- 1.5A Output Current
- Fixed 1.2MHz Switching Frequency
- Current Mode Operation
- Cycle-by-Cycle Current Limit
- Over-Temperature Protection with Auto Recovery
- Output Overvoltage Protection
- Under Voltage Lockout
- <1μA Shutdown Current

TYPICAL APPLICATION CIRCUIT



PIN DESCRIPTION

NAME	SOT23-6	DESCRIPTION
BST	1	High Side Gate Drive Boost
GND	2	Ground
FB	3	Voltage Feedback Input
SHDN	4	Enable Input
VIN	5	Power Supply Input
LX	6	Power Switching Output

TYPICAL APPLICATION

- STB (Set-Top-Box)
- LCD Display, TV
- Distributed Power System
- Networking, XDSL Modem

PACKAGE

S6 Package (SOT-23-6)

