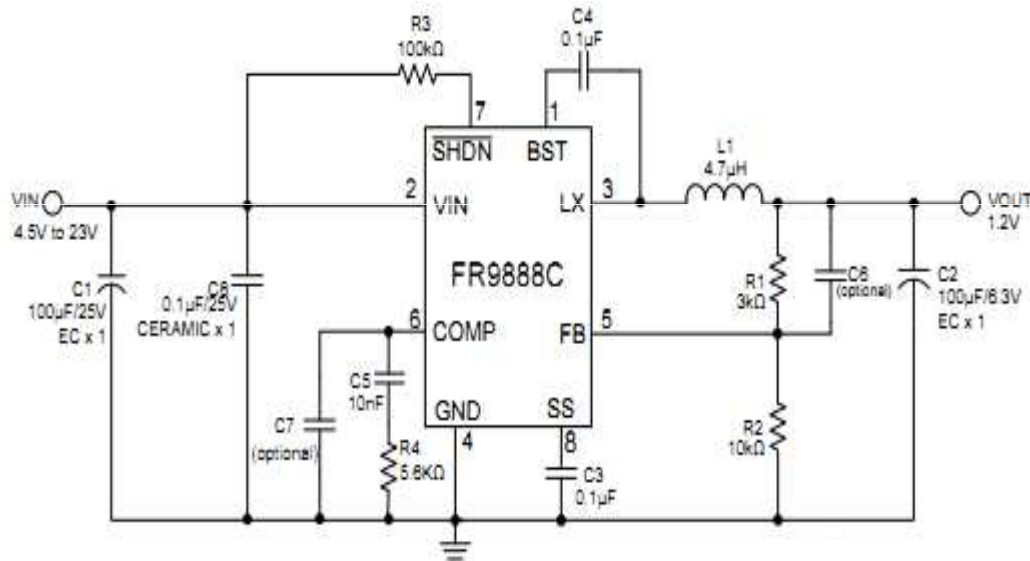


# FR9888C 23V, 3.5A, 340KHz Synchronous Step-Down DC/DC Converter

## FEATURES

- High Efficiency up to 96%
- Low Rds(on) Integrated Power MOSFET
- Wide Input Voltage Range: 4.5V to 23V
- Adjustable Output Voltage Range: 0.925V to 20V
- Fixed 340KHz Switching Frequency
- Adjustable Soft-Start
- Cycle-by-Cycle Current Limit
- Input Under Voltage Lockout
- Over-Temperature Protection with Auto Recovery
- <1μA Shutdown Current

## TYPICAL APPLICATION CIRCUIT



## TYPICAL APPLICATION

Set-Top-Box (STB)

Television

Distributed Power System

XDSL Modem

## PIN DESCRIPTION

NAME	SOP8	DESCRIPTION
<b>BST</b>	1	High Side Gate Drive Boost
<b>VIN</b>	2	Power Supply Input Pin
<b>LX</b>	3	Power Switching Output
<b>GND</b>	4,9	Ground
<b>FB</b>	5	Voltage Feedback Input
<b>COMP</b>	6	Compensation Pin
<b>SHDN</b>	7	Enable Input
<b>SS</b>	8	Soft-Start

## PACKAGE

SP Package (SOP-8 Exposed Pad)

