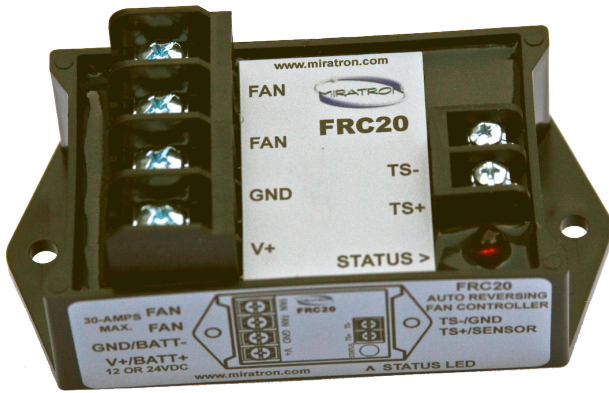




FRC20 Reversing fan controller

www.DataSheet4U.com

Automatically reverses fan to clean cooler



FEATURES

- Easy Installation**
 No setup or configuration required. Ideal for retrofit. Terminal blocks provided for easy wiring.
- Proportional soft-start**
 Slowly ramps up fan speed to reduce mechanical shock and increase motor life. Safety is improved by slowly starting fan.
- Solid State**
 High current, reliable solid-state output can drive up to 25-amp fan loads directly. No relays to fail.
- Auto Reversing**
 Automatically reverses fan direction to clear debris from cooler, improving efficiency.

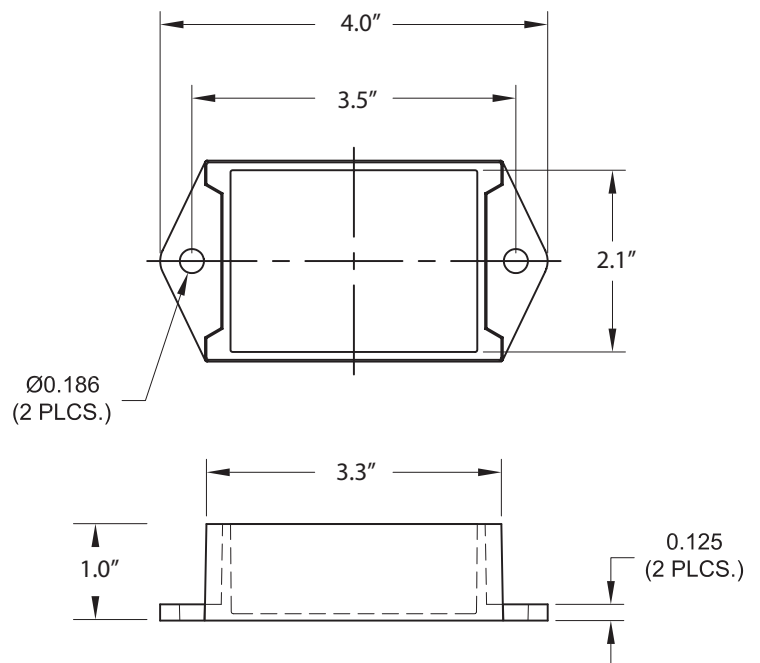
The FRC20 is an affordable, auto-reversing fan controller with soft-start to protect fan motors

OPERATION

When TS+ and TS- input terminals are electrically connected by either a switch or thermostat, the fan controller ramps fan on momentarily in reverse to clear debris from cooler. Fan is then allowed to spin down, and ramped back on in forward direction.

Consult factory for special requirements, or other programming options.

DIMENSIONS



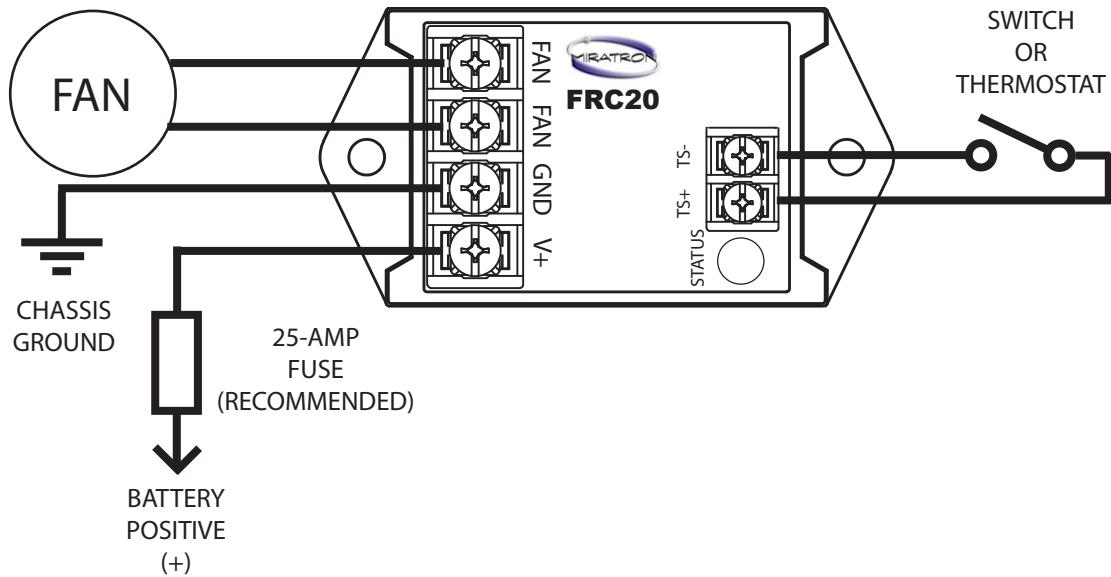
ORDERING INFORMATION

PART #	DESCRIPTION
FRC20	Fan Reversing Controller

SPECIFICATIONS

General	Power Requirement	12-24vdc, 100mA nominal + power to FAN
Outputs	Fan	Solid-State proportional output. 25-Amps Max.
Operation	Reverse time	10 seconds
	Ramp on time	5 seconds
Input	TS+/TS-	Short together to energize fan
Dimensions	Overall	4.0" L x 2.1" W x 1" H
	Mounting	Hardware included.
Environmental	Sealing	Potted electronic module
	Storage	-40°C to 85°C
	Operating ambient temperature	-40°C to 50°C

WIRING



TERMINAL BLOCK LABELS:

- FAN + FAN OUTPUT, 25 AMPS MAX.
- FAN - FAN OUTPUT, 25 AMP MAX.
- GND CHASSIS GROUND / BATTERY NEG (-)
- V+ 12/24V BATTERY POS (+)

- TS+ THERMOSTAT INPUT (+)
- TS- THERMOSTAT INPUT (-)