

DIODE MODULE (F.R.D.)

FRD/FDS100BA60

TOP



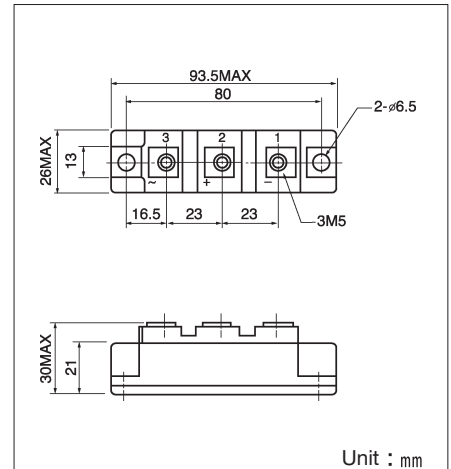
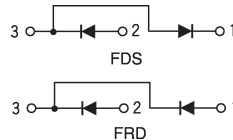
UL;E76102 (M)

FRD (FDS)100BA is a high speed dual diode module designed for high power switching application. FRD (FDS)100BA is suitable for high frequency application requiring low loss and high speed control.

- High Speed $t_{rr} \leq 100\text{ns}$
- $I_{F(AV)}$ 100A (each device)
- Isolated mounting construction.
- High Surge Capability

(Applications)

Switching Power Supply, Inverter Welding Power Supply
Power Supply for Telecommunication



Unit : mm

Maximum Ratings

(T_j=25°C)

Symbol	Item	Ratings	Unit
V _{RRM}	Repetitive Peak Reverse Voltage	600	V
V _{R(DC)}	D.C. Reverse Voltage	480	V

Symbol	Item	Conditions	Ratings	Unit	
I _F	Forward Current	D.C. T _c : 94°C	100	A	
I _{FSM}	Surge Forward Current	1/2 cycle, 60Hz, peak value, non-repetitive	2000	A	
I _t	I _t	Value for One cycle of surge current	16700	A ² S	
T _j	Operating Junction Temperature		-40~+150	°C	
T _{stg}	Storage Temperature		-40~+125	°C	
V _{iso}	Isolation Breakdown Voltage (R.M.S.)	A.C. 1 minute	2500	V	
	Mounting Torque	Mounting (M6)	Recommended Value 2.5~3.9 (25~40)	4.7 (48)	Nm (kgf·cm)
		Terminal (M5)	Recommended Value 1.5~2.5 (15~25)	2.7 (28)	
	Mass		170	g	

Electrical Characteristics

Symbol	Item	Conditions	Ratings	Unit
I _{RRM}	Repetitive Peak Reverse Current, max.	V _R =V _{RRM} , T _j =125°C	100	mA
V _{FM}	Forward Voltage Drop, max.	Forward current 100A, Inst. measurement	1.3	V
R _{th(j-c)}	Thermal Impedance, max.	Junction to case	0.4	°C/W
t _{rr}	Reverse Recovery Time, max.	I _F =100A, di/dt=-100A/μs	100	ns

